

SUBMITTAL FORM

Submittal No: 24-08110-01

Date submitted by Contractor to A/E: 03/25/2021

CONTRACTOR'S SUBMITTAL: (Submit items from only one section of Specifications at a time on this form.)

PROJECT Sylvania Heights Elementary - GOB Project MDCPS Project No: 01885800

Specification Section: 08110 Section Title: Doors and Frames

Description of item: Doors and Frames

Name of Producer: Quality Engineered Products

Name of Subcontractor: JRT Construction, Co.

Contractor's Certification: This submittal complies with the Construction Documents and has been coordinated with the rest of the Work

This submittal is a proposed Substitution (Substitution Request Form must be submitted to the A/E for Board Approval)


Signature of Contractor's officer


Carlos R. Tarafa 03/25/2021
Print name of Contractor's officer Date

Project Manager
Officer's title

J.R.T. Construction, Co.
Contractor's firm name

ACTION SUBMITTALS

	<u>Quantity</u>	<u>Submittal (require approval or other action)</u>
Product data attached	<u>1</u>	<u>Reviewed</u>
Shop drawings attached	<u>0</u>	<u>N/A</u>
Accompanying sample(s)	<u>0</u>	<u>N/A</u>
Design or calculations	<u>0</u>	<u>N/A</u>
Statement of qualifications	<u>0</u>	<u>N/A</u>
Warranty Sample	<u>0</u>	<u>N/A</u>
Other item(s)	<u>0</u>	<u>N/A</u>

SHOP DRAWING REVIEW
J.R.T. CONSTRUCTION, CO.
 THIS WILL CONFIRM THAT THIS SUBMISSION WAS REVIEWED PRIOR TO TRANSMISSION TO THE A/E APPROVAL OF THIS SUBMISSION REMAINS THE RESPONSIBILITY OF THE A/E. THIS STAMP SHALL NOT BE CONSTRUED AS RELIEVING THE SUBCONTRACTOR/VENDOR OF THE RESPONSIBILITY FOR COMPLYING FULLY WITH THE CONTRACT DOCUMENTS.
 BY:  DATE: 03/25/2021

A/E ACTION:

REMARKS: _____

Signature of A/E

Print name of A/E

Date

A/E Title

A/E firm name

SHOP DRAWING REVIEW
 (The space below is for the A/E's submittal action stamp)

Approved Revise and Resubmit
 Approved as Noted Rejected

Approval is only for general conformance with the design concept of the Project and the information given in the Contract Documents. Contractor is responsible for dimensions to be confirmed and correlated at the job site; information that pertains solely to the fabrication process or to the means and methods of construction; coordination of the work of all trades; and performing all work in a safe and satisfactory manner. This approval does not modify Contractor's duty to comply with the Contract Documents.

SR Architects, P.A.
 7469 SW 50th Terrace, Miami, FL 33155
 Tel. 305-661-8572 / Fax. 305-661-8573

Date: 03/26/2021 By Ernesto L. Santos, AIA

Field verify quantities, size, location & door swings.

PROJECT: SYLVANIA HEIGHTS ELEMENTARY SCHOOL - GOB PROJECT NO. 01885800
PROJECT NO.: 2018-50-04

Page 1 of 1
Date: March 25, 2021

TRANSMITTAL	To: <u>J.R.T. CONSTRUCTION, CO.</u>	Date: <u>March 25, 2021</u>	
A	From: <u>Quality Engineered Products, Inc.</u> <small>(VENDOR)</small>	By: <u>Andrew Bernstein</u>	<input type="checkbox"/> Resubmission
Quantity	Description & Manufacturer	Spec Section/ Paragraph/ Drawing No./ Detail	
1 Digital Copy	Quality Engineered Products Shop Drawing:	Section 08110 - Doors & Frames	
	General Notes for Door	<p style="color:red; font-weight:bold; margin:0;">SHOP DRAWING REVIEW</p> <p style="color:red; font-weight:bold; margin:0;">J.R.T. CONSTRUCTION, CO.</p> <p style="color:red; font-size:0.8em; margin:0;">THIS WILL CONFIRM THAT THIS SUBMISSION WAS REVIEWED PRIOR TO TRANSMISSION TO THE A/E</p> <p style="color:red; font-size:0.8em; margin:0;">APPROVAL OF THIS SUBMISSION REMAINS THE RESPONSIBILITY OF THE A/E. THIS STAMP SHALL NOT BE CONSTRUED AS RELIEVING THE SUBCONTRACTOR/ VENDOR OF THE RESPONSIBILITY FOR COMPLYING FULLY WITH THE CONTRACT DOCUMENTS.</p> <p style="margin:0;">BY: DATE: <u>03/25/2021</u></p>	
	Door Construction Details		
	Door & Frame Schedule		
	Frame Anchors and Frame Details		
	NOA #19-050703 - Flush with Panic		
	NOA #19-0507-04 - Glazed interior doors.		
<input checked="" type="checkbox"/> Submitted for review and approval		<input type="checkbox"/> Substitution involved - Substitution request attached	
<input type="checkbox"/> Resubmitted for review and approval		<input type="checkbox"/> If substitution involved, submittal includes point-by-point comparative data or preliminary details	
<input checked="" type="checkbox"/> Complies with contract requirements		<input type="checkbox"/> Items included in submittal will be ordered immediately upon receipt of approval	
<input type="checkbox"/> One copy retained by sender		<input type="checkbox"/>	

TRANSMITTAL	From: <u>J.R.T. CONSTRUCTION, CO.</u>	By: <u>Carlos R. Tarafa</u>	Date Transmitted by JRT: <u>3/25/2021</u>
B	To: <u>SR Architects, P.A.</u>	Attn: <u>Ernesto Santos</u>	Date Received by GMA: _____
COMMENTS:			

TRANSMITTAL	From: <u>SR Architects, P.A.</u>	By: <u>Ernesto Santos</u>	Date Transmitted by GMA: _____
C	To: <u>J.R.T. CONSTRUCTION, CO.</u>	Attn: <u>Carlos R. Tarafa</u>	Date Received by JRT: _____
<input type="checkbox"/> Approved	<input type="checkbox"/> Revise/Resubmit		
<input type="checkbox"/> Approved as noted	<input type="checkbox"/> Rejected/Resubmit		
<input type="checkbox"/> Not subject to review	<input type="checkbox"/> Approved as noted/Resubmit		
<input type="checkbox"/> No action required	<input type="checkbox"/> Submission incomplete/Resubmit		
<input type="checkbox"/> Other remarks on above submittal	<input type="checkbox"/> One copy retained by sender		
COMMENTS:			

TRANSMITTAL	From: <u>J.R.T. CONSTRUCTION, CO.</u>	By: <u>Carlos R. Tarafa</u>	Date Transmitted by JRT: _____
D	To: <u>Quality Engineered Products, Inc.</u>	Attn: <u>Andrew Bernstein</u>	Date Received by SUB: _____
COMMENTS:			

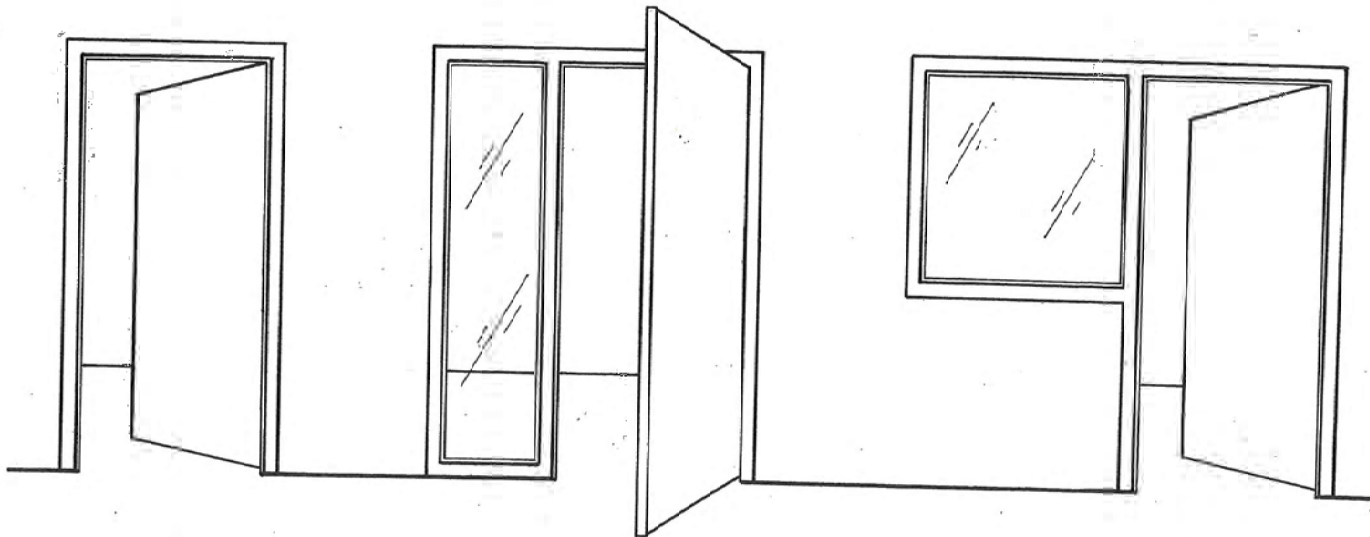
QUALITY

ENGINEERED

PRODUCTS

COMPANY, INC.

MANUFACTURERS OF STEEL DOORS AND FRAMES



JOB:

(Renovation)

Sylvania Heights Elementary

LOCATION:

West Miami, FL

ARCHITECT:

SR Architects -

CONTRACTOR:

JRT Construction

DRAWN BY: A. Benstein

DATE: 3/15/2021

SHEET 1 OF 7

JOB NUMBER: 21-131

FRAME MATERIAL : EXTERIOR FRAMES TO BE 1/2ga STEEL. INTERIOR FRAMES TO BE 1/2ga STEEL.
 DOOR MATERIAL : EXTERIOR DOORS TO BE 1/2ga STEEL. INTERIOR DOORS TO BE 1/2ga STEEL.

**Exterior Orange Like paint for 0-1 Security Switch *See Page 3 of 73*

GENERAL NOTES

All hollow metal to be A60 Galvanized Material

Hollow metal doors and frames must be stored under cover and upright.

Doors and frames shall be bonderized and receive one coat of grey rust inhibitive zinc chromate or zinc oxide air dried primer, 2 mils thick.

Frames will be supplied with three anchors per jamb, base anchors, and removable spreader bars to insure construction during shipment. Labeled anchors will be welded in jambs. All masonry or concrete walls will be supplied with plaster guards.

All frames will be punched for three rubber silencers per strike jamb for single openings and two per head for double openings.

Due to shipping limitations all frames exceeding 13'-0" in height or length will be spiced and shipped in sections for field assembly by general contractor

Frame profiles shall be press brake formed and sharp with heads and jambs accurately mitered, ~~welded~~ ^{**Fully*} and ground smooth.

Frames receiving glass shall be provided with screw-on counter sunk stops (3/4" x 5/8") of same material and finish as frames.

Inner structure of doors shall be rigidly reinforced with 20 gauge continuous vertical "Z" stiffeners or ~~polyethylene at the option of manufacture.~~

Doors to be manufactured with "seamless edge" type construction. *{ See Page 3 of 73 }*

Tops and bottoms are reinforced by channels the full width of the doors. The tops of all exterior doors shall be closed flush by an inverted channel.

All window kits and metal louvers are manufactured by Quality Engineered Products. Louvers shall be "Z" type with 50% free air. Fire-rated louvers are fusible link design.

Hinge reinforcements for doors and frames will be seven (7) gauge. All other reinforcements shall be as specified.

Hardware locations to be manufactured standard, unless otherwise specified.

Fabrication of required material for this project will proceed only after receipt of signed approval by the Architect. Also, a signed, approved copy of the finished hardware schedule and all necessary hardware templates will be required.

No alterations or field work shall be performed without prior written approval from Quality.

Doors and frames shall be reinforced, drilled and tapped for morticed hardware in accordance with the finish hardware schedule. Function holes shall be provided at the factory for locksets and exit devices. Trim mounting holes for hardware are to be drilled and tapped in the field by others.

All fire rated assemblies must be self-latching and self-closing. Any assembly which does not meet this criteria by the approved hardware schedule will be manufactured as label construction and will not bear the fire label.

Quality Engineered Products is not responsible for any errors resulting from use of these drawings by other trades.

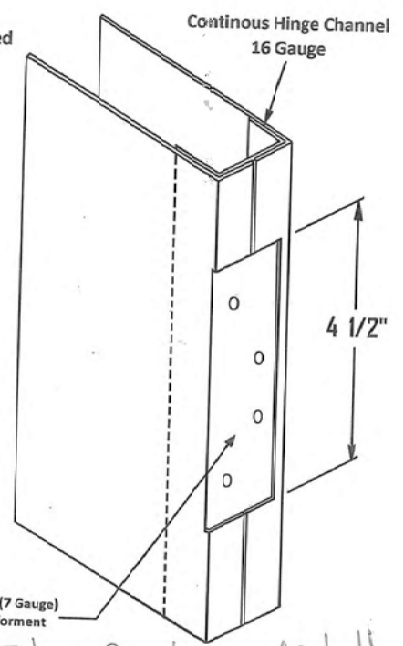
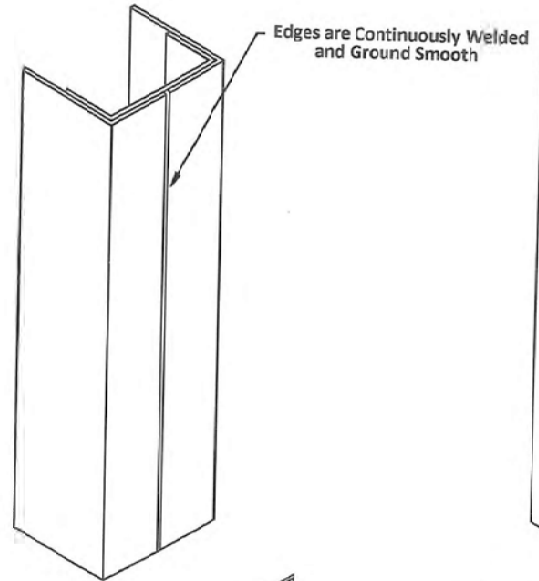
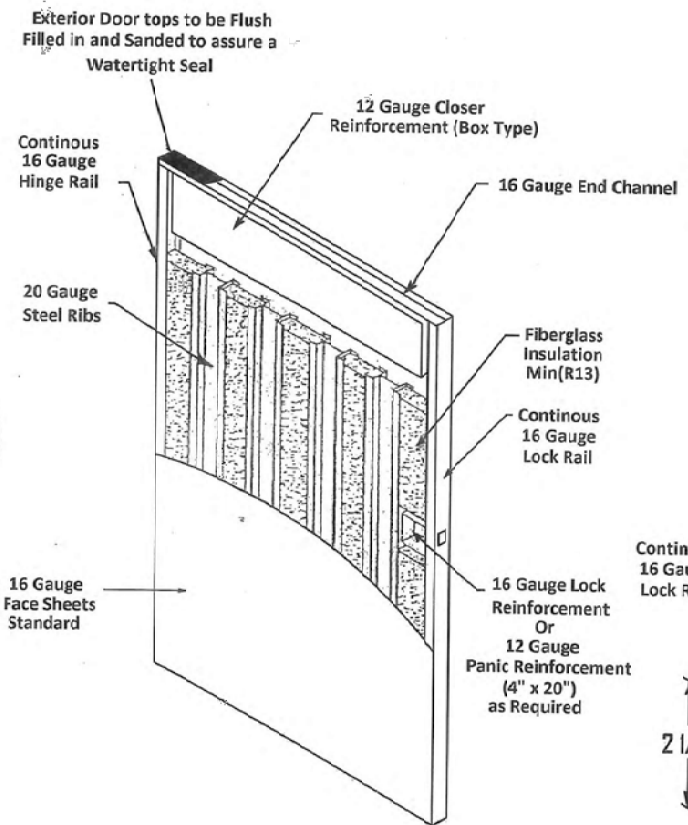
Tentative date for first shipment of door frames is 10 to 15 working days after receipt of approved shop drawings, approved hardware schedule and hardware templates.

All doors and frames shall be reinforced for surface mounted hardware in accordance with the finish hardware schedule. Drilling and tapping for attaching of surface mounted hardware shall be done in the field by others.

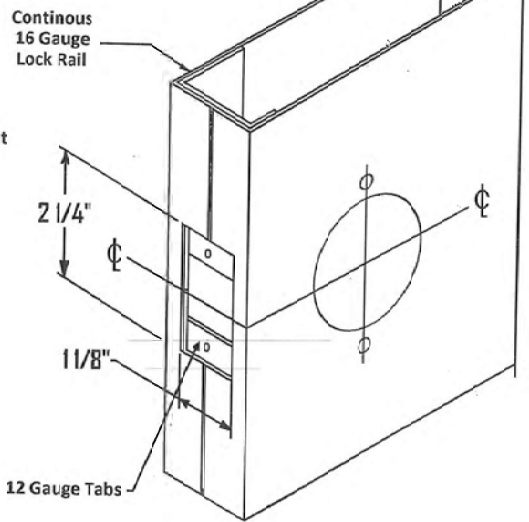
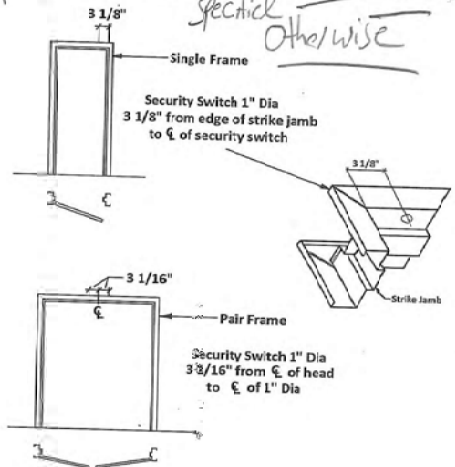
Hollow metal should be painted with a flat or semi-gloss paint. Under no circumstances should steel stiffened hollow metal doors be painted with a high gloss enamel. We will not be responsible for any weld marks that are "Telegraphed" as a result of a high gloss enamel.

QUALITY ENGINEERED PRODUCTS COMPANY, INC.
 JOB: Sylvania Heights Elem
 LOCATION: West Miami, FL
 CUSTOMER: JTC Construction
 SHEET 2 OF 7
 DATE: 3/15/21

Door Construction Details
(Dade County Public Schools)



* Per Exterior Doors & Frames Only unless
Security Switch Preparation
Special otherwise



Meets or Exceeds Requirements of ANSI Specification A250.8 for Levels 3 and 4, Physical performance Level A, Model 1 and 2

QUALITY ENGINEERED PRODUCTS COMPANY, INC.

JOB: <i>Sylvan Heights Elem</i>	LOCATION: <i>West Miami, FL</i>	CUSTOMER: <i>JTC Construction</i>	
SHEET 3 OF 7			DATE: <i>3/15/21</i>

HC Architect: Please verify "All" Jamb Widths, Anchor Types, Elevations (Door Ears), Fire Ratings, Etc.

FROM	TO	ARCH. OPENING NUMBER	FRAME DATA								LABEL	DOOR DATA				REMARKS	QTY	SET
			QUANTITY	SERIES & GAUGE	HAND	OPENING SIZE	JAMB WIDTH	ANCHOR	ELEV.	PROFILE		QUANTITY	SERIES & GAUGE	TYPE	DOOR THK.			
Interior Circ 052	Classroom 001	101	1	16	RHR	3'x7'	5/8"	2	E	A		1	6	NL	1 3/4"	4" x 30"	01	01
	Classroom 002	102	1		LHC			2	E	A		1		NL	4" x 30"		01	01
	Classroom 002	103	1		RHR			2	E	A		1		NL	4" x 30"		01	01
	Classroom 001	104	1		LHC			2	E	A		1		NL	4" x 30"		01	01
	Classroom 004	105	1		LHC			2	E	A		1		NL	4" x 30"		01	01
	Classroom 003	106	1		RHR			2	E	A		1		NL	4" x 30"		01	01
	Classroom 004	107	1		RHR			2	E	A		1		NL	4" x 30"		01	01
	Classroom 003	108	1		LHC			2	E	A		1		NL	4" x 30"		01	01
	Classroom 006	109	1		LHC			2	E	A		1		NL	4" x 30"		01	01
	Classroom 005	110	1		RHR			2	E	A		1		NL	4" x 30"		01	01
	Classroom 006	111	1		RHR			2	E	A		1		NL	4" x 30"		01	01
	Classroom 005	112	1		LHC			2	E	A		1		NL	4" x 30"		01	01
	Classroom 008	113	1		LHC			2	E	A		1		NL	4" x 30"		01	01
	Classroom 007	114	1		RHR			2	E	A		1		NL	4" x 30"		01	01
	Classroom 003	115	1		RHR			2	E	A		1		NL	4" x 30"		01	01
↓	↓	Classroom 007	116	1	LHC			2	E	A		1		NL	4" x 30"		01	01
New Mac RR 011	Custodial 011A	118	1		LHC			3	E	A		1		BL	8" x 8"	P2 Wall	02	01
Interior Circ 051	Classroom 010	119	1		LHC			3	E	A		1		NL	4" x 30"	*Revised R.O. = 40 1/2 x 86 1/4	01	01
Interior Circ 051	Classroom 010	120	1		RHR			3	E	A		1		NL	4" x 30"		01	01
Interior Circ 051	Classroom 012	121	1		LHC			2	E	A		1		NL	4" x 30"		01	01
New Mac RR 009	Custodial 009A	122	1		LHC			3	E	A		1		BL	8" x 8"	P2 Wall	02	01
Interior Circ 051	Classroom 012	124	1		RHR			2	E	A		1		NL	4" x 30"	*Revised R.O. = 40 1/2 x 86 1/4	01	01
	Classroom 014	123	1		LHC			2	E	A		1		NL	4" x 30"		01	01
	Classroom 015	126	1		RHR			2	E	A		1		NL	4" x 30"		01	01
	Classroom 015	127	1		LHC			2	E	A		1		NL	4" x 30"		01	01
	Classroom 014	128	1		RHR			2	E	A		1		NL	4" x 30"		01	01
	Classroom 017	129	1		LHC			2	E	A		1		NL	4" x 30"		01	01
	Classroom 016	130	1		RHR			2	E	A		1		NL	4" x 30"		01	01
↓	↓	Classroom 017	131	1	LHC			2	E	A		1		NL	4" x 30"		01	01

QUALITY ENGINEERED PRODUCTS COMPANY, INC.

JOB: *Sylvania High School*
 LOCATION: *West Miamit*
 CUSTOMER: *JRT Construction*

SHEET *4* OF *7*
 DATE: *3/15/21*

AC/Architect: Please verify "All" Jamb Widths, Anchor Types, Elevations & Door Frames, Fire Ratings, Etc.

FROM	TO	ARCH. OPENING NUMBER	FRAME DATA							LABEL	DOOR DATA				REMARKS	QTY	MDW. SET	
			QUANTITY	SERIES & GAUGE	HAND	OPENING SIZE	JAMB WIDTH	ANCHOR	ELEV.		PROFILE	QUANTITY	SERIES & GAUGE	TYPE				DOOR THK.
Interior Circ. 051	Classroom	016	132	16	RHR	3'x7'	5 7/8"	2	EI	A		16	NL	1 3/4"	4'x30"	*All Corridor Doors @ 45° Swing	01	
	Classroom	019	133		RHR			2	EI	A			NL			*Legend R0 = 70% x 20 1/4"	01	
	Classroom	018	134		LHR			2	EI	A			NL				01	
	Classroom	019	135		LHR			2	EI	A			NL				01	
	Classroom	018	136		RHR			2	EI	A			NL				01	
	Classroom	021	137		RHR			2	EI	A			NL				01	
	Classroom	020	138		LHR			2	EI	A			NL				01	
	Classroom	021	139		LHR			2	EI	A			NL				01	
	Classroom	020	140		RHR			2	EI	A			NL				01	
	Classroom	023	141		RHR			2	EI	A			NL				01	
	Lounge	022	142		LHR			2	EI	A			NL				01	
	Classroom	023	143		LHR			2	EI	A			NL				01	
	Vault	024	144		RHR			2	EI	A			NL				01	
Interior Circ. 051	Classroom	029	145		RHR			2	EI	A			NL				02	
	Workroom	032	146		LHR			2	EI	A			NL				01	
	Classroom	029	147		LHR			2	EI	A			NL				07	
	Classroom	031	148		RHR			2	EI	A			NL				01	
	Secretary	032	149		LHR			2	EI	A			NL				01	
	Classroom	031	150		LHR			2	EI	A			NL				04	
	Classroom	033	151		RHR			2	EI	A			NL				01	
	Classroom	033	152		LHR			2	EI	A			NL				01	
	Planning	035	153		RHR			2	EI	A			NL				01	
	Classroom	036	154		LHR			2	EI	A			NL				01	
	Planning	037	155		LHR			2	EI	A			NL				01	
	Classroom	036	157		RHR			2	EI	A			NL				01	
	Art E.J.	038	158		LHR			2	EI	A			NL				01	
	Workshop	045	160		LH			2	EI	A			NL	8'x8'			01	
	Art E.J.	038	161		LHR			2	EI	A			NL	4'x30"			01	
	Drains	045	162		RHR			2	EI	A			NL	4'x30"	CS		06	

QUALITY ENGINEERED PRODUCTS COMPANY, INC.

JOB: S. Maria Heights Eten
 LOCATION: West Miami FL
 CUSTOMER: J.T. Construction

SHEET 5 OF 7
 DATE: 3/15/21

Left Hand

FROM	TO	ARCH. OPENING NUMBER	FRAME DATA							LABEL	DOOR DATA					REMARKS	HDW. SET		
			QUANTITY	SERIES	GAUGE	HAND	OPENING SIZE	JAMB WIDTH	ANCHOR		ELEV.	PROFILE	QUANTITY	SERIES	GAUGE			TYPE	DOOR THK.
Interior Cir. 050	Dining	043	163	1	16	RHR		6'x7'	5 7/8	2	E2	A	PR	16	NL	1 3/4	4'x30"	CS	05
Interior Cir. 050	Dining	043	164	1	16	LHR		3'x7'	5 7/8	2	E1	A	1	NL		4'x30"	CS	06	
Interior Cir. 050	Music	040	165	1	16	LHR			5 7/8	2	E1	A	1	NL		4'x30"	145°	01	
Interior Cir. 050	Music	040	166	1	16	RHR			5 7/8	2	E1	A	1	NL		4'x30"	145°	01	
Food Service 045	Dining	043	167	1	16	LHR		6'x7'	5 7/8	2	E1	A	1	NL		4'x30"	*Verify Handing?	01	
Ext./New Concrete	Mechanical	045A	168	1	16	RHR		6'x7'	5 7/8	2	E2	A	PR	16	NL	1 3/4	4'x30"	NOA#19-0507.03	05
Custodial 045	Elec.	045B	169	1	16	RHR		3'x7'	5 7/8	3	E1	A	45	1	F	1		NOA#19-0507.03	02
Interior Cir. 045	Dining	043	0435	1	16	RHR		6'x7'	5 7/8	2	E2	A	PR	16	NL	1 3/4	4'x30"		08
Exterior	Classroom	002	002	1	16	RHR		3'x7'	5 7/8	2	E1	A	1	16	NL	1 3/4	4'x30"	NOA#19-0507.04	09

QUALITY ENGINEERED

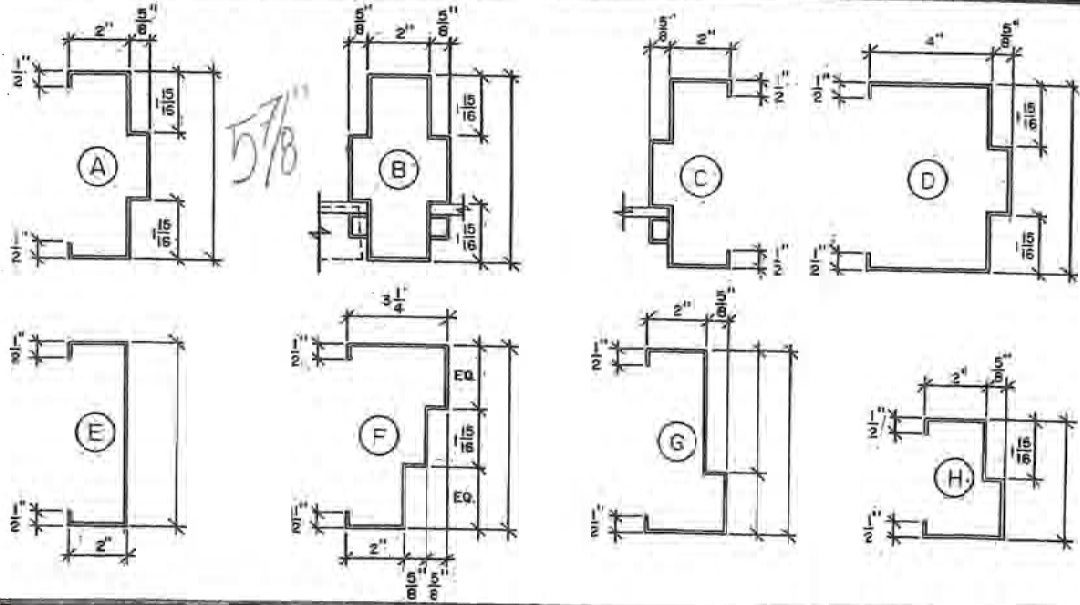
PRODUCTS

COMPANY, INC.

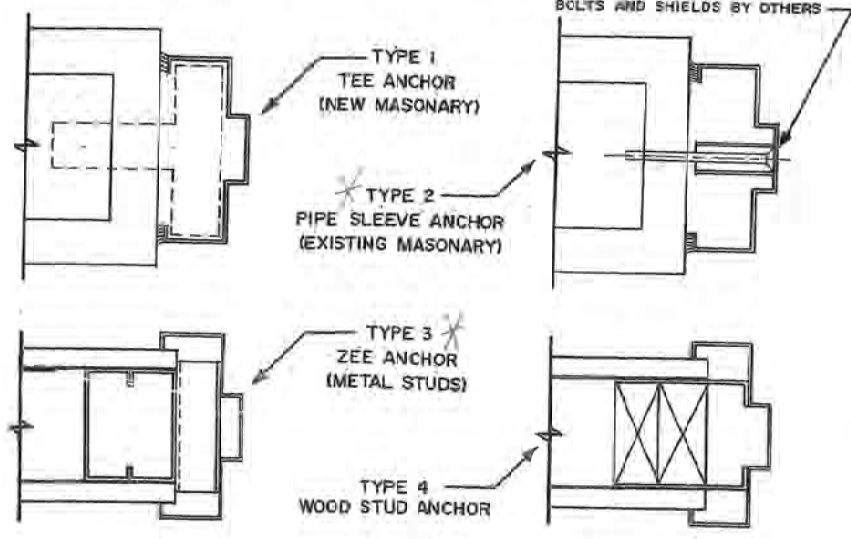
JOB: SWANIA HEIGHTS
 LOCATION: West Memphis
 CUSTOMER: JCT Construction

SHEET 6 OF 7
 DATE: 3/15/21

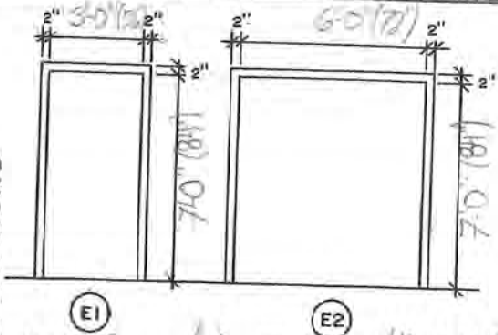
FRAME PROFILES



FRAME ANCHORS



FRAME ELEVATIONS

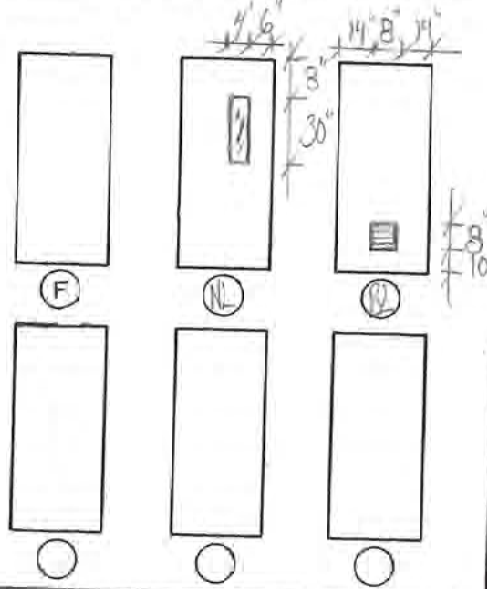


*R.O. Required Per E1 = 40 1/2" x 86 1/4"
 E2 = 76 1/2" x 86 1/4"

GENERAL NOTE: QUALITY RESERVES THE RIGHT AT OUR DISCRETION TO ADJUST VISION LIGHT AND LOUVER DIMENSIONS AS REQUIRED TO MEET FIRE LABEL AND PRODUCT APPROVAL REQUIREMENTS, AND TO AVOID INTERFERING WITH INSTALLATION AND FUNCTION OF EXIT DEVICES, CLOSERS AND LOCKSETS.

All Openings to be V.I.F.

DOOR ELEVATIONS



QUALITY ENGINEERED PRODUCTS COMPANY, INC.

JOB: *Sylvania High School*
 LOCATION: *West Miami, FL*
 CUSTOMER: *JIT Construction*

SHEET 7 OF 7
 DATE: *3/15/01*



DEPARTMENT OF REGULATORY AND ECONOMIC RESOURCES (RER)
BOARD AND CODE ADMINISTRATION DIVISION

NOTICE OF ACCEPTANCE (NOA)

MIAMI-DADE COUNTY
PRODUCT CONTROL SECTION
11805 SW 26 Street, Room 208
Miami, Florida 33175-2474
T (786) 315-2590 F (786) 315-2599
www.miamidade.gov/economy

Quality Engineered Products Co., Inc.
4506 Quality Lane
Tampa, FL 33634

SCOPE:

This NOA is being issued under the applicable rules and regulations governing the use of construction materials. The documentation submitted has been reviewed and accepted by Miami-Dade County RER -Product Control Section to be used in Miami Dade County and other areas where allowed by the Authority Having Jurisdiction (AHJ).

This NOA shall not be valid after the expiration date stated below. The Miami-Dade County Product Control Section (In Miami Dade County) and/or the AHJ (in areas other than Miami Dade County) reserve the right to have this product or material tested for quality assurance purposes. If this product or material fails to perform in the accepted manner, the manufacturer will incur the expense of such testing and the AHJ may immediately revoke, modify, or suspend the use of such product or material within their jurisdiction. RER reserves the right to revoke this acceptance, if it is determined by Miami-Dade County Product Control Section that this product or material fails to meet the requirements of the applicable building code.

This product is approved as described herein, and has been designed to comply with the Florida Building Code, including the High Velocity Hurricane Zone.

DESCRIPTION: Series "16GACOSD-1" Outswing 16 ga Flush Commercial Steel Doors w/wo Panic Exit Device-Impact

APPROVAL DOCUMENT: APPROVAL DOCUMENT: Drawing No. 16GACOSD-1, titled "16 GA Commercial Outswing Steel Door", sheets 1 through 10 of 10, prepared by manufacturer, dated 05/25/04 and last revised on 04-30-19, signed and sealed by Cody Davis, P. E., bearing the Miami-Dade County Product Control Revision stamp with the Notice of Acceptance number and expiration date by the Miami-Dade County Product Control Section.

MISSILE IMPACT RATING: Large and Small Missile Impact Resistant

Limitations:

1. See Design Pressure Ratings VS lock types Vs configurations in sheets 1, 5 and 10.
2. Double Door w/HCF 9300 Rim with 1300 removable mullion (sheet 5) is rated at +80/-65 PSF.
3. Doors are 16 ga (min .063" thk) with min CS Tensile yield strength $F_y = 46.3$ ksi and Tensile ultimate strength $F_u = 52.1$ Ksi and SS Tensile yield strength $F_y = 50.5$ ksi and Tensile ultimate strength $F_u = 98.5$ Ks
4. EPS Polystyrene by Dyplast (former Apache Products), having current NOA.

LABELING: Each unit shall bear a permanent label with the manufacturer's name or logo, city, state and series and following statement: "Miami-Dade County Product Control Approved", noted herein.

RENEWAL of this NOA shall be considered after a renewal application has been filed and there has been no change in the applicable building code negatively affecting the performance of this product.

TERMINATION of this NOA will occur after the expiration date or if there has been a revision or change in the materials, use, and/or manufacture of the product or process. Misuse of this NOA as an endorsement of any product, for sales, advertising or any other purposes shall automatically terminate this NOA. Failure to comply with any section of this NOA shall be cause for termination and removal of NOA.

ADVERTISEMENT: The NOA number preceded by the words Miami-Dade County, Florida, and followed by the expiration date may be displayed in advertising literature. If any portion of the NOA is displayed, then it shall be done in its entirety.

INSPECTION: A copy of this entire NOA shall be provided to the user by the manufacturer or its distributors and shall be available for inspection at the job site at the request of the Building Official.

This NOA **revises & renews** NOA # 17-1102.02 and consists of this page 1 and evidence pages E-1, E-2 & E-3, as well as approval document mentioned above.

The submitted documentation was reviewed by **Ishaq I. Chanda, P.E.**



9/9/19

NOA No. 19-0507.03
Expiration Date: January 30, 2024
Approval Date: May 16, 2019
Page 1

NOTICE OF ACCEPTANCE: EVIDENCE SUBMITTED

I. Evidence submitted under previous approvals

A. DRAWINGS

1. Manufacturer's die drawings and sections (Submitted under files below)
2. Drawing No. 16GACOSD-1, titled "16 GA Commercial Outswing Steel Door", sheets 1 through 10 of 10, prepared by manufacturer, dated 02/26/16, with Revision 4 dated 02/26/16, signed and sealed by Cody Davis, P. E.

B. TESTS (Submitted under file # 07-1017.09/04-0220.02)

1. Test reports on
 - 1) Air Infiltration Test, per FBC TAS 202-94
 - 2) Uniform Static Air Pressure Test, Loading per FBC, TAS 202.
 - 3) Water Resistance Test per FBC, TAS 202-94.
 - 4) Large Missile Impact Test per FBC, TAS 201-94
 - 5) Cyclic Wind Pressure Loading per FBC, TAS 203-94

Along with marked-up drawings & installation diagram of Commercial Steel Doors w /Panic devices, prepared by Certified Testing Laboratories Inc., Test Report No. **CTLA 1276W**, dated Nov. 11, 2004, signed and sealed by Ramesh Patel, P. E. (Note: This test report has been revised under Test Report No. **CTLA 1276WR**, re-issued on Feb 01, 2005 by Certified Testing Laboratories, signed and sealed by Ramesh Patel, P. E.)

Note: Additional addendum letter dated OCT 10th 2015 by Certified Testing Lab, issued to test report CTLA 1276W-R, signed by Ramesh Patel, P.E.

2. Test reports (Transferred from file # **04-0220.02**)
 - 1) Air Infiltration Test, per FBC TAS 202-94
 - 2) Uniform Static Air Pressure Test, Loading per FBC, TAS 202.
 - 3) Water Resistance Test per FBC, TAS 202-94.
 - 4) Large Missile Impact Test per FBC, TAS 201-94
 - 5) Cyclic Wind Pressure Loading per FBC, TAS 203-94
 - 6) Forced Entry Test, per FBC and TAS 202-94

Along with marked-up drawings and installation diagram of Steel Commercial Steel Doors, prepared by Certified Testing Laboratories Inc., Test Report No. **CTLA 114W**, dated December 09, 2003, signed and sealed by Ramesh Patel, P. E.

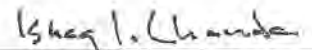
(Note: This test report has been revised by addendum letter dated May 26, 2004 & June 30, 2005, issued by Certified Testing Laboratories Inc.).

Along with marked-up drawings and installation diagram of Steel Commercial Doors, prepared by Certified Testing Laboratories Inc., Test Report No. **CTLA 403W**, dated 07/25/00, signed and sealed by Ramesh Patel, P. E

3. Additional test report **HTL-0050-1012-97** tested per FBC, TAS 202-94, issued by Hurricane testing laboratories, Inc. dated 10-16-98, signed and sealed by Timothy S. Marshall, P. E. (Transferred from file # 04-0220.02)

C. CALCULATIONS

1. Anchor verification calculations, dated 10/20/15 and revised on 05/31/16, prepared, signed and sealed Cody Davis, P.E.



Ishaq I. Chanda, P.E.

Product Control Unit Supervisor

NOA No. 19-0507.03

Expiration Date: January 30, 2024

Approval Date: May 16, 2019

Quality Engineered Products Co, Inc.

NOTICE OF ACCEPTANCE: EVIDENCE SUBMITTED

D. QUALITY ASSURANCE

- 1 Miami Dade Department of Regulatory and Economic Resources (RER)

E. MATERIAL CERTIFICATIONS (Submitted under file # 07-1017.09/#04-0823.05)

1. Tensile test report prepared by Certified Testing Laboratories Inc., Test Report No. **CTL 1023J (CTLA114W)**, tested per ASTM E-A370-97, dated December 02,2003, signed and sealed by Ramesh Patel, P. E.
2. Notice of Acceptance No. **11-0926.07** issued to Dyplastic Products, LLC (former Apache Products Co) for “EPS-Expanded Polystyrene Insulation”, expiring on 01/11/2017.

F. STATEMENTS

1. Statement letter of conformance to FBC 2014 (5th Edition) and “no financial interest”, issued, prepared, signed, sealed and dated 05/31/16 by Cody Davis, P. E.
2. Statement letter dated 05/31/16 of successor engineer adopting as his own, another engineer’s work per FAC, Rule Chapter 61G15-27, issued by Master Consulting Engineers, Inc., both signed and sealed by Cody Davis, P. E
3. Statement letter of compliance, as a part of the above referenced test reports.

G. OTHER

1. This **revises NOA # 12-0921.12**, expiring January 30, 2018
2. Previous associated files with this NOA(s) are # **07-1017.09, 04-0220.02 & # 02-1011.05**.
3. Test Proposal by Q. E. P. dated September 19, 2002, approved by BCCO.

2. Evidence submitted under file #17-1102.02.

A. DRAWINGS

1. Drawing No. **16GACOSD-1**, titled “16 GA Commercial Outswing Steel Door”, sheets 1 through 10 of 10, prepared by manufacturer, dated 05/25/04 and last revised on 07/08/2016, signed and sealed by Cody Davis, P. E.

B. Test

1. None.

C. CALCULATIONS

1. None.

D. QUALITY ASSURANCE

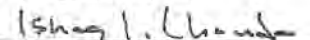
1. Miami Dade Department of Regulatory and Economic Resources (RER).

E. MATERIAL CERTIFICATIONS

1. Notice of Acceptance No. **17-1207.05** issued to Dyplastic Products, LLC (former Apache Products Co) for “E& R-Board Expanded Polystyrene rigid Foam Insulation”, expiring on 01/11/2022.

F. STATEMENTS

1. Statement letter of conformance to FBC 2017 (6th Edition), dated 12/01/17 , prepared by Master Consulting Engineer Inc., signed and sealed by Cody Davis, P. E.
2. Statement later issued by Quality Engineered Prod., dated 02/02/18, requesting one year renewal, subjected to verification test completion per RER e-mail dated Jan 09, 2019, signed by A. Bernstein, V.P.



Ishaq I. Chanda, P.E.

Product Control Unit Supervisor

NOA No. 19-0507.03

Expiration Date: January 30, 2024

Approval Date: May 16, 2019

NOTICE OF ACCEPTANCE: EVIDENCE SUBMITTED

G. OTHER

1. This NOA conditionally **renews** for **one** year # **15-0422.03**, expiring 01/30/19, subjected verification test (glazing/hardware), as laid out per RER e-mail dated JAN 09, 2018.

3. New Evidence submitted

A. DRAWINGS

1. Drawing No. **16GACOSD-1**, titled "16 GA Commercial Outswing Steel Door", sheets 1 through 10 of 10, prepared by manufacturer, dated 05/25/04 and last revised on 04-30-19, signed and sealed by Cody Davis, P. E.

B. TESTS

1. Test reports on
 - 1) Uniform Static Air Pressure Test, Loading per FBC, TAS 202.
 - 2) Water Resistance Test per FBC, TAS 202-94.
 - 3) Large Missile Impact Test per FBC, TAS 201-94
 - 4) Cyclic Wind Pressure Loading per FBC, TAS 203-94

Along with marked-up drawings and installation diagram of glazed outswing Steel Commercial Steel Doors, prepared by Fenestration Testing Laboratories Inc., Test Report No. **FTLA 1435**, dated April 14, 2019, signed and sealed by Idalmis Ortega, P. E.

C. CALCULATIONS

1. None.

D. QUALITY ASSURANCE

1. Miami Dade Department of Regulatory and Economic Resources (RER).

E. MATERIAL CERTIFICATIONS

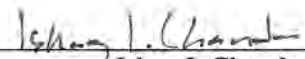
1. Notice of Acceptance No. **17-1207.05** issued to Dyplastic Products, LLC (former Apache Products Co) for "E& R-Board Expanded Polystyrene rigid Foam Insulation", expiring on 01/11/2022.

F. STATEMENTS (Submitted under file #17-1102.02)

1. Statement letter of conformance to FBC 2017 (6th Edition), dated 12/01/17, prepared by Master Consulting Engineer Inc., signed and sealed by Cody Davis, P. E.

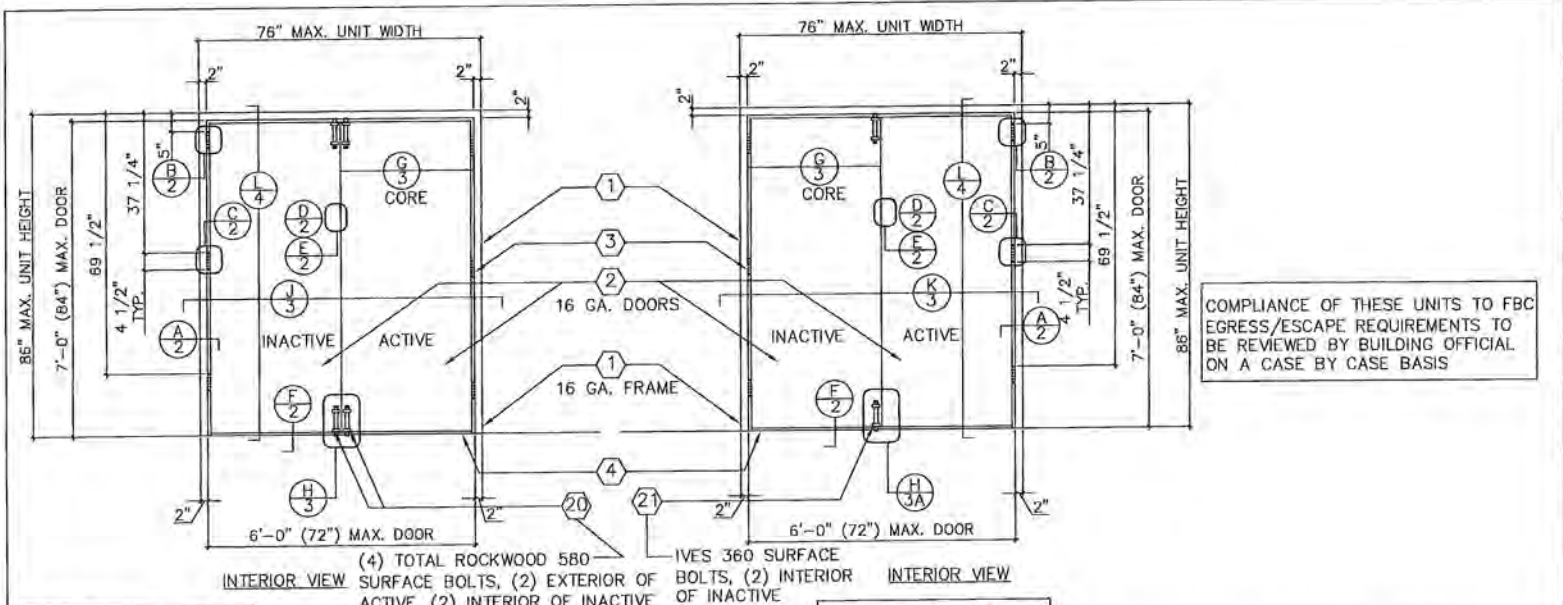
G. OTHER

1. This NOA **revises & renews** NOA # **17-1102.02**, expiring 01/30/24.
2. RER e-mail test proposal dated Jan 09, 2018.



Ishaq I. Chanda, P.E.
Product Control Unit Supervisor
NOA No. 19-0507.03

Expiration Date: January 30, 2024
Approval Date: May 16, 2019



LOCK TESTED: ITEM #9

PDQ MORTISE LOCK MODEL MR117

DESIGN PRESSURE RATING (OUTSWING DOUBLE DOORS) w/(4) ROCKWOOD SURFACE BOLTS

	WHERE WATER INFILTRATION REQUIREMENT IS NEEDED *	WHERE WATER INFILTRATION REQUIREMENT IS NOT NEEDED OR PROTECTED BY OVERHANG*
POSITIVE	NOT APPROVED WITHOUT OVERHANG *	+90 PSF
NEGATIVE	NOT APPROVED WITHOUT OVERHANG *	-90 PSF

* UNIT SHALL BE INSTALLED AT LOCATION PROTECTED BY OVERHANG SUCH THAT OVERHANG RATIO (OH) = OH LENGTH/OH HEIGHT IS GREATER THAN 1

LOCK TESTED: ITEM #22

SCHLAGE MORTISE LOCK MODEL L9453P

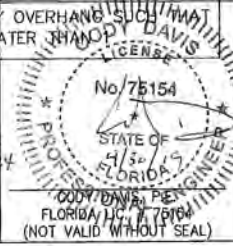
SARGENT MORTISE LOCK MODEL 8225NL

DESIGN PRESSURE RATING (OUTSWING DOUBLE DOORS) w/(2) IVES SURFACE BOLTS (INACTIVE DOOR LEAF)

	WHERE WATER INFILTRATION REQUIREMENT IS NEEDED *	WHERE WATER INFILTRATION REQUIREMENT IS NOT NEEDED OR PROTECTED BY OVERHANG*
POSITIVE	NOT APPROVED WITHOUT OVERHANG *	+70 PSF
NEGATIVE	NOT APPROVED WITHOUT OVERHANG *	-70 PSF

* UNIT SHALL BE INSTALLED AT LOCATION PROTECTED BY OVERHANG SUCH THAT OVERHANG RATIO (OH) = OH LENGTH/OH HEIGHT IS GREATER THAN 1

PRODUCT REVIEWED
in compliance with the Florida
Building Code
Acceptance No. 19-050203
Expiration Date: JAN 31, 2024
S. Schlegel, Chairman
16 Gauge Steel Product Control



DRAWING NUMBER 16GACOSD-1

16 GA. COMMERCIAL OUTSWING STEEL DOOR

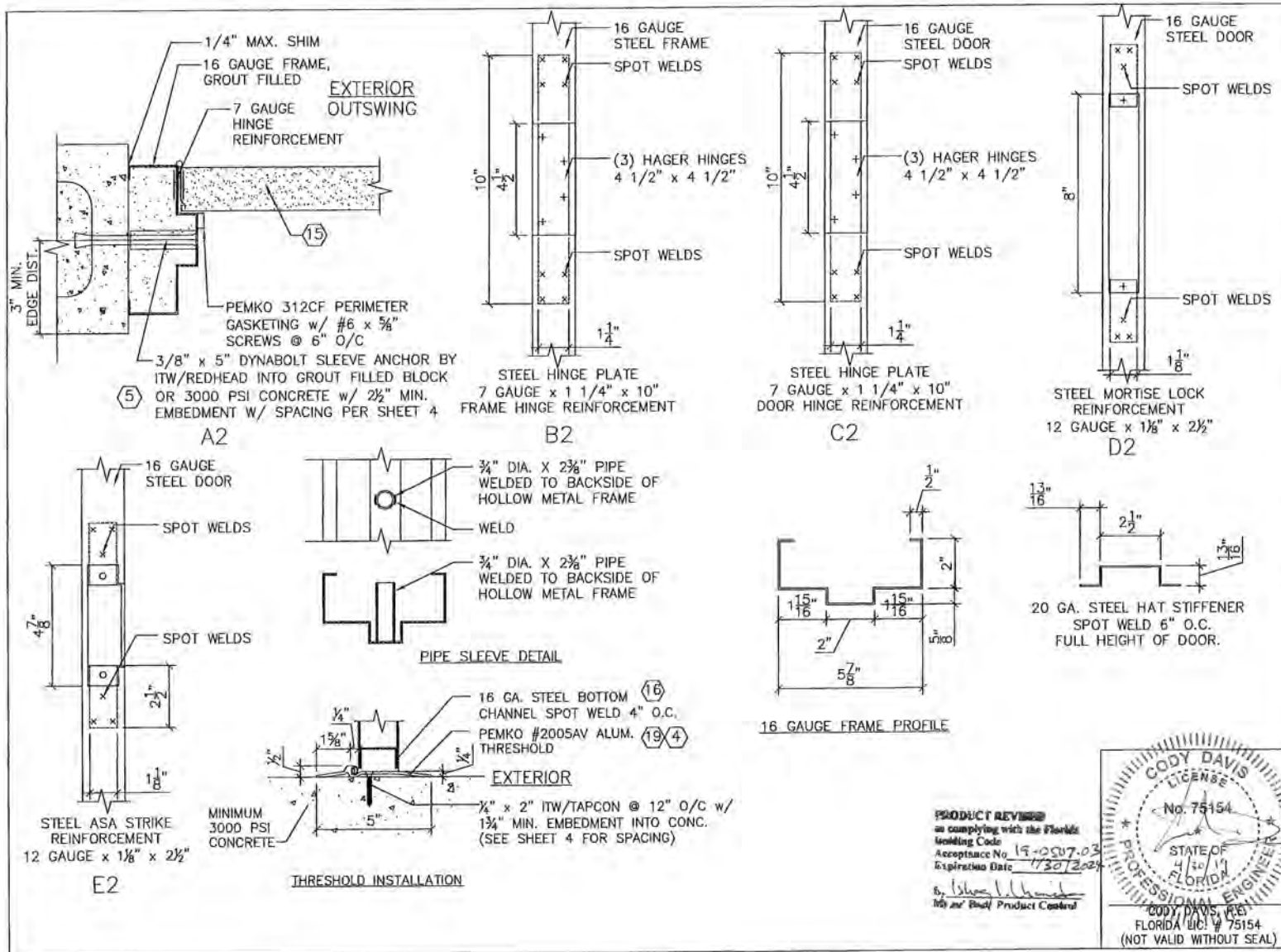
REVISIONS
1 05-25-04
2 07-06-04
3 01-26-06
4 02-26-16

HURRICANE TEST APPROVAL
SERIES 16GACOSD
16 GAUGE COMMERCIAL
OUTSWING STEEL DOORS

SHEET 1 OF 10
DATE 04-26-19

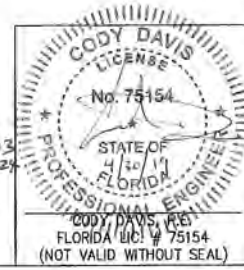
4506 QUALITY LANE
TAMPA, FLORIDA 33634
(813) 885-1693

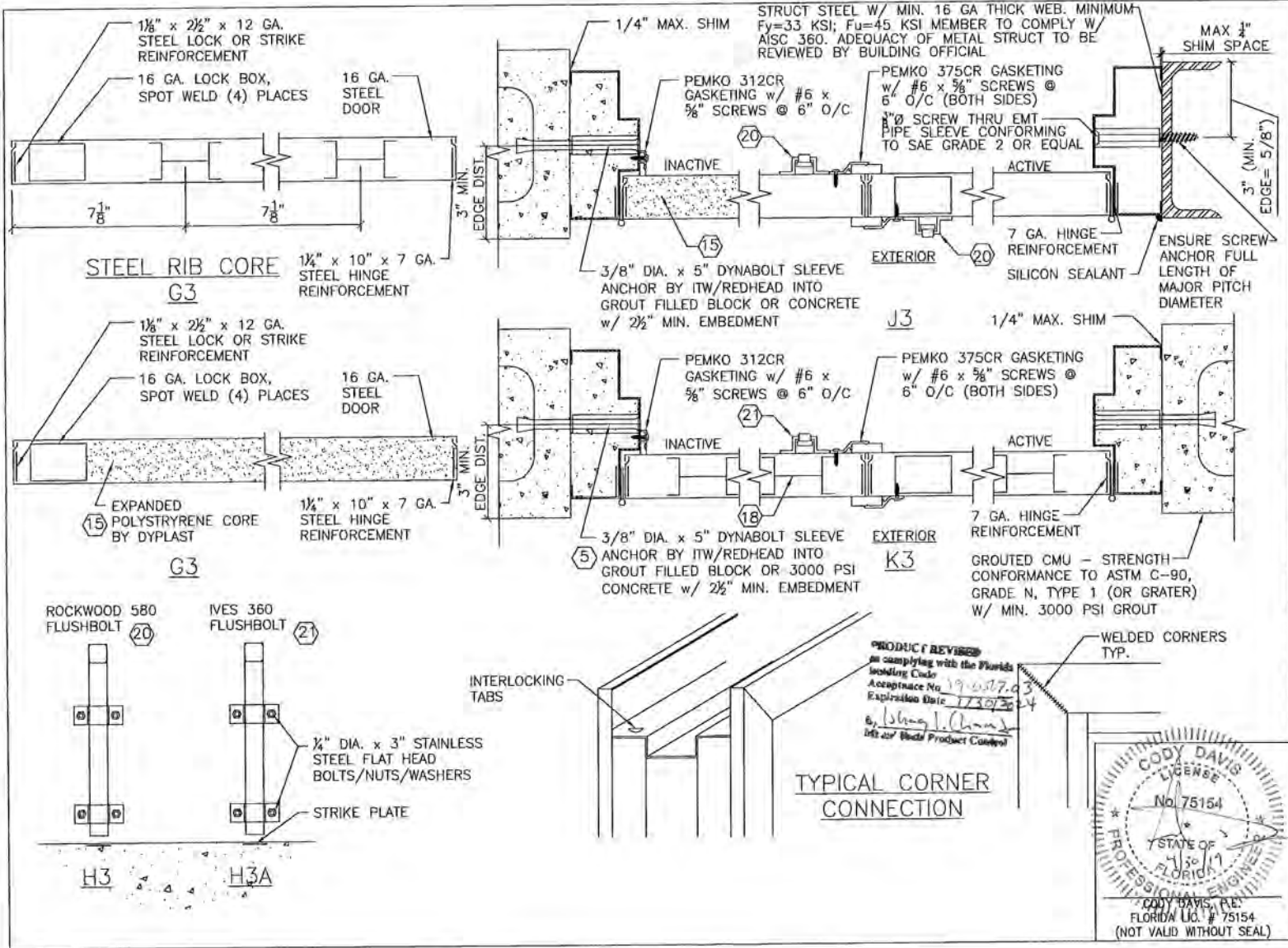
Quality Engineered Products Co., Inc.



DRAWING NUMBER 16GACOSD-1	16 GA. COMMERCIAL OUTSWING STEEL DOOR	4506 QUALITY LANE TAMPA, FLORIDA 33634 (813) 885-1893 <i>Quality Engineered Products Co., Inc.</i>
	REVISIONS	
HURRICANE TEST APPROVAL SERIES 16GACOSD 16 GAUGE COMMERCIAL OUTSWING STEEL DOORS		
SHEET 2 OF 10		
DATE 04-26-19		

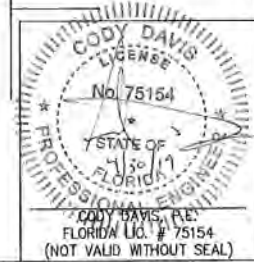
PRODUCT REVIEWED
 as complying with the Florida
 Building Code
 Acceptance No. 19-0507-03
 Expiration Date 11/30/2024
 CODY DAVIS, P.E.
 Florida Product Control



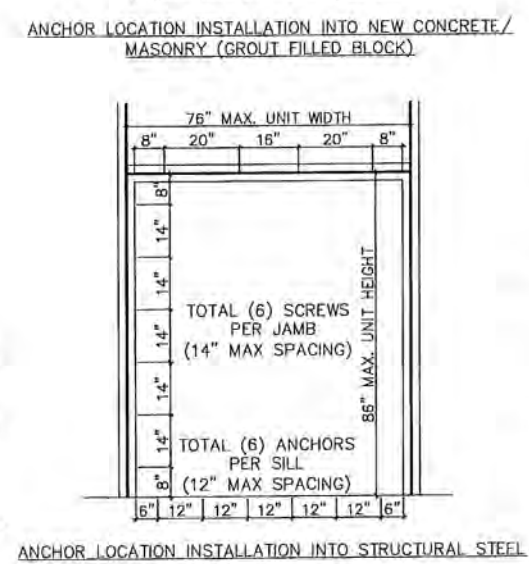
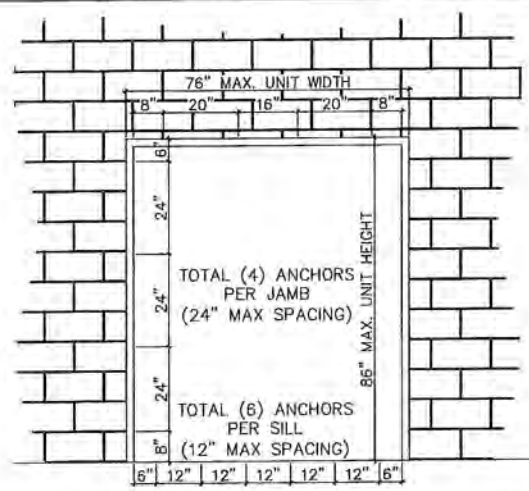
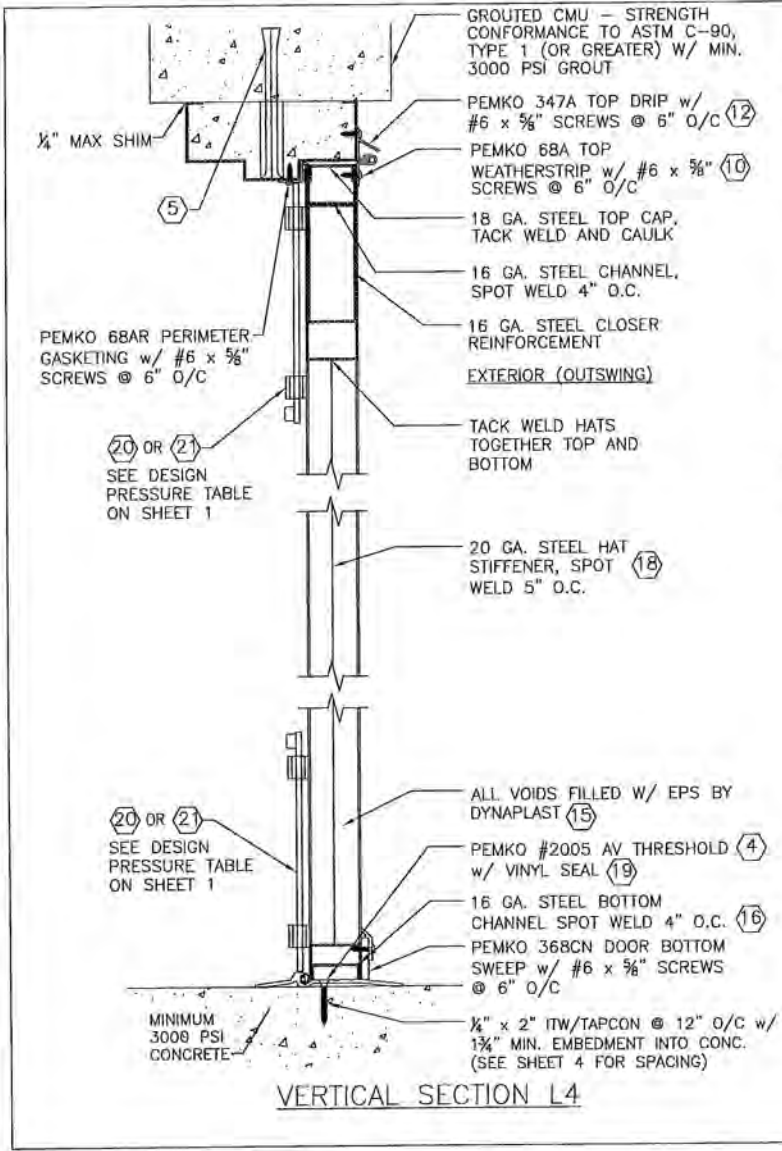


DRAWING NUMBER	16 GA. COMMERCIAL OUTSWING STEEL DOOR						
	16GACOSD-1						
HURRICANE TEST APPROVAL	SERIES 16GACOSD 16 GAUGE COMMERCIAL OUTSWING STEEL DOORS						
	SHEET 3 OF 10						
DATE	04-26-19						
REVISIONS	<table border="1"> <tr> <td>1</td> <td>3</td> <td>4</td> </tr> <tr> <td></td> <td>01-26-06</td> <td>02-26-16</td> </tr> </table>	1	3	4		01-26-06	02-26-16
1	3	4					
	01-26-06	02-26-16					
<p>4506 QUALITY LANE TAMPA, FLORIDA 33634 813-885-1693</p> <p><i>Quality Engineered Products Co., Inc.</i></p>							

PRODUCT REVISED
in compliance with the Florida
Building Code
Acceptance No. 19057.03
Expiration Date 1/30/24
G. Wang, I. Chen
1st and 2nd Product Control

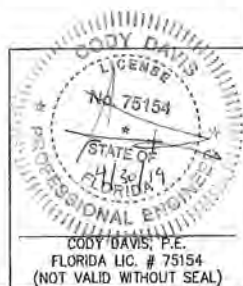


TYPICAL CORNER CONNECTION

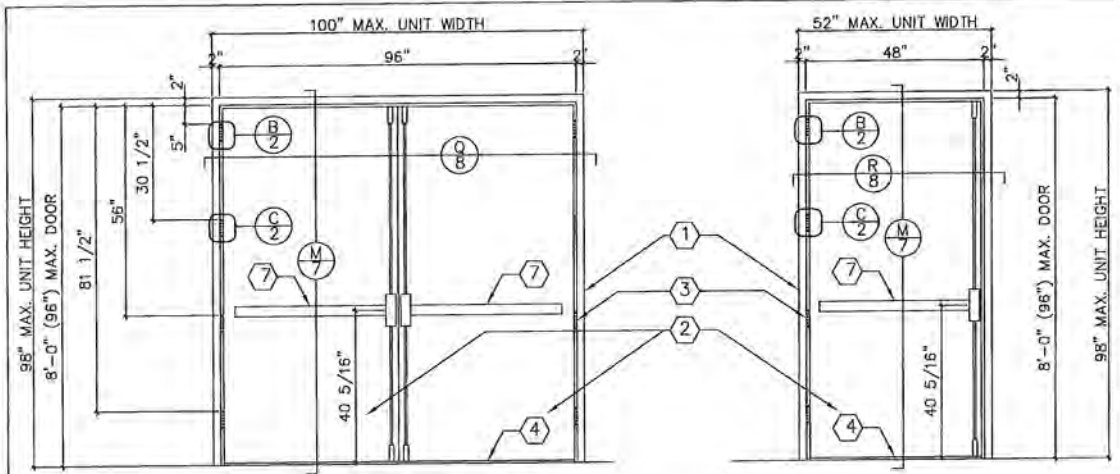


PRODUCT REVISIONS
in complying with the Florida
Building Code
Acceptance No.
Expiration Date

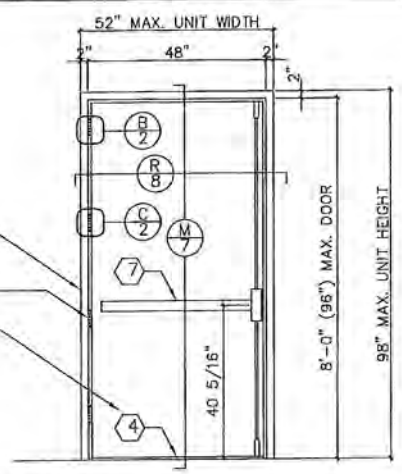
By: Michael Blake Product Control



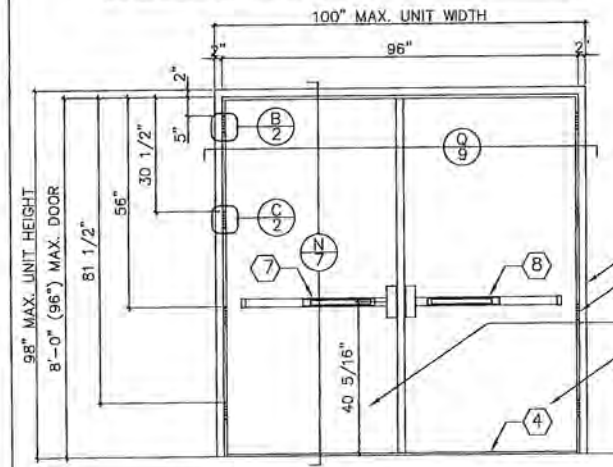
DRAWING NUMBER	16 GA. COMMERCIAL OUTSWINGING STEEL DOOR	4506 QUALITY LANE TAMPA, FLORIDA 33634 (813) 885-1683	<i>Quality Engineered Products Co., Inc.</i>
	16GACOSD-1		
REVISIONS	1 1	3 01-26-06	4 02-26-16
HURRICANE TEST APPROVAL	SERIES 16GACOSD	16 GAUGE COMMERCIAL OUTSWINGING STEEL DOORS	
SHEET	4 OF 10	DATE 04-26-19	



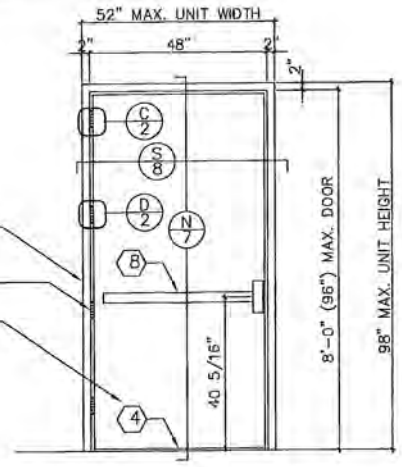
DOUBLE OUTSWING DOOR (INTERIOR VIEW)
w/ DORMA'S HCF 9400 VERTICAL ROD PANIC DEVICE



SINGLE OUTSWING DOOR (INTERIOR VIEW)
w/ DORMA'S HCF 9400 VERTICAL ROD PANIC DEVICE



DOUBLE OUTSWING DOOR (INTERIOR VIEW)
w/ DORMA'S HCF 9300 RIM EXIT DEVICE & 1300
REMOVABLE MULLION w/ 416 STRIKE PLATE



SINGLE OUTSWING DOOR (INTERIOR VIEW)
w/ DORMA'S HCF 9300 RIM EXIT DEVICE
w/ 416 STRIKE PLATE

FOR SINGLE DOOR WITH DORMA 9300 DEVICE
DESIGN PRESSURE RATING

	WHERE AIR & WATER INFILTRATION REQUIREMENT IS NEEDED	WHERE AIR & WATER INFILTRATION REQUIREMENT IS NOT NEEDED
POSITIVE	+80 PSF	+80 PSF
NEGATIVE	-80 PSF	-80 PSF

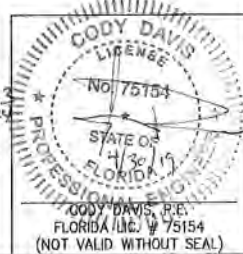
FOR DORMA VERTICAL ROD DEVICES
DESIGN PRESSURE RATING

	WHERE AIR & WATER INFILTRATION REQUIREMENT IS NEEDED	WHERE AIR & WATER INFILTRATION REQUIREMENT IS NOT NEEDED
POSITIVE	+80 PSF	+80 PSF
NEGATIVE	-80 PSF	-80 PSF

FOR DORMA RIM DEVICES WITH HC1300 MULLION
DESIGN PRESSURE RATING

	WHERE AIR & WATER INFILTRATION REQUIREMENT IS NEEDED	WHERE AIR & WATER INFILTRATION REQUIREMENT IS NOT NEEDED
POSITIVE	+80 PSF	+80 PSF
NEGATIVE	-85 PSF	-85 PSF

PRODUCT REVISED
to comply with the Florida
Building Code
Amendment No. 19-0307.0
Expiration Date 1/30/2024
By: *[Signature]*
Professional Engineer



DRAWING NUMBER 16GACOSD-1

DRAWING NUMBER 16GACOSD-1

HURRICANE TEST APPROVAL
SERIES 16GACOSD
16 GAUGE COMMERCIAL
OUTSWING STEEL DOORS

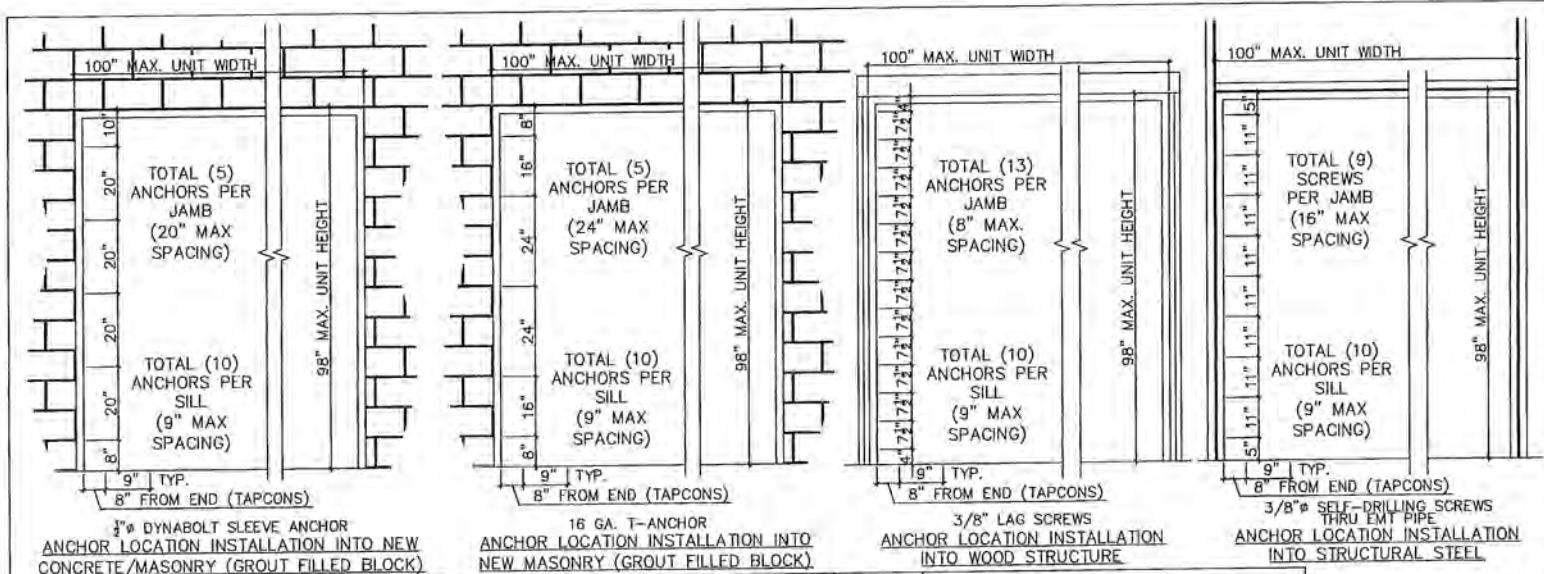
REVISIONS

1	3 01-26-06
2	4 02-26-16
3	5 04-26-19

DATE 04-26-19

4506 QUALITY LANE
TAMPA, FLORIDA 33634
(813) 885-1683

Quality Engineered Products Co., Inc.



ITEM #	QUANTITY	BILL OF MATERIALS
1	1	16 GA. (.063") MIN. (14 GA. MAX.) STEEL HOLLOW METAL FRAME F _y MIN= 46.3 KSI; F _u MIN= 52.1 KSI (OR S.S. MEETING F _y MIN= 50.5 KSI; F _u MIN= 98.5 KSI)
2	2	16 GA. (.063") MIN. (14 GA. MAX.) GLAZED STEEL STORE F _y MIN= 46.3 KSI; F _u MIN= 52.1 KSI (OR S.S. MEETING F _y MIN= 50.5 KSI; F _u MIN= 98.5 KSI)
3	8	HAGAR HINGES BB1279 4 1/2" x 4 1/2" x 0.134" THICK
4	1	PEMCO 2005AV THRESHOLD
5	15	3/8" DIA DYNABOLT ITW/REDHEAD SLEEVE ANCHOR (3/8" DIA BOLT) X 5" SLEEVE ANCHOR w/ 3/8" EMT WELDED PIPE SLEEVE w/ 2-1/2" MIN. EMBEDMENT & 3" MIN. EDGE DISTANCE INTO 3 KSI CONCRETE OR GROUT FILLED BLOCK
6	20	1/2" x 6" WOOD LAG SCREWS w/ 3/4" EMT PIPE SLEEVE
7	2	DORMA EXIT DEVICE HCF9400 VERTICAL ROD EXIT DEVICE w/ STRIKEPLATES TOP AND BOTTOM
8	2	DORMA EXIT DEVICE HCF9300 RIM EXIT DEVICE w/ STRIKE PLATES (416)
9	1	PDQ MORTISE LOCK MR117
10	1	PEMCO 68A DOOR TOP WEATHERSTRIP w/ #6 x 5/8" SCREWS
11	AS REQ.	NATIONAL GAURD #130SA WEATHERSTRIP w/ #6 x 5/8" SCREWS
12	1	PEMCO 347A TOP DRIP
13	8	7 GA. STEEL DOOR HINGE REINFORCEMENT

ITEM #	QUANTITY	BILL OF MATERIALS
14	8	7 GA. STEEL FRAME HINGE REINFORCEMENT
15	AS REQ.	EXPANDED POLYSTYRENE (EPS) BY DYPLAST w/ CURRENT NOA PRODUCTS OR 20 GA. STEEL RIB OR HONEYCOMB
16	4	16 GA. STEEL TOP AND BOTTOM "U" CHANNEL
17	2	12 GA. STEEL 1.5" x 4.5" x FULL LENGTH LOCK REINFORCEMENT
18	AS REQ.	20 GA. STEEL HAT STIFFENERS
19	1	VINYL GASKETING (THRESHOLD)
20	1	ROCKWOOD 580 SURFACE BOLTS
21	1	IVES 360 SURFACE BOLTS
22	1	SCHLAGE MORTISE LOCK MODEL L9453P, SARGENT MORTISE LOCK MODEL 8225NL (70 PSF ONLY)
23	1	DORMA HC1300 REMOVABLE MULLION (DOUBLE DOORS)

PRODUCT REVIEW
 as complying with the Florida Building Code
 Acceptance No 19-050703
 Expiration Date 7/30/2024
 E. Khay J. Chandra
 Int'l or 'Bolt' Product Control

CODY DAVIS, P.E.
 FLORIDA LIC. # 75154
 (NOT VALID WITHOUT SEAL)

16 GA. COMMERCIAL OUTSWING STEEL DOOR

4506 QUALITY LANE
 TAMPA, FLORIDA 33634
 (813) 895-1693

Quality Engineered Products Co., Inc.

REVISIONS

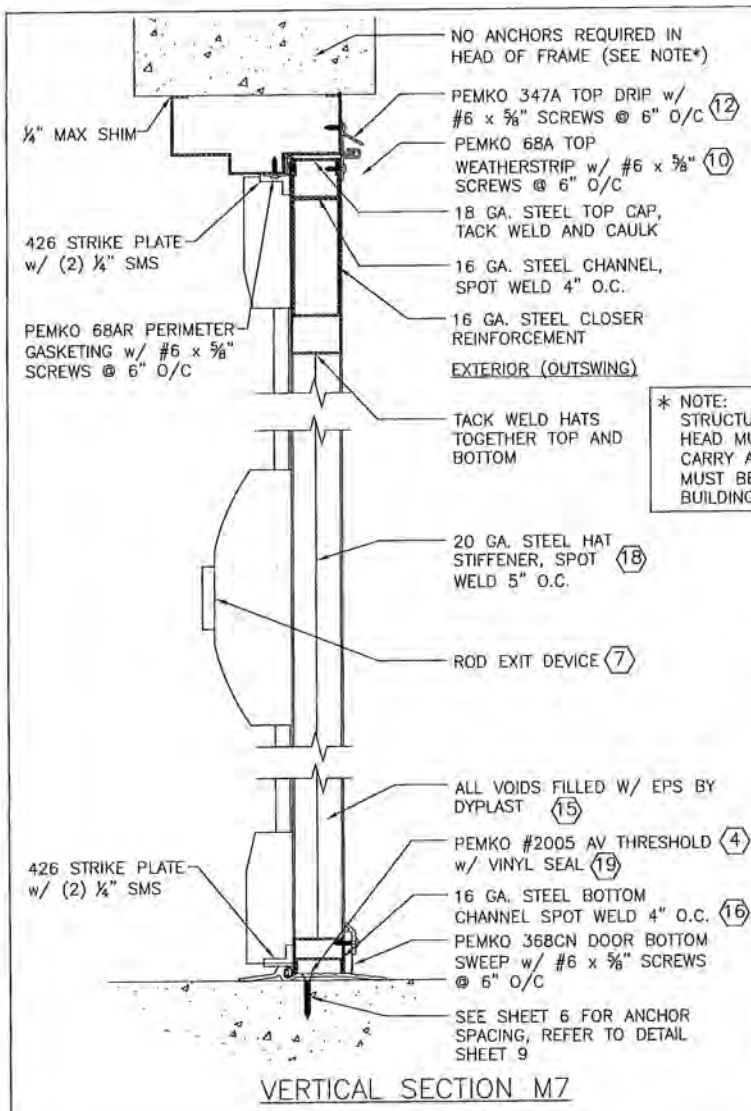
1	3 01-26-06
4	02-26-16

DRAWING NUMBER 16GACOSD-1

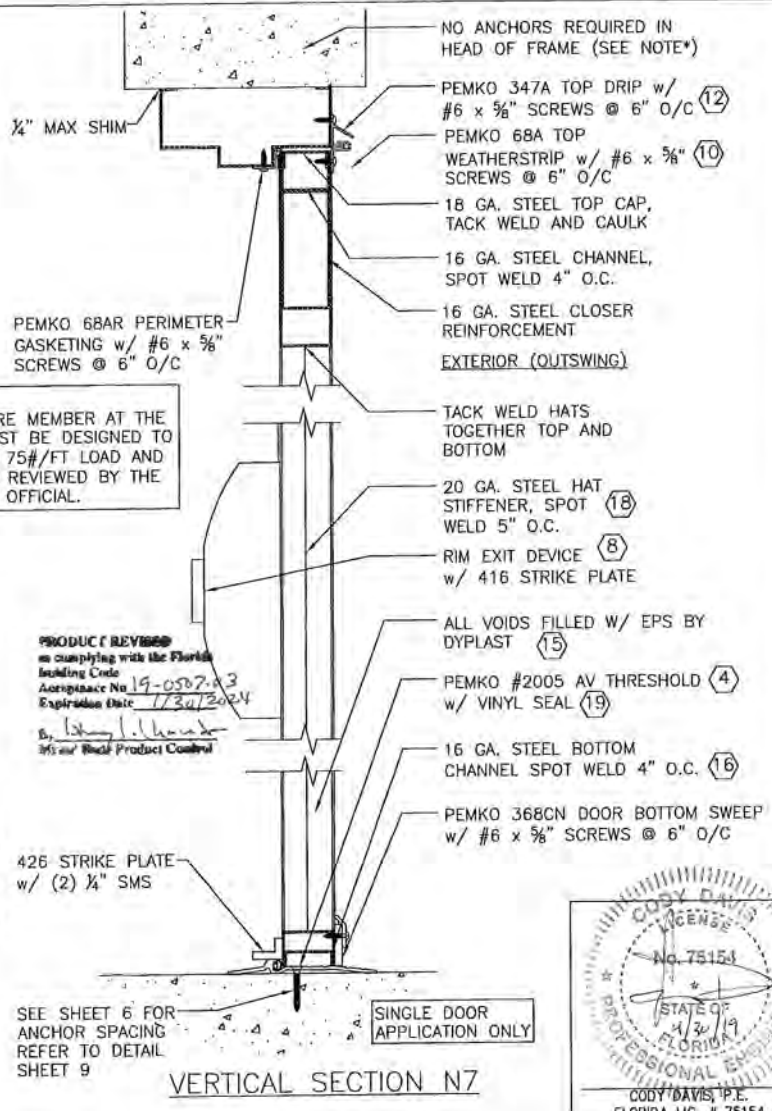
HURRICANE TEST APPROVAL
 SERIES 16GACOSD
 16 GAUGE COMMERCIAL
 OUTSWING STEEL DOORS

SHEET 6 OF 10

DATE 04-26-19



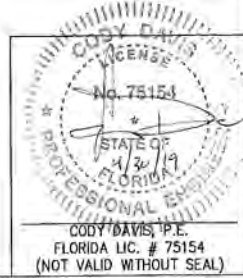
VERTICAL SECTION M7



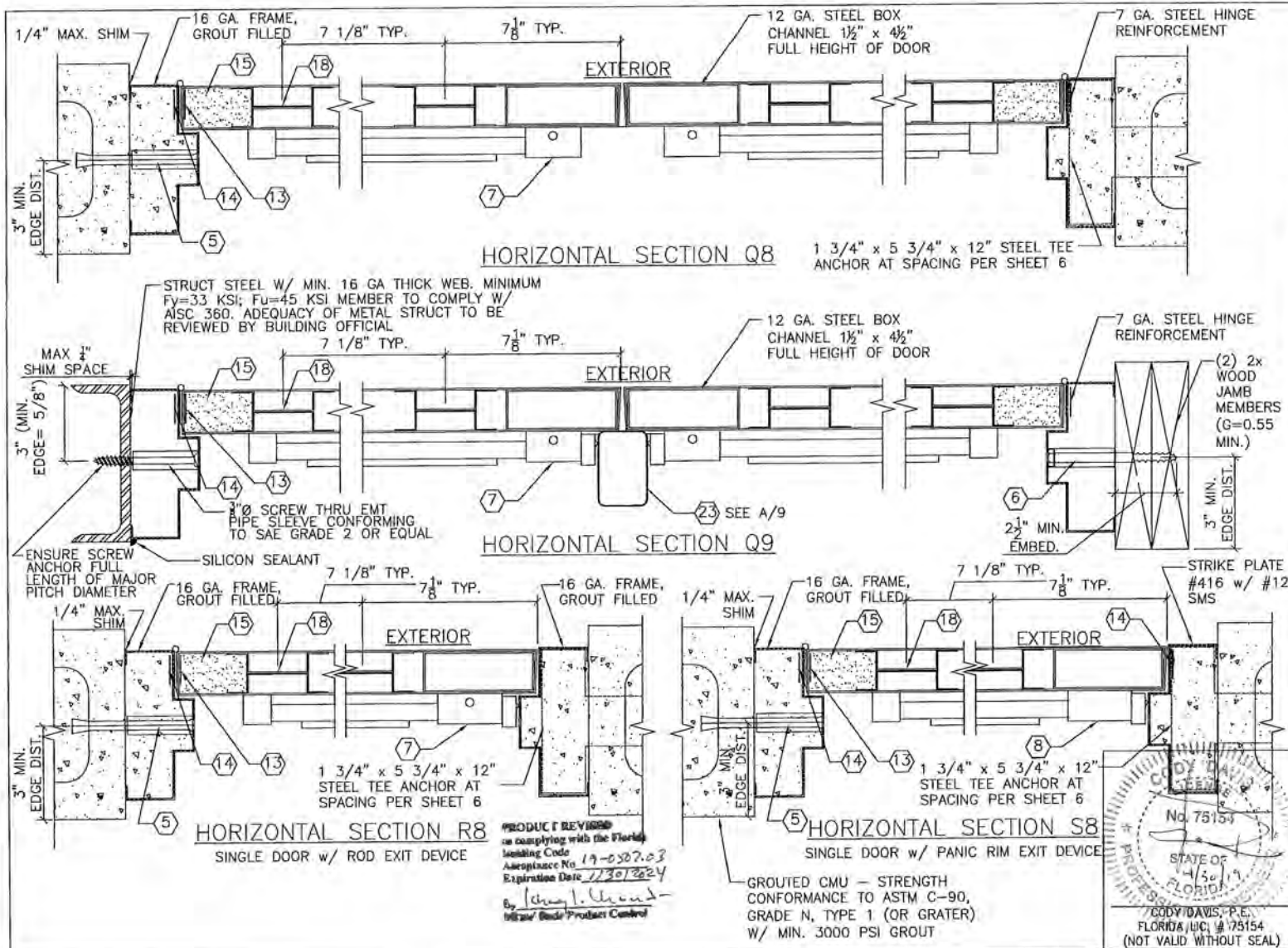
VERTICAL SECTION N7

* NOTE:
STRUCTURE MEMBER AT THE
HEAD MUST BE DESIGNED TO
CARRY A 75#/FT LOAD AND
MUST BE REVIEWED BY THE
BUILDING OFFICIAL.

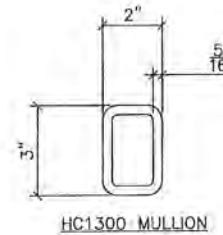
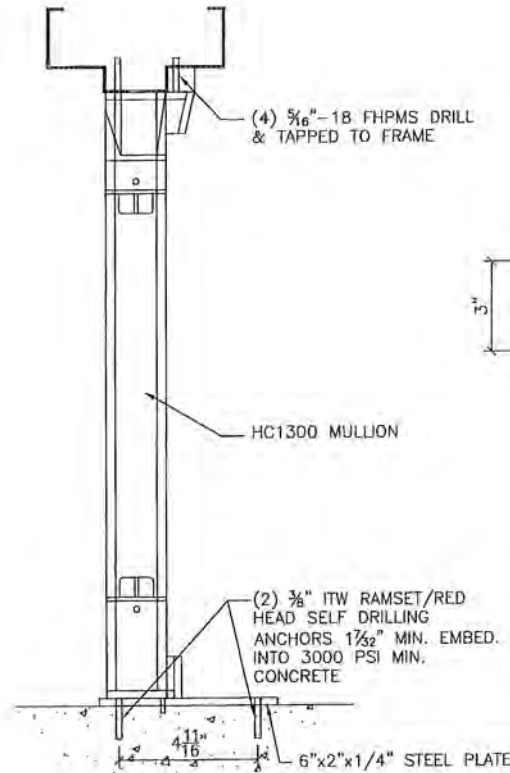
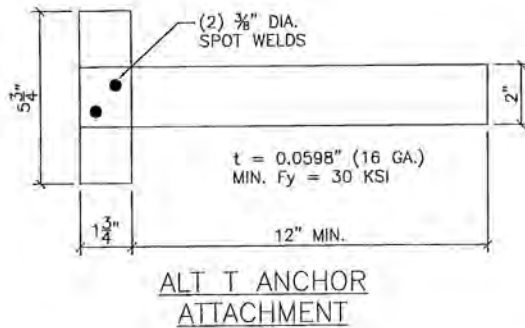
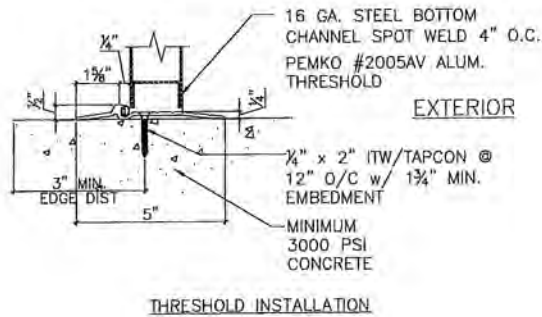
PRODUCT REVIEWED
in compliance with the Florida
Building Code
Acceptance No. 19-0507-03
Expiration Date 1/31/2024
By: [Signature]
Senior Staff Product Control



DRAWING NUMBER 16GACOSD-1	16 GA. COMMERCIAL OUTSWING STEEL DOOR	4506 QUALITY LANE TAMPA, FLORIDA 33634 (813) 885-1693	Quality Engineered Products Co., Inc.
	REVISIONS	1	3 01-26-06 4 02-26-16
HURRICANE TEST APPROVAL SERIES 16GACOSD 16 GAUGE COMMERCIAL OUTSWING STEEL DOORS	SHEET 7 OF 10	DATE 04-26-19	



DRAWING NUMBER 16GACOSD-1	REVISIONS	4506 QUALITY LANE TAMPA, FLORIDA 33634 (813) 855-1693 <i>Quality Engineered Products Co., Inc.</i>
	1 16 GA. COMMERCIAL OUTSWING STEEL DOOR 3 01-26-06 4 02-26-16	
HURRICANE TEST APPROVAL SERIES 16GACOSD 16 GAUGE COMMERCIAL OUTSWING STEEL DOORS	SHEET 8 OF 10	DATE 04-26-19

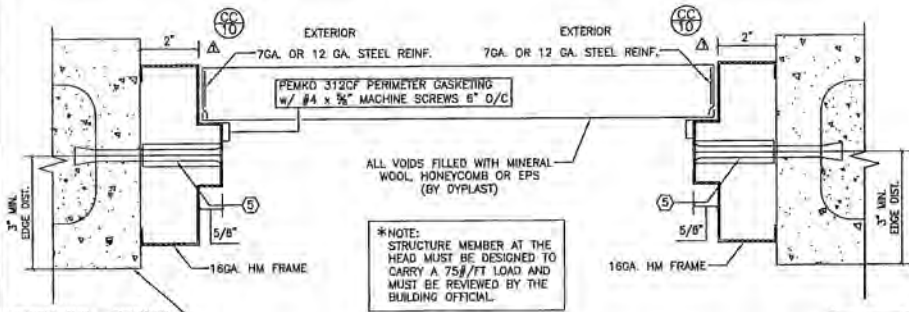
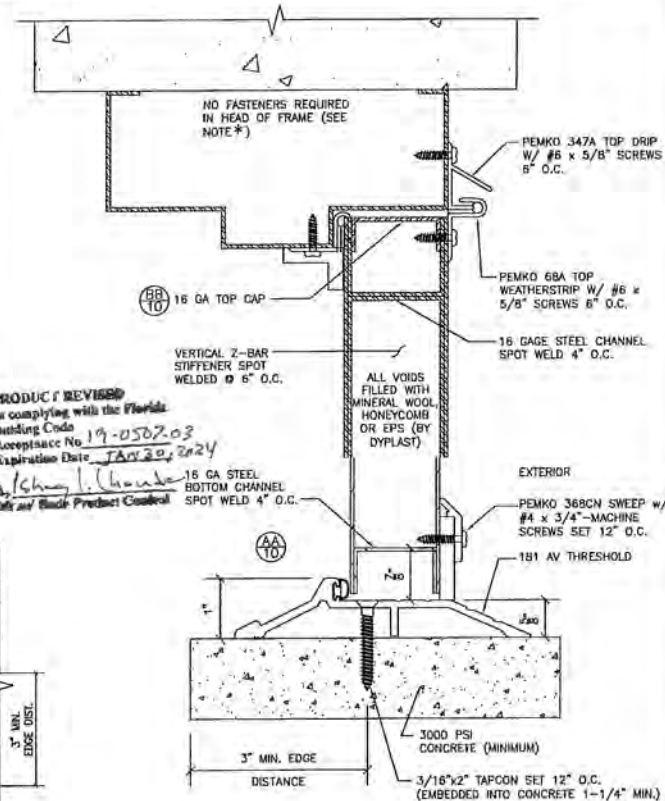
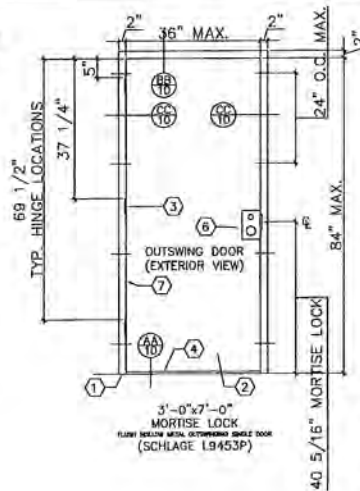
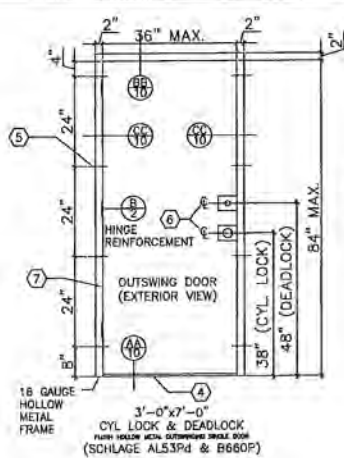


PRODUCT REVIEW
as complying with the Florida Building Code
Acceptance No. 19-0502-D3
Expiration Date 1/30/2024
b. [Signature]
Int'l. Build. Product Control



DORMA HC-1300 REMOVABLE MULLION

DRAWING NUMBER	16 GA. COMMERCIAL OUTSWING STEEL DOOR	4506 QUALITY LANE TAMPA, FLORIDA 33634 (813) 855-1693
	16GACOSD-1	
HURRICANE TEST APPROVAL	REVISIONS	
SERIES 16GACOSD	1	
16 GAUGE COMMERCIAL OUTSWING STEEL DOORS	3	01-26-06
	4	02-26-16
SHEET 9 OF 10		
DATE 04-26-19		

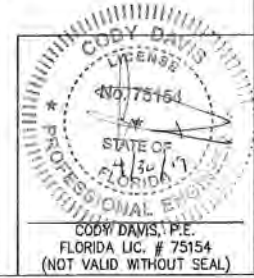


*NOTE:
STRUCTURE MEMBER AT THE
HEAD MUST BE DESIGNED TO
CARRY A 75#/FT LOAD AND
MUST BE REVIEWED BY THE
BUILDING OFFICIAL.

DESIGN PRESSURE RATING - OUTSWING SINGLE DOOR (7'-0" MAX.)		
	WHERE AIR & WATER INFILTRATION REQUIREMENT IS NEEDED	WHERE AIR & WATER INFILTRATION REQUIREMENT IS NOT NEEDED
POSITIVE	+90 PSF	+90 PSF
NEGATIVE	-90 PSF	-90 PSF

PRODUCT REVISED
in complying with the Florida
Building Code
Acceptance No. 19-050203
Expiration Date JAN 20, 2024
By: *Gregory L. Houder*
In accordance with Florida Product Control

ITEM #	QUANTITY	BILL OF MATERIALS
1	1	16 GA. (.063") MIN. (14 GA. MAX.) STEEL HOLLOW METAL FRAME F _Y MIN= 46.3 KSI; F _U MIN= 52.1 KSI (OR S.S. MEETING F _Y MIN= 50.5 KSI; F _U MIN= 98.5 KSI)
2	1	16 GA. (.063") MIN. (14 GA. MAX.) STEEL FLUSH DOOR F _Y MIN= 46.3 KSI; F _U MIN= 52.1 KSI (OR S.S. MEETING F _Y MIN= 50.5 KSI; F _U MIN= 98.5 KSI)
3	3	HAGER HINGES BB1279 4 1/2" x 4 1/2" .134" THICK
4	1	PEMKO THRESHOLD 181AV OR 2005AV
5	8	3/8" DYNABOLT ITW/REDHEAD SLEEVE ANCHOR (3/8" BOLT) x 5" SLEEVE ANCHOR w/ 3/8" EXT WELDED PIPE SLEEVE w/ 2-1/2" MIN. EMBEDMENT & 3" MIN. EDGE DISTANCE INTO 3 KSI CONCRETE OR GROUT FILLED BLOCK
6	1	SCHLAGE LOCKSET AL53Pd w/ DEADLOCK B660 OR SCHLAGE MORTISE LOCKSET L9453P
7	AS REQ.	PEMKO 312CF PERIMETER GASKETING
8	1	PEMKO 368CN DOOR SWEEP
9	1	#347A X 68A TOP DRIP



16 GA. COMMERCIAL OUTSWING STEEL DOOR

DRAWING NUMBER 16GACOSD-1

4506 QUALITY LANE
TAMPA, FLORIDA 33634
(813) 855-1663

*Quality
Engineered
Products Co., Inc.*

REVISIONS

1	3 01-26-06
4	02-26-16

HURRICANE TEST APPROVAL
SERIES 16GACOSD
16 GAUGE COMMERCIAL
OUTSWING STEEL DOORS

SHEET 10 OF 10

DATE 04-26-19



DEPARTMENT OF REGULATORY AND ECONOMIC RESOURCES (RER)
BOARD AND CODE ADMINISTRATION DIVISION
NOTICE OF ACCEPTANCE (NOA)

MIAMI-DADE COUNTY
PRODUCT CONTROL SECTION
11805 SW 26 Street, Room 208
Miami, Florida 33175-2474
T (786) 315-2590 F (786) 315-2599
www.miamidade.gov/economy

Quality Engineered Products Co., Inc.

4506 Quality Lane

Tampa, FL 33634

SCOPE:

This NOA is being issued under the applicable rules and regulations governing the use of construction materials. The documentation submitted has been reviewed and accepted by Miami-Dade County RER -Product Control Section to be used in Miami Dade County and other areas where allowed by the Authority Having Jurisdiction (AHJ).

This NOA shall not be valid after the expiration date stated below. The Miami-Dade County Product Control Section (In Miami Dade County) and/or the AHJ (in areas other than Miami Dade County) reserve the right to have this product or material tested for quality assurance purposes. If this product or material fails to perform in the accepted manner, the manufacturer will incur the expense of such testing and the AHJ may immediately revoke, modify, or suspend the use of such product or material within their jurisdiction. RER reserves the right to revoke this acceptance, if it is determined by Miami-Dade County Product Control Section that this product or material fails to meet the requirements of the applicable building code.

This product is approved as described herein, and has been designed to comply with the Florida Building Code, including the High Velocity Hurricane Zone.

DESCRIPTION: Series "QQ2" 16 ga. Outswing Glazed Commercial Steel Door w/Panic Device & Mortise Lock -LMI

APPROVAL DOCUMENT: Drawing No. **QQ2 REV 4**, titled "16 ga Out swinging Glazed Commercial Steel Door", sheets 1 through 13 of 13, prepared by manufacturer, dated 02/26/16 and last revised on 04/30/19 signed and sealed by Cody Davis, P. E., bearing the Miami-Dade County Product Control Revision stamp with the Notice of Acceptance number and expiration date by the Miami-Dade County Product Control Section.

MISSILE IMPACT RATING: Large and Small Missile Impact Resistant

Limitations:

1. See Design Pressure ratings (DP) VS lock types in sheet 1 thru 7. Max Single Door=+/- 90 PSF.
2. See anchor VS Door height VS DP in sheet 12.
3. Double Door w/HCF 9300 Rim with HC1300 removable mullion (sheet 7) is rated at +80/-65 PSF.
4. Doors are 16 ga (min .063" thk) with min CS Tensile yield strength $F_y= 46.3$ ksi and Tensile ultimate strength $F_u= 52.1$ Ksi and SS Tensile yield strength $F_y= 50.5$ ksi and Tensile ultimate strength $F_u= 98.5$ Ksi.
5. EPS Polystyrene by Dyplast (former Apache Products), having current NOA.

LABELING: Each unit shall bear a permanent label with the manufacturer's name or logo, city, state and series and following statement: "Miami-Dade County Product Control Approved", noted herein.

RENEWAL of this NOA shall be considered after a renewal application has been filed and there has been no change in the applicable building code negatively affecting the performance of this product.

TERMINATION of this NOA will occur after the expiration date or if there has been a revision or change in the materials, use, and/or manufacture of the product or process. Misuse of this NOA as an endorsement of any product, for sales, advertising or any other purposes shall automatically terminate this NOA. Failure to comply with any section of this NOA shall be cause for termination and removal of NOA.

ADVERTISEMENT: The NOA number preceded by the words Miami-Dade County, Florida, and followed by the expiration date may be displayed in advertising literature. If any portion of the NOA is displayed, then it shall be done in its entirety.

INSPECTION: A copy of this entire NOA shall be provided to the user by the manufacturer or its distributors and shall be available for inspection at the job site at the request of the Building Official.

This NOA **revises & renews** NOA # **17-1102.03** and consists of this page 1 and evidence pages E-1, E-2 & E-3, as well as approval document mentioned above.

The submitted documentation was reviewed by **Ishaq I. Chanda, P.E.**

NOA No. 19-0507.04
Expiration Date: January 30, 2024
Approval Date:
Page 1

NOTICE OF ACCEPTANCE: EVIDENCE SUBMITTED

1. Evidence submitted under previous approvals

A. DRAWINGS

1. Manufacturer's die drawings and sections (Submitted under files below)
2. Drawing No. **QQ2**, titled "16 ga Out swinging Glazed Commercial Steel Door ", sheets 1 through 13 of 13, prepared by manufacturer, dated 02/26/16, with Revision 4 dated 02/26/16 signed and sealed by Cody Davis, P. E.

B. TESTS (Submitted under file #12-1115.06/#07-1017.10/04-0823.04)

1. Test reports on
 - 1) Air Infiltration Test, per FBC TAS 202-94
 - 2) Uniform Static Air Pressure Test, Loading per FBC, TAS 202.
 - 3) Water Resistance Test per FBC, TAS 202-94.
 - 4) Large Missile Impact Test per FBC, TAS 201-94
 - 5) Cyclic Wind Pressure Loading per FBC, TAS 203-94

Along with marked-up drawings & installation diagram of Commercial Steel Doors w /Panic devices, prepared by Certified Testing Laboratories Inc., Test Report No. **CTLA 1276W**, dated Nov. 11, 2004, signed and sealed by Ramesh Patel, P. E.

(Note: This test report has been revised under Test Report No. **CTLA 1276WR**, re-issued on Feb 01, 2005 by Certified Testing Laboratories, signed and sealed by Ramesh Patel, P. E.)

2. Test reports
 - 1) Air Infiltration Test, per FBC TAS 202-94
 - 2) Uniform Static Air Pressure Test, Loading per FBC, TAS 202.
 - 3) Water Resistance Test per FBC, TAS 202-94.
 - 4) Large Missile Impact Test per FBC, TAS 201-94
 - 5) Cyclic Wind Pressure Loading per FBC, TAS 203-94
 - 6) Forced Entry Test, per FBC and TAS 202-94

Along with marked-up drawings and installation diagram of Single Commercial Steel Doors, prepared by Certified Testing Lab Inc., Test Report No. **CTLA 1238W**, dated **08/13/04**, signed and sealed by Ramesh Patel, P. E.

Along with marked-up drawings and installation diagram of Single Commercial Steel Doors, prepared by Certified Testing Lab Inc., Test Report No. **CTLA 1238WR**, dated **08/25/04** and revised on 02/25/05, signed and sealed by Ramesh Patel, P. E

3. Test report on
 - 1) Uniform Static Air Pressure Test, Loading per FBC, TAS 202.
 - 2) Large Missile Impact Test per FBC, TAS 201-94
 - 3) Cyclic Wind Pressure Loading per FBC, TAS 203-94

Along with marked-up drawings and installation diagram of Commercial Steel Doors w/ panic Devices, prepared by Certified Testing Lab Inc., Test Report No. Test Report No. **CTLA 976WA-2R**, dated 07/12/04, and revised on 02/25/05 signed and sealed by Ramesh Patel, P. E.

4. Additional Test reports **HTL-0050-4007-96** and **HTL-0050-0104-96** tested per SFBC PA 201, 202 & 203-94, issued by Hurricane Testing lab, dated 04-17-96 and 01/15/96 both signed and sealed by Timothy S. Marshall, P.E. (submitted under files 00-0726.01/03-0708.02)

C. CALCULATIONS

1. Anchor verification calculations complying w/ FBC 2014 (5th Edition), dated 07/11/16, prepared, signed and sealed by Cody Davis, P.E.
2. Glazing complies w/ASTME-1300-02, -04.

Ishaq I. Chanda, P.E.
Product Control Unit Supervisor
NOA No. 19-0507.04
Expiration Date: January 30, 2024
Approval Date:

NOTICE OF ACCEPTANCE: EVIDENCE SUBMITTED

D. QUALITY ASSURANCE

1. Miami Dade Department of Regulatory and Economic Resources (RER)

E. MATERIAL CERTIFICATIONS (Submitted under file # 07-1017.10/#04-0823.05)

1. Tensile test report prepared by Certified Testing Laboratories Inc., Test Report No. **CTL 1023J (CTLA114W)**, tested per ASTM E-A370-97, dated December 02,2003, signed and sealed by Ramesh Patel, P. E.
2. Notice of Acceptance No. **11-0926.07** issued to Dyplastic Products, LLC (former Apache Products Co) for “EPS-Expanded Polystyrene Insulation”, expiring on 01/11/2017.
3. Notice of Acceptance No. **15-1201.11** issued to Eastman chemical Company (Former Solutia, Inc.) for their “Saflex clear & color Interlayer”, expiring on 05/21/2021.
4. Notice of Acceptance No.**14-0423.11** issued to Oldcastle Building Envelope, Inc. N.J.(Former Oldcastle, Inc.) for their “StormGlass Glass Interlayer”, expiring on 12/11/2018

F. STATEMENTS

1. Statement letter of conformance, complying with FBC-2014 (5th edition), issued, prepared, signed, sealed and dated 07/11/16 by Cody Davis, P. E.
2. Statement letter dated 07/29/16 of successor engineer adopting as his own, another engineer’s work per FAC, Rule Chapter 61G15-27, issued by Master Consulting Engineers, Inc., both signed and sealed by Cody Davis, P. E.
3. Statement letter of compliance, as a part of the above referenced test reports.

G. OTHER

1. This **renews NOA # 13-0606.04**, expiring 07/11/18.
2. Previous associated files with this NOA(s) are # **07-1017.10, 04-0823.05 & # 02-1011.05**.
3. Test Proposal by Q. E. P. dated September 19, 2002, approved by BCCO.

2. Evidence submitted under file #17-1102.03.

A. DRAWINGS

1. Drawing No. **QQ2 REV 4**, titled “16 ga Out swinging Glazed Commercial Steel Door”, sheets 1 through 13 of 13, prepared by manufacturer, dated 02/26/16 and last revised on 02/26/16, signed and sealed by Cody Davis, P. E.

B. Test

1. None.

C. CALCULATIONS

1. None.

D. QUALITY ASSURANCE

1. Miami Dade Department of Regulatory and Economic Resources (RER).

E. MATERIAL CERTIFICATIONS

1. Notice of Acceptance No. **17-1207.05** issued to Dyplastic Products, LLC (former Apache Products Co) for “E& R-Board Expanded Polystyrene rigid Foam Insulation”, expiring on 01/11/2022.

Ishaq I. Chanda, P.E.
Product Control Unit Supervisor
NOA No. 19-0507.04
Expiration Date: January 30, 2024
Approval Date:

NOTICE OF ACCEPTANCE: EVIDENCE SUBMITTED

F. STATEMENTS

1. Statement letter of conformance to FBC 2017 (6th Edition), dated 12/01/17 , prepared by Master Consulting Engineer Inc., signed and sealed by Cody Davis, P. E.
2. Statement later issued by Quality Engineered Prod., dated 02/02/18, requesting one year renewal, subjected to verification test completion per RER e-mail dated Jan 09, 2019, signed by A. Bernstein, V.P.

G. OTHER

1. This NOA conditionally **renews** for **one** year # **15-0422.04**, expiring 01/30/19, subjected to verification test (glazing/hardware), as **laid out** per RER e-mail dated JAN 09, 2018.

3. New Evidence submitted

A. DRAWINGS

1. Drawing No. **QQ2 REV 4**, titled "16 ga Out swinging Glazed Commercial Steel Door", sheets 1 through 13 of 13, prepared by manufacturer, dated 02/26/16 and last revised on 04/30/19 signed and sealed by Cody Davis, P. E.

B. TESTS

1. Test reports on
 - 1) Uniform Static Air Pressure Test, Loading per FBC, TAS 202.
 - 2) Water Resistance Test per FBC, TAS 202-94.
 - 3) Large Missile Impact Test per FBC, TAS 201-94
 - 4) Cyclic Wind Pressure Loading per FBC, TAS 203-94

Along with marked-up drawings and installation diagram of glazed outswing Steel Commercial Steel Doors, prepared by Fenestration Testing Laboratories Inc., Test Report No. **FTLA 1435**, dated April 14, 2019, signed and sealed by Idalmis Ortega, P. E.

C. CALCULATIONS

1. None.

D. QUALITY ASSURANCE

1. Miami Dade Department of Regulatory and Economic Resources (RER).

E. MATERIAL CERTIFICATIONS

1. Notice of Acceptance No. **17-1207.05** issued to Dyplastic Products, LLC (former Apache Products Co) for "E& R-Board Expanded Polystyrene rigid Foam Insulation", expiring on 01/11/2022.
2. Notice of Acceptance No. **15-1201.11** issued to Eastman chemical Company (Former Solutia, Inc.) for their "Saflex clear & color Interlayer", expiring on 05/21/2021.
3. Notice of Acceptance No. **18-0611.02** issued to Oldcastle Building Envelope, Inc. N.J. (Former Oldcastle, Inc.) for their "StormGlass Glass Interlayer", expiring on 11/11/2025.

F. STATEMENTS (Submitted under file #17-1102.03)

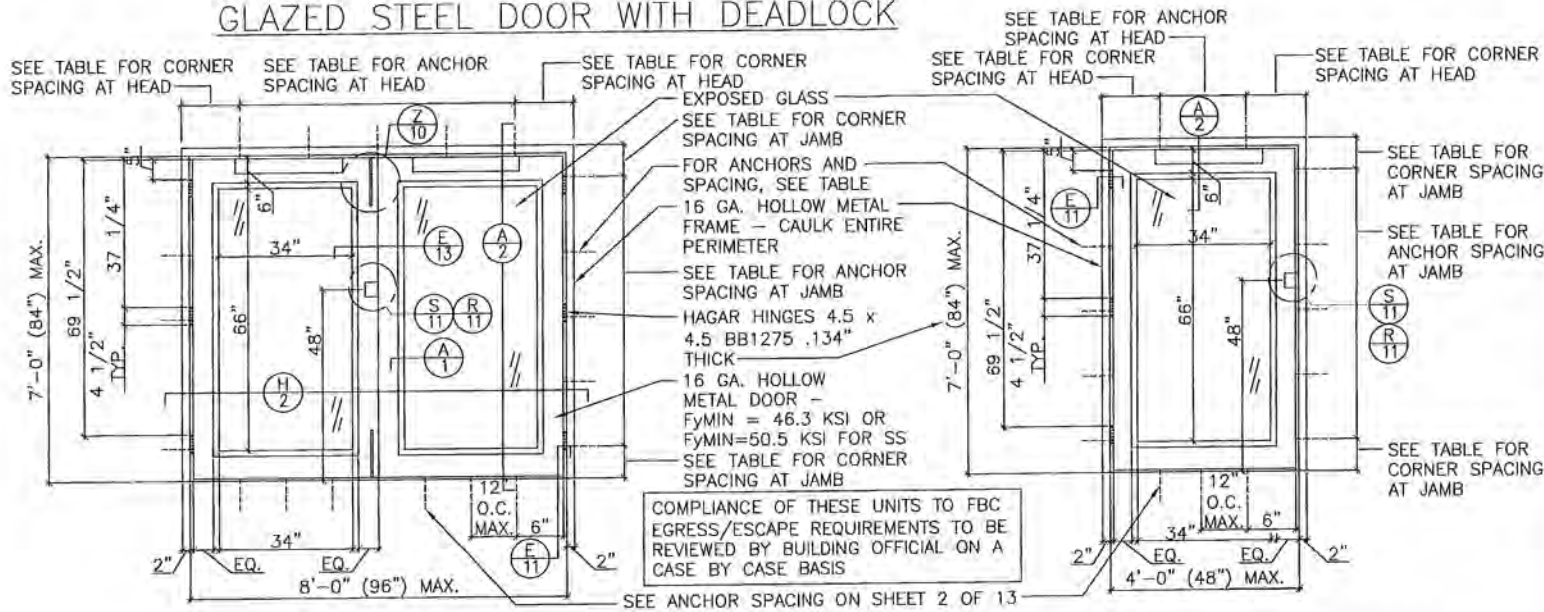
1. Statement letter of conformance to FBC 2017 (6th Edition), dated 12/01/17 , prepared by Master Consulting Engineer Inc., signed and sealed by Cody Davis, P. E.

G. OTHER

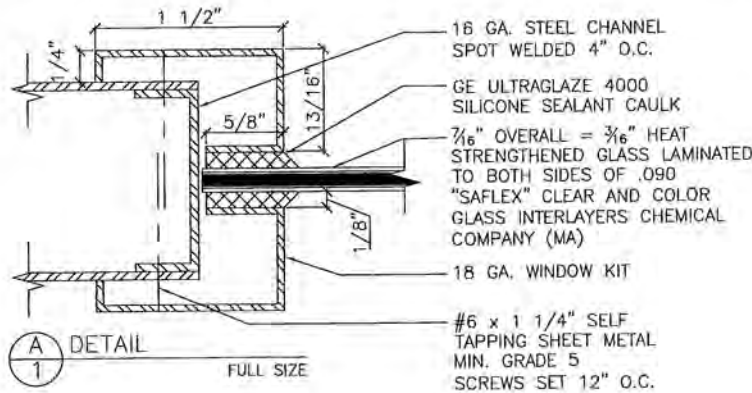
1. This NOA **revises & renews** NOA # **17-1102.03**, expiring 01/30/24.
2. RER e-mail test proposal dated Jan 09, 2018.

Ishaq I. Chanda, P.E.
Product Control Unit Supervisor
NOA No. 19-0507.04
Expiration Date: January 30, 2024
Approval Date:

GLAZED STEEL DOOR WITH DEADLOCK



COMPLIANCE OF THESE UNITS TO FBC EGRESS/ESCAPE REQUIREMENTS TO BE REVIEWED BY BUILDING OFFICIAL ON A CASE BY CASE BASIS



NOTE:
ALL DOORS AND FRAMES ARE BONDERIZED AND GIVEN ONE COAT OF RED RUST INHIBITIVE PRIMER.

LOCK FUNCTION TESTED:
ARROW SERIES
D-41 DEADBOLT

DESIGN PRESSURE RATING
W/ DEADBOLT:
+ 40 PSF / - 50 PSF

HURRICANE PROTECTION SHUTTERS
ARE NOT REQUIRED



INDEX OF DRAWINGS:

- GLAZED STEEL DOOR WITH DEADLOCK
- GLAZED STEEL DOOR WITH RIM EXIT DEVICE AND REMOVABLE MULLION
- GLAZED DOOR WITH MORTISE LOCK (SINGLE DOOR ONLY)
- GLAZED STEEL DOOR WITH "DORMA" RIM EXIT DEVICE AND REMOVABLE MULLION
- DOOR CONSTRUCTION, DOOR AND FRAME REINFORCEMENTS, ANCHOR DETAILS, ANCHOR TABLES, AND COMMON DETAILS

SHEETS:

- 1 THRU 2
- 3 THRU 4
- 5 THRU 6
- 7 THRU 8
- 9 THRU 13

DRAWING NUMBER **QQ2** 16 GA. OUTSWINGING GLAZED COMMERCIAL STEEL DOOR

REVISIONS

- 1 6-28-2000
- 2 2-23-2005
- 3 7-8-2008
- 4 02-26-2016

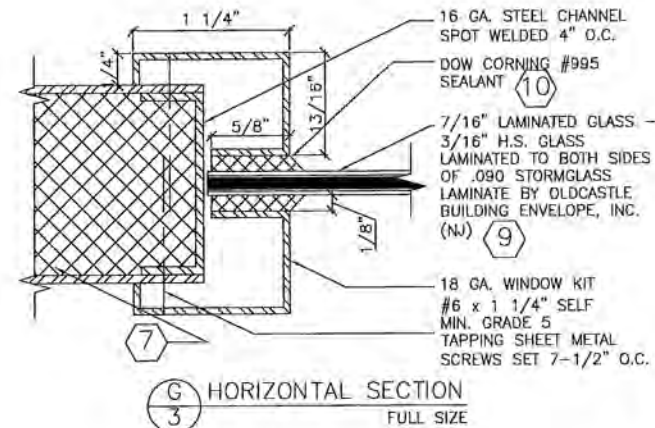
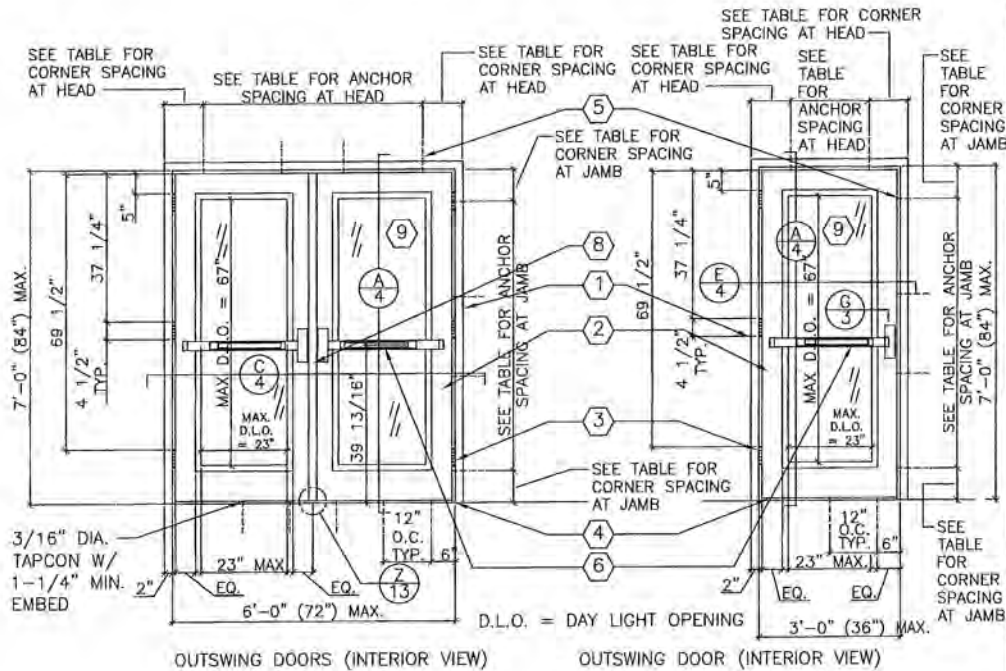
HURRICANE TEST APPROVAL
QQ2

SHEET 1 OF 13

DATE 04-26-19

4506 QUALITY LANE
TAMPA, FLORIDA 33634
(813) 855-1693

Quality Engineered Products Co., Inc.



ITEM #	QUANTITY	BILL OF MATERIALS
1	1	16 GA. (.063") MIN. (14 GA. MAX.) STEEL HOLLOW METAL FRAME F _{MIN} = 46.3 KSI; F _{MIN} = 52.1 KSI (OR S.S. MEETING F _{MIN} = 50.5 KSI; F _{MIN} = 98.5 KSI)
2	2	16 GA. (.063") MIN. (14 GA. MAX.) GLAZED STEEL STORE F _{MIN} = 46.3 KSI; F _{MIN} = 52.1 KSI (OR S.S. MEETING F _{MIN} = 50.5 KSI; F _{MIN} = 98.5 KSI)
3	6	HAGAR HINGES BB1279 4 1/2" x 4 1/2" x 0.134" THICK
4	1	PEMCO 2005AV THRESHOLD
5	SEE ANCHOR TABLE	3/8" x 5" DYNABOLT SLEEVE ANCHOR BY ITW/REDHEAD w/ 3/4" EMT WELDED PIPE SLEEVE w/ 2-1/2" MIN. EMBED & 3" MIN. EDGE DISTANCE CONCRETE OR GROUT FILLED BLOCK
6	2	RIM EXIT DEVICE— PRECISION FL2100/ PRECISION 2100/ SARGENT HC8800/ VON DURPIN 98/99/ CORBIN RUSWIN ED5200
7	AS REQ.	EPS POLYSTYRENE FOAM CORE BY DYNAPLAST OR 20 GA. STEEL RIB OR HONEYCOMB
8	1	PRECISION FL822 REMOVABLE MULLION
9	AS REQ.	3/16" LAMINATED GLASS (3/16" HS + 0.090" STORMGLASS INTERLAYER BY OLDCASTLE BUILDING ENVELOPE, INC. (NJ)
10	AS REQ.	PRECISION CORNING #995 STRUCTURAL SILICONE SEALANT

DESIGN PRESSURE RATING VS. EXIT DEVICE PART #6 & PRECISION REMOVABLE MULLION FL822	POSITIVE	NEGATIVE
SPEC #1 - PRECISION FL2100 RIM EXIT DEVICE OR	+65 PSF *	-65 PSF
SPEC #2 - PRECISION 2100 RIM EXIT DEVICE OR	+65 PSF *	-65 PSF
SPEC #3 - SARGENT RIM EXIT DEVICE HC8800 OR	+70 PSF *	-70 PSF
SPEC #4 - VON DUPRIN RIM EXIT DEVICE 98/99 OR	+70 PSF *	-70 PSF
SPEC #5 - CORBIN RUSWIN RIM EXIT DEVICE ED5200	+65 PSF *	-65 PSF

* = NOT RATED WHERE WATER INFILTRATION IS NEEDED.

GLAZED STEEL DOOR WITH RIM EXIT DEVICE AND REMOVABLE MULLION



DRAWING NUMBER QQ2

DRAWING NUMBER QQ2

4506 QUALITY LANE
TAMPA, FLORIDA 33634
(813) 885-1693

Quality
Engineered
Products Co., Inc.

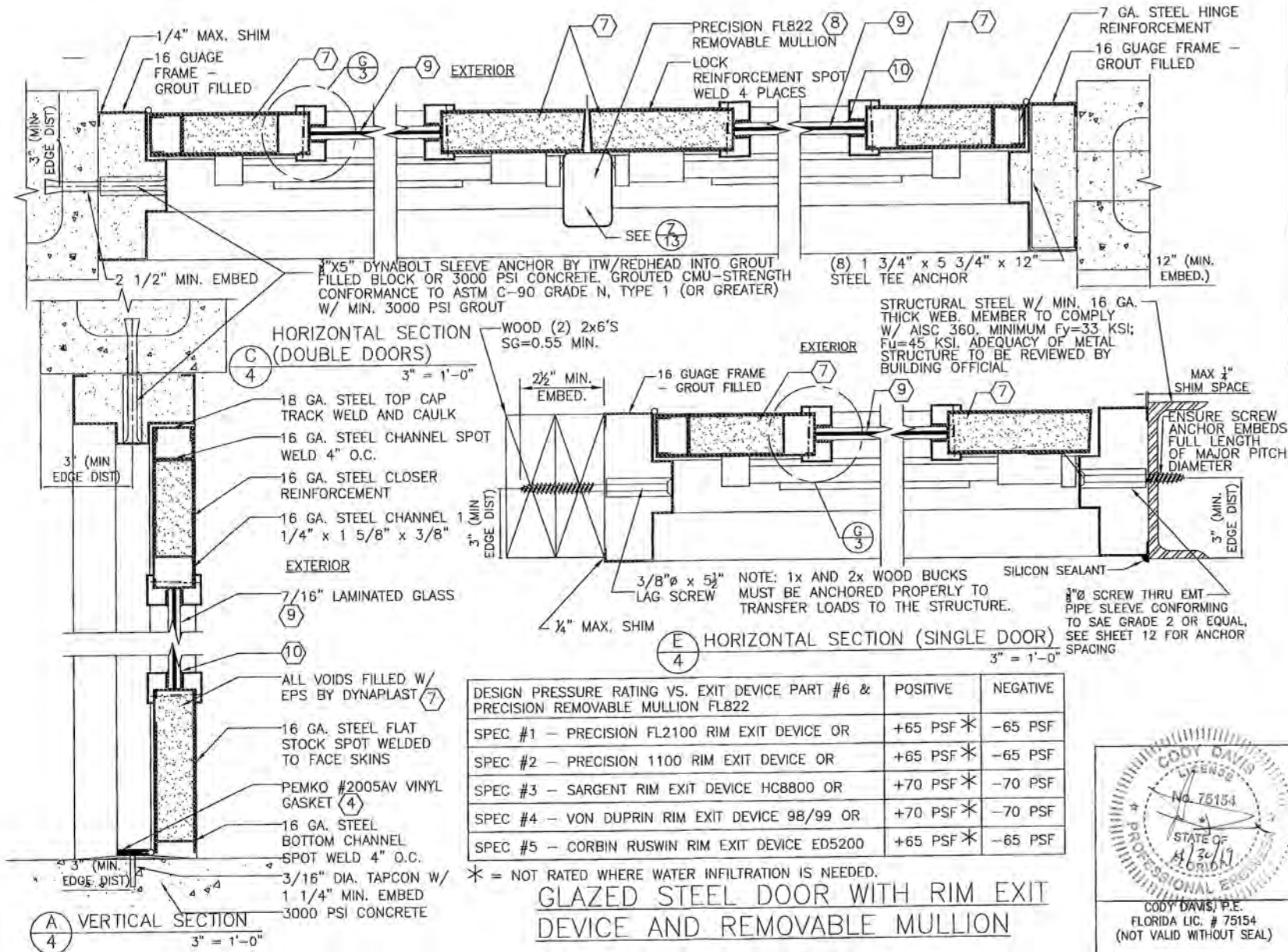
REVISIONS

- 1 6-28-2000
- 2 2-23-2005
- 3 7-8-2008
- 4 02-26-2016

HURRICANE TEST APPROVAL
QQ2

SHEET 3 OF 13

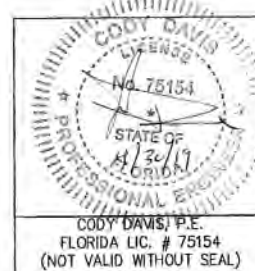
DATE 04-26-19



DESIGN PRESSURE RATING VS. EXIT DEVICE PART #6 & PRECISION REMOVABLE MULLION FL822	POSITIVE	NEGATIVE
SPEC #1 - PRECISION FL2100 RIM EXIT DEVICE OR	+65 PSF *	-65 PSF
SPEC #2 - PRECISION 1100 RIM EXIT DEVICE OR	+65 PSF *	-65 PSF
SPEC #3 - SARGENT RIM EXIT DEVICE HC8800 OR	+70 PSF *	-70 PSF
SPEC #4 - VON DUPRIN RIM EXIT DEVICE 98/99 OR	+70 PSF *	-70 PSF
SPEC #5 - CORBIN RUSWIN RIM EXIT DEVICE ED5200	+65 PSF *	-65 PSF

* = NOT RATED WHERE WATER INFILTRATION IS NEEDED.

GLAZED STEEL DOOR WITH RIM EXIT DEVICE AND REMOVABLE MULLION



16 GA. OUTSWINGING GLAZED COMMERCIAL STEEL DOOR

DRAWING NUMBER QQ2

4506 QUALITY LANE
TAMPA, FLORIDA 33634
(813) 855-1693

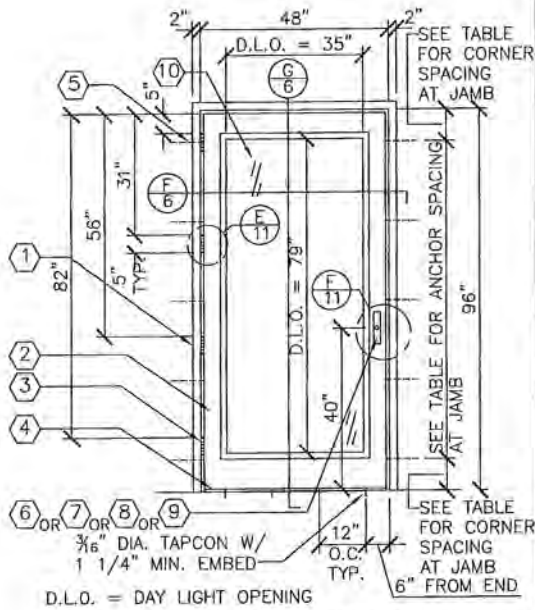
- REVISIONS
- 1 6-28-2000
 - 2 2-23-2005
 - 3 7-8-2008
 - 4 02-26-2016

HURRICANE TEST APPROVAL
QQ2

SHEET 4 OF 13
DATE 04-26-19

Quality Engineered Products Co., Inc.

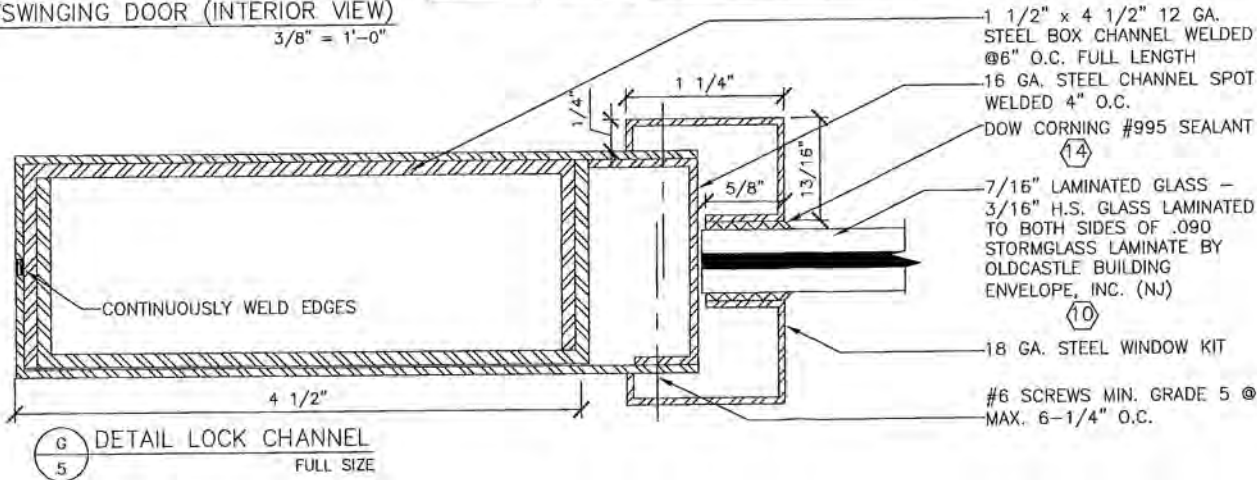
GLAZED STEEL DOOR WITH MORTISE LOCK



OUTSWINGING DOOR (INTERIOR VIEW)
3/8" = 1'-0"

ITEM #	QUANTITY	BILL OF MATERIALS
1	1	16 GA. (.063") MIN. (14 GA. MAX.) STEEL HOLLOW METAL FRAME F _y MIN= 46.3 KSI; F _u MIN= 52.1 KSI (OR S.S. MEETING F _y MIN= 50.5 KSI; F _u MIN= 98.5 KSI)
2	1	16 GA. (.063") MIN. (14 GA. MAX.) GLAZED STEEL STORE F _y MIN= 46.3 KSI; F _u MIN= 52.1 KSI (OR S.S. MEETING F _y MIN= 50.5 KSI; F _u MIN= 98.5 KSI)
3	4	HAGAR HINGES BB1279 4.5 X 4.5 .134" THICK
4	1	PEMKO 2005AV THRESHOLD
5	SEE ANCHOR TABLE	3/8" X 5" DYNBOLT SLEEVE ANCHOR BY ITW/REDHEAD W/2-1/2" MIN. EMBED & 3" MIN. EDGE DIST. INTO 3 KSI CONCRETE OR GROUT FILLED BLOCK
6	1	CORBIN RUSWIN MI2200 MORTISE LOCK
7	1	DORMA ML9953 MORTISE LOCK
8	1	SCHLAGE L9456 MORTISE LOCK
9	1	SARGENT 8243 MORTISE LOCK
10	1	7/16" HS LAMINATED GLASS BY OLDCASTLE BUILDING ENVELOPE, INC. (NJ)
11	1	PEMKO 347A TOP DRIP
12	2	PEMKO 68A DOOR TOP WEATHERSTRIP
13	3	PEMKO 303AS WEATHERSTRIP
14	AS REQ'D	DOW CORNING #995 STRUCTURAL SILICONE SEALANT

DESIGN PRESSURE RATING SINGLE DOOR W/ MORTISE LOCK (ITEM #6, 7, 8, & 9)		
	WHERE AIR & WATER INFILTRATION REQUIREMENT IS NEEDED	WHERE AIR & WATER INFILTRATION REQUIREMENT IS <u>NOT</u> NEEDED
POSITIVE	+90 PSF	+90 PSF
NEGATIVE	-90 PSF	-90 PSF



DETAIL LOCK CHANNEL
FULL SIZE

16 GA. OUTSWINGING GLAZED COMMERCIAL STEEL DOOR

4506 QUALITY LANE
TAMPA, FLORIDA 33634
(813) 887-1693

Quality Engineered Products Co., Inc.

REVISIONS

- 1 6-28-2000
- 2 2-23-2005
- 3 7-8-2008
- 4 02-26-2015

DRAWING NUMBER QQ2

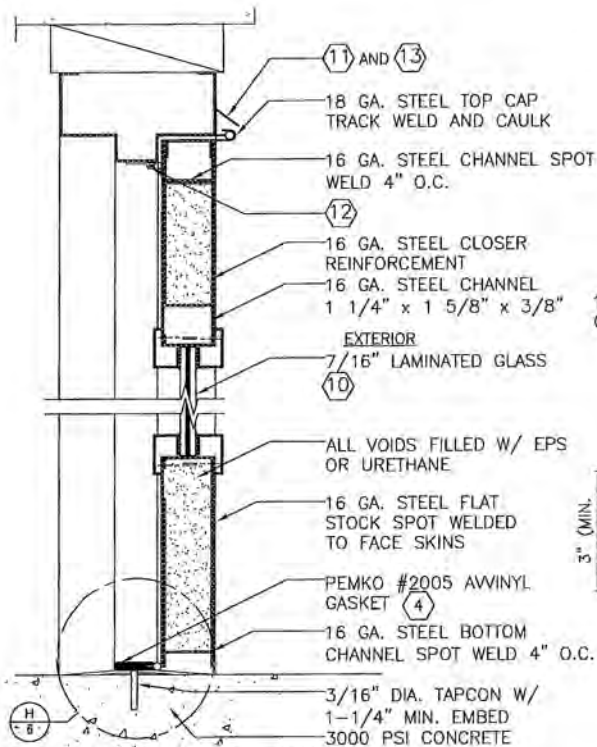
HURRICANE TEST APPROVAL
QQ2

SHEET 5 OF 13

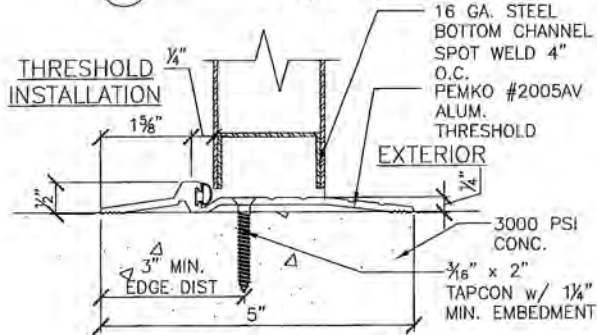
DATE 04-26-19



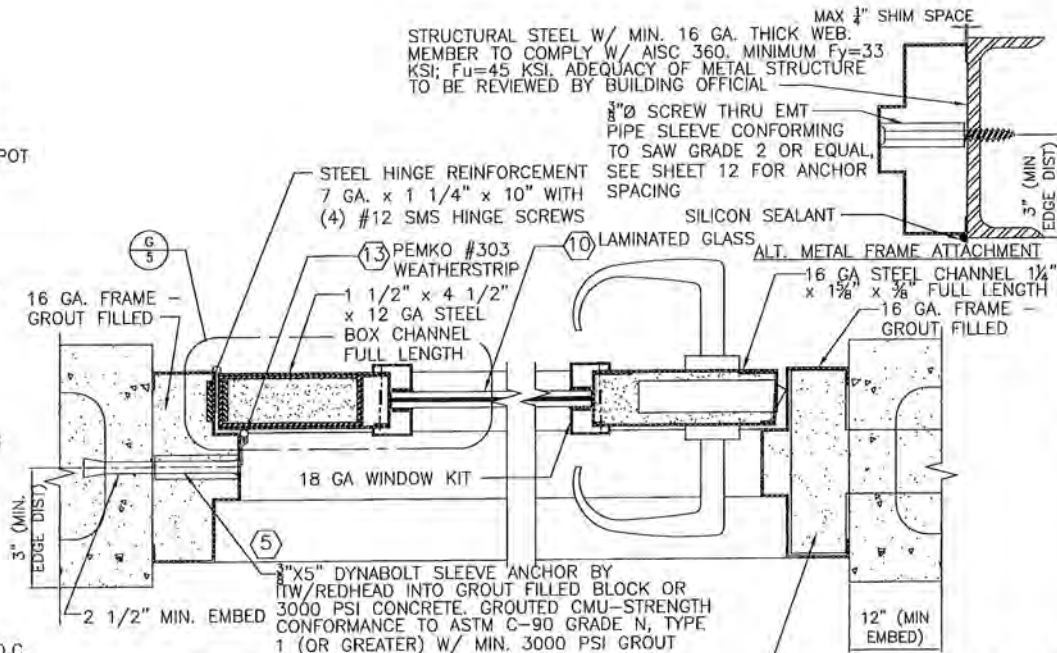
CODY DAVIS, P.E.
FLORIDA LIC. # 75154
(NOT VALID WITHOUT SEAL)



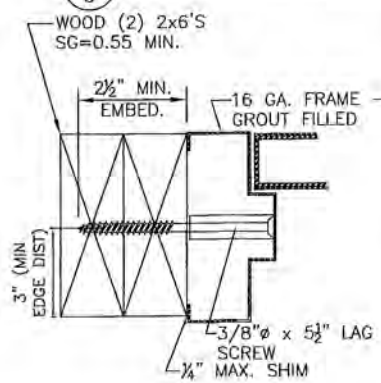
G VERTICAL SECTION
3" = 1'-0"



H DETAIL
HALF SIZE



F HORIZONTAL SECTION (SINGLE DOORS)
3" = 1'-0"



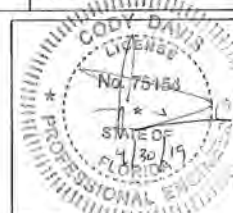
I HORIZONTAL SECTION (SINGLE DOORS)
3" = 1'-0"

STRUCTURAL STEEL W/ MIN. 16 GA. THICK WEB. MEMBER TO COMPLY W/ AISC 360. MINIMUM Fy=33 KSI; Fu=45 KSI. ADEQUACY OF METAL STRUCTURE TO BE REVIEWED BY BUILDING OFFICIAL

DESIGN PRESSURE RATING SINGLE DOOR W/ MORTISE LOCK (ITEM #6, 7, 8, & 9)

	WHERE AIR & WATER INFILTRATION REQUIREMENT IS NEEDED	WHERE AIR & WATER INFILTRATION REQUIREMENT IS NOT NEEDED
POSITIVE	+90 PSF	+90 PSF
NEGATIVE	-90 PSF	-90 PSF

NOTE: 1x AND 2x WOOD BUCKS MUST BE ANCHORED PROPERLY TO TRANSFER LOADS TO THE STRUCTURE.



CODY DAVIS, P.E.
FLORIDA LIC. # 75154
(NOT VALID WITHOUT SEAL)

16 GA. OUTSWINGING GLAZED COMMERCIAL STEEL DOOR

4506 QUALITY LANE
TAMPA, FLORIDA 33634
(813) 855-1883

Quality Engineered Products Co., Inc.

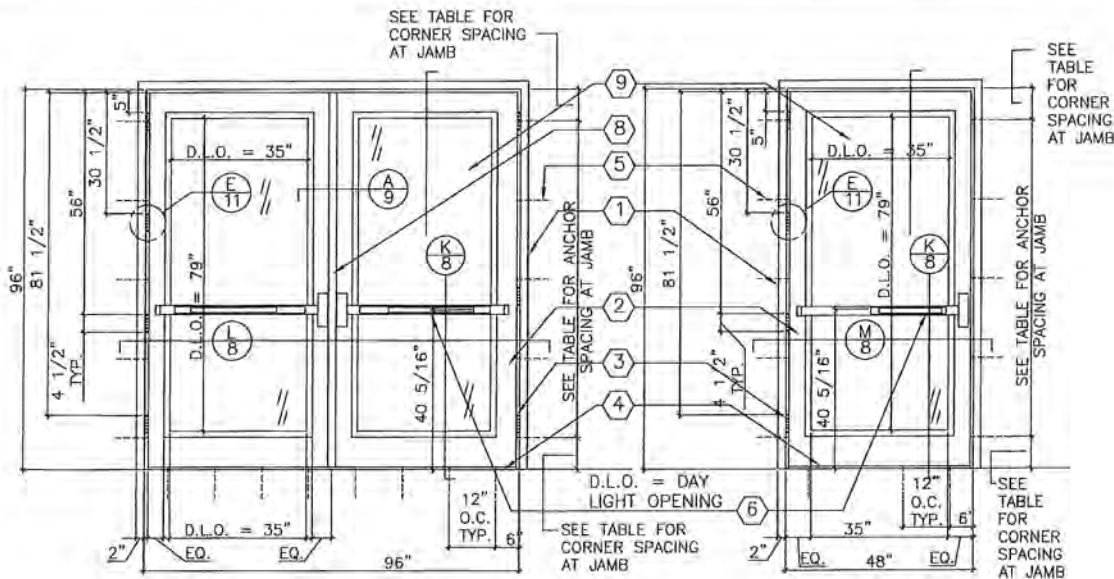
- REVISIONS
- 1 6-28-2000
 - 2 2-23-2005
 - 3 7-8-2008
 - 4 02-26-2016

DRAWING NUMBER Q02

HURRICANE TEST APPROVAL
Q02

SHEET 6 OF 13

DATE 04-26-19



OUTSWINGING PAIR OF DOORS (INTERIOR VIEW)

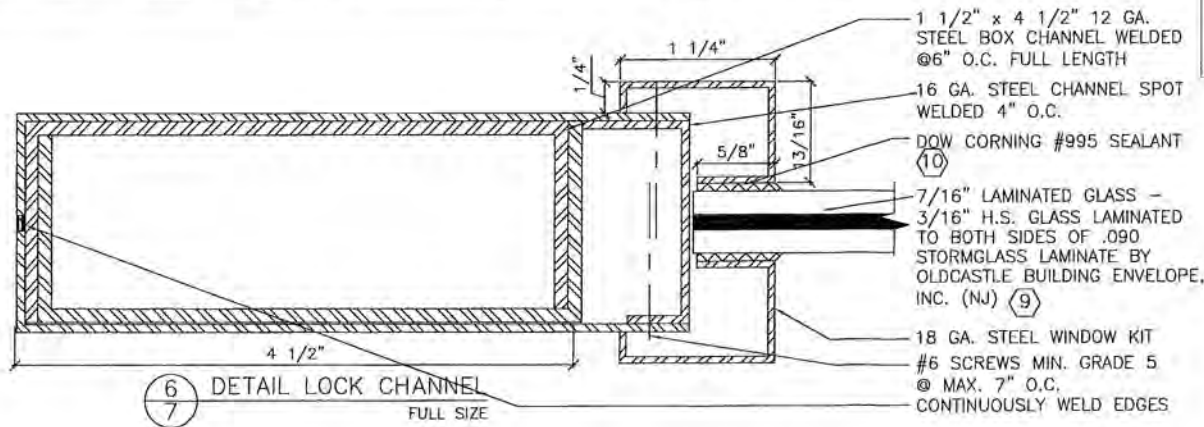
OUTSWINGING SINGLE DOOR (INTERIOR VIEW)

ITEM #	QUANTITY	BILL OF MATERIALS
1	1	16 GA. (.063") MIN. (14 GA. MAX.) STEEL HOLLOW METAL FRAME F _y MIN= 46.3 KSI; F _u MIN= 52.1 KSI (OR S.S. MEETING F _y MIN= 50.5 KSI; F _u MIN= 98.5 KSI)
2	2	18 GA. (.063") MIN. (14 GA. MAX.) GLAZED STEEL STORE F _y MIN= 46.3 KSI; F _u MIN= 52.1 KSI (OR S.S. MEETING F _y MIN= 50.5 KSI; F _u MIN= 98.5 KSI)
3	8	HAGAR HINGES 4.5 x 4.5 BB1279 .134" THICK
4	1	PEMKO 2005AV THRESHOLD
5	10	3/8" X 5" DYNABOLT SLEEVE ANCHOR BY ITW/REDHEAD w/ 3/4" EMT WELDED PIPE SLEEVE w/ 2-1/2" MIN. EMBED & 3" MIN. EDGE DISTANCE CONCRETE OR GROUT FILLED BLOCK
6	2	DORMA VERTICAL ROD EXIT DEVICE HCF9400 OR HCF9300 X YR08
7	AS REQ'D	EPS POLYSTYRENE FOAM CORE BY DYNOLAST OR 20 GA. STEEL RIB OR HONEYCOMB
8	1	DORMA HC1300 REMOVABLE MULLION (DOUBLE DOORS) (NOT REQ. FOR VERTICAL ROD)
9	AS REQ'D	7/16" LAMINATED GLASS (3/16" HS + .090" INTERLAYER BY OLDCASTLE BUILDING ENVELOPE, INC. (NJ)
10	AS REQ'D	DOW CORNING #995 STRUCTURAL SILICONE SEALANT
11	2	PEMKO 68A DOOR TOP WEATHERSTRIP
12	3	NATIONAL GUARD #130SA WEATHERSTRIP
13	1	PEMKO 347A TOP DRIP

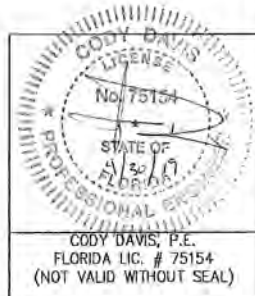
PAIR GLAZED STEEL DOORS W/DORMA VERTICAL ROD EXIT DEVICES OR RIM EXIT DEVICES W/REMOVABLE MULLION

SINGLE GLAZED DOOR W/RIM EXIT DEVICE

DESIGN PRESSURE RATING DORMA RIM EXIT 9300 W/ REMOVABLE MULLION HC1300		DESIGN PRESSURE RATING DORMA HCF9400 VERTICLE ROD EXIT DEVICE		DESIGN PRESSURE RATING SINGLE DOOR WITH DORMA RIM EXIT 9300	
WHERE AIR & WATER INFILTRATION REQUIREMENT IS NEEDED	WHERE AIR & WATER INFILTRATION REQUIREMENT IS NOT NEEDED	WHERE AIR & WATER INFILTRATION REQUIREMENT IS NEEDED	WHERE AIR & WATER INFILTRATION REQUIREMENT IS NOT NEEDED	WHERE AIR & WATER INFILTRATION REQUIREMENT IS NEEDED	WHERE AIR & WATER INFILTRATION REQUIREMENT IS NOT NEEDED
POSITIVE +80 PSF	+80 PSF	POSITIVE +80 PSF	+80 PSF	POSITIVE +80 PSF	+80 PSF
NEGATIVE -65 PSF	-65 PSF	NEGATIVE -80 PSF	-80 PSF	NEGATIVE -80 PSF	-80 PSF



6 4 1/2" FULL SIZE
7 DETAIL LOCK CHANNEL



16 GA. OUTSWINGING GLAZED COMMERCIAL STEEL DOOR

DRAWING NUMBER QQ2

HURRICANE TEST APPROVAL
QQ2

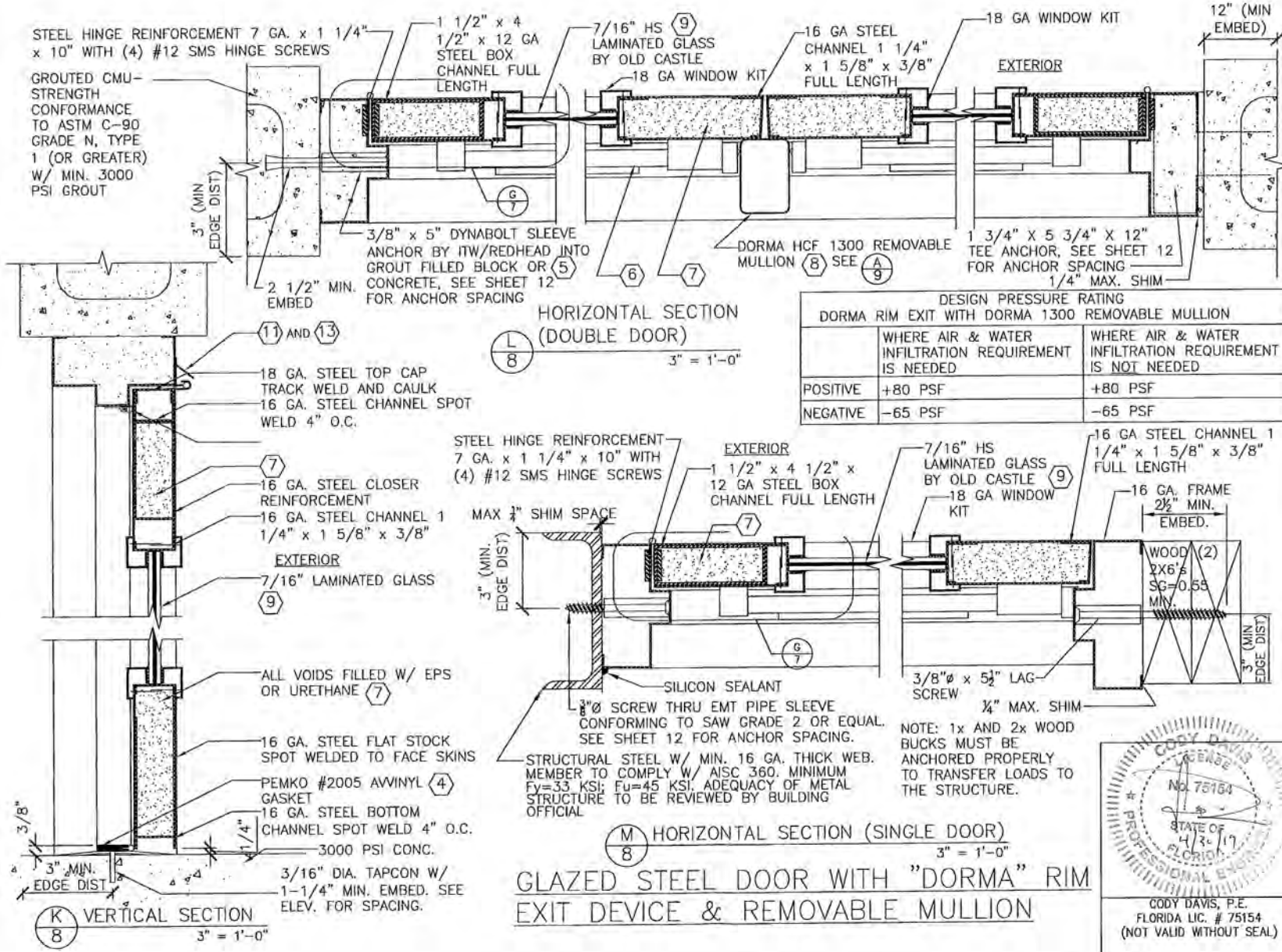
SHEET 7 OF 13

DATE 04-26-19

4506 QUALITY LANE
TAMPA, FLORIDA 33634
(813) 865-1693

Quality Engineered Products Co., Inc.

REVISIONS
1 6-28-2000
2 2-23-2005
3 7-8-2008
4 04-26-2019



DESIGN PRESSURE RATING
DORMA RIM EXIT WITH DORMA 1300 REMOVABLE MULLION

	WHERE AIR & WATER INFILTRATION REQUIREMENT IS NEEDED	WHERE AIR & WATER INFILTRATION REQUIREMENT IS NOT NEEDED
POSITIVE	+80 PSF	+80 PSF
NEGATIVE	-65 PSF	-65 PSF



CODY DAVIS, P.E.
FLORIDA LIC. # 75154
(NOT VALID WITHOUT SEAL)

DRAWING NUMBER QQZ

4506 QUALITY LANE
TAMPA, FLORIDA 33634
(813) 885-1893

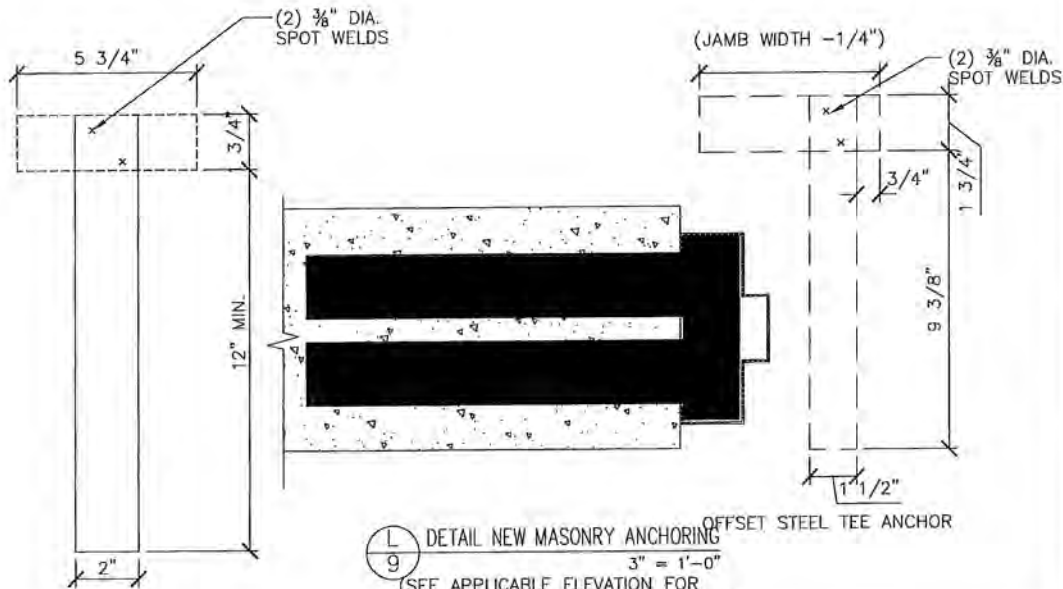
Quality Engineered Products Co., Inc.

REVISIONS
1 6-28-2000
2 2-23-2005
3 7-8-2008
4 02-26-2016

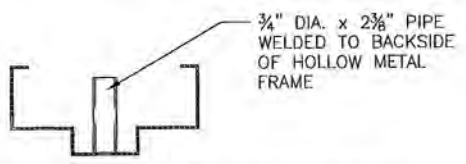
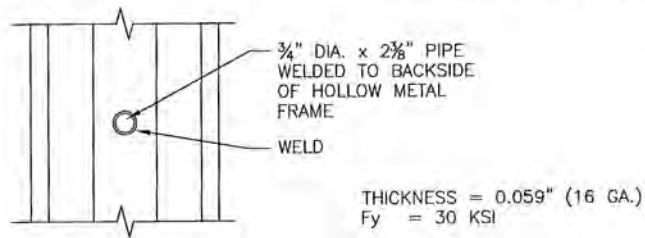
HURRICANE TEST APPROVAL
QQZ

SHEET 8 OF 13

DATE 04-26-19

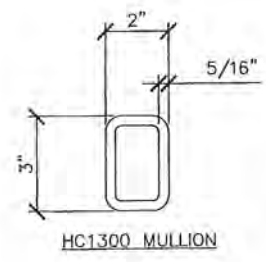


(L) 9
 DETAIL NEW MASONRY ANCHORING
 3" = 1'-0"
 (SEE APPLICABLE ELEVATION FOR NUMBER OF 'T' ANCHORS REQUIRED)

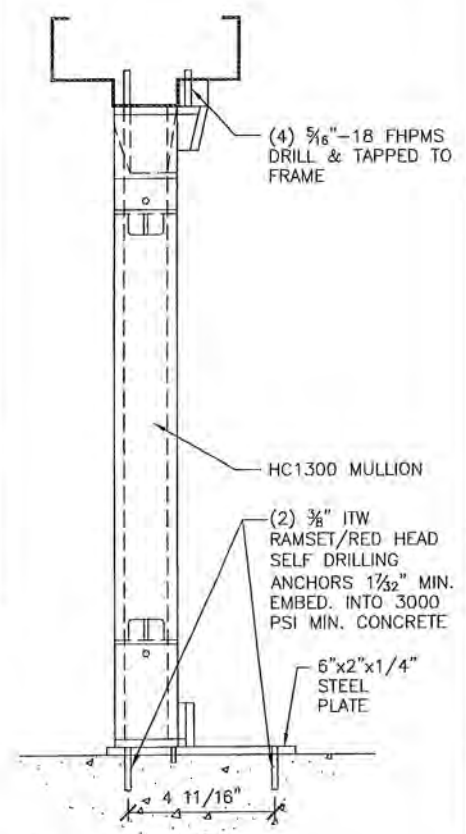


(M) 9
 PIPE SLEEVE DETAIL
 3" = 1'-0"

'T' ANCHOR DETAILS



DORMA HC-1300
 REMOVABLE MULLION

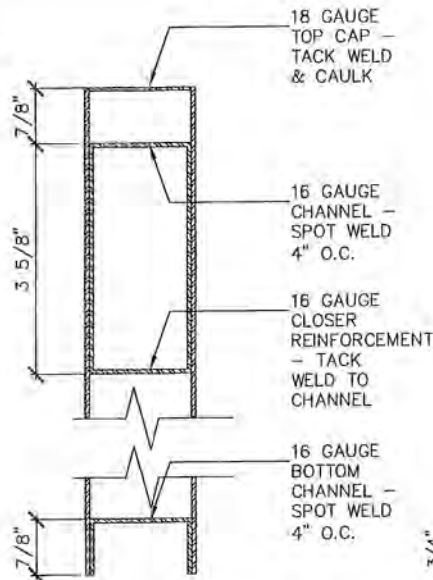
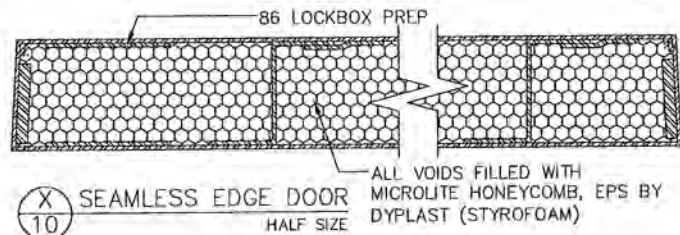
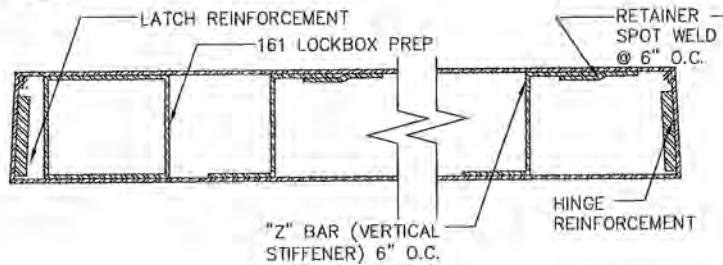
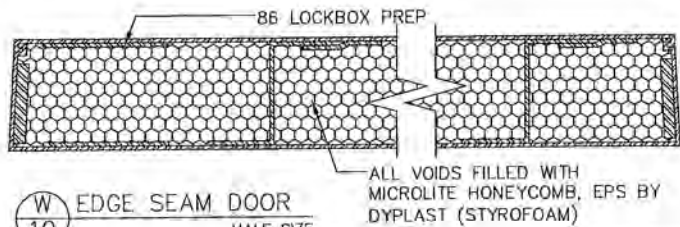
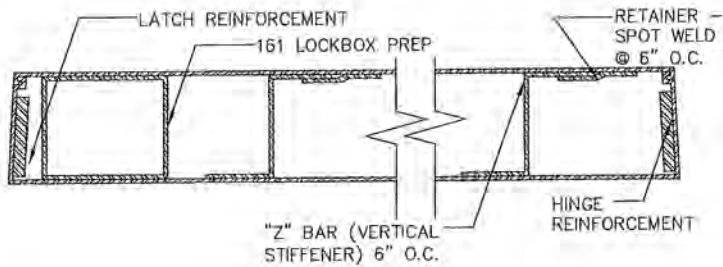


(A) 9
 VERTICAL SECTION
 3" = 1'-0"

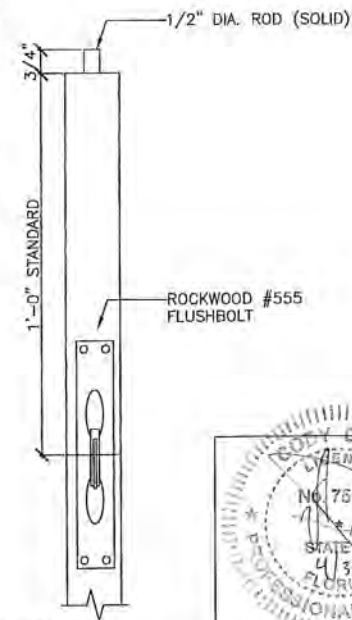


CODY DAVIS, P.E.
 FLORIDA LIC. # 75154
 (NOT VALID WITHOUT SEAL)

DRAWING NUMBER	16 GA. OUTSWINGING GLAZED COMMERCIAL STEEL DOOR
	QQ2
HURRICANE TEST APPROVAL	QQ2
	SHEET 9 OF 13
DATE	04-26-19
REVISIONS	1 6-28-2000 2 2-23-2005 3 7-8-2008 4 02-26-2016
QUALITY ENGINEERED PRODUCTS Co., Inc.	4506 QUALITY LANE TAMPA, FLORIDA 33634 (813) 885-1693



Y
10 VERTICAL DOOR SECTION
HALF SIZE



Z
10 DETAIL
3\"/>

DOOR PANEL CONSTRUCTION DETAILS

16 GA. OUTSWINGING GLAZED COMMERCIAL STEEL DOOR

4506 QUALITY LANE
TAMPA, FLORIDA 33634
(813) 885-1893

*Quality
Engineered
Products Co., Inc.*

REVISIONS

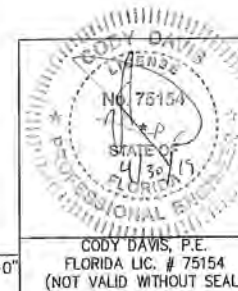
- 1 6-28-2000
- 2 2-23-2005
- 3 7-8-2008
- 4 02-26-2016

DRAWING NUMBER QQZ

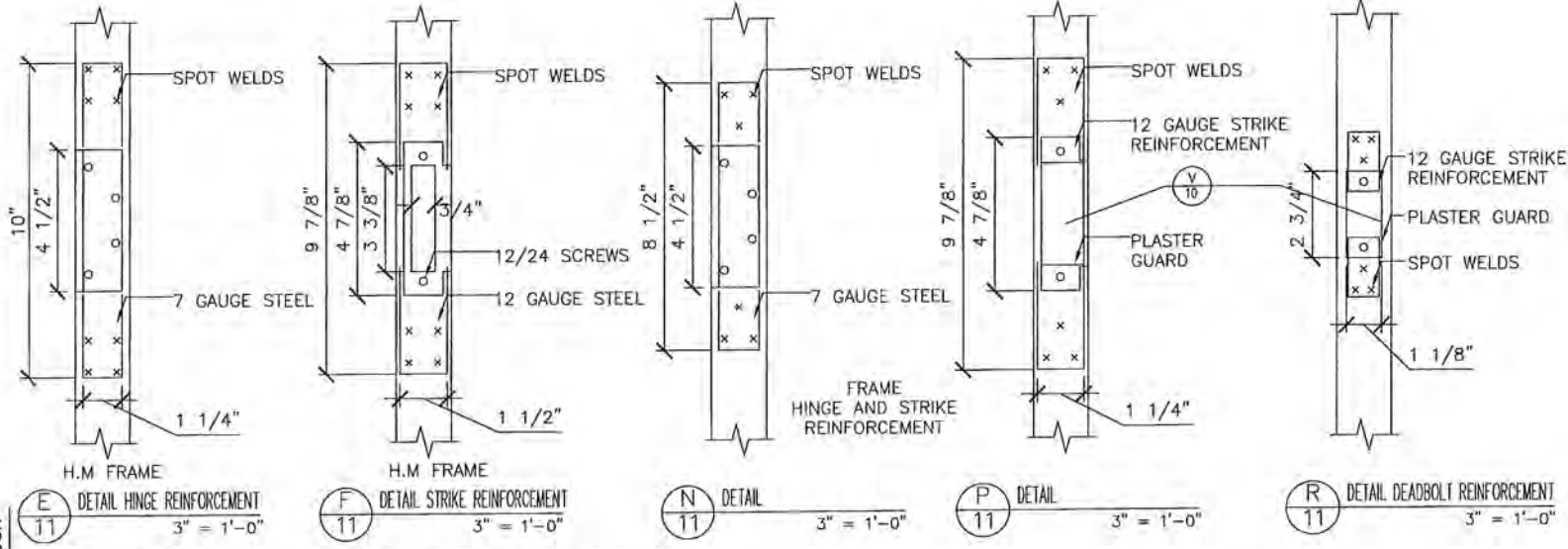
HURRICANE TEST APPROVAL
QQZ

SHEET 10 OF 13

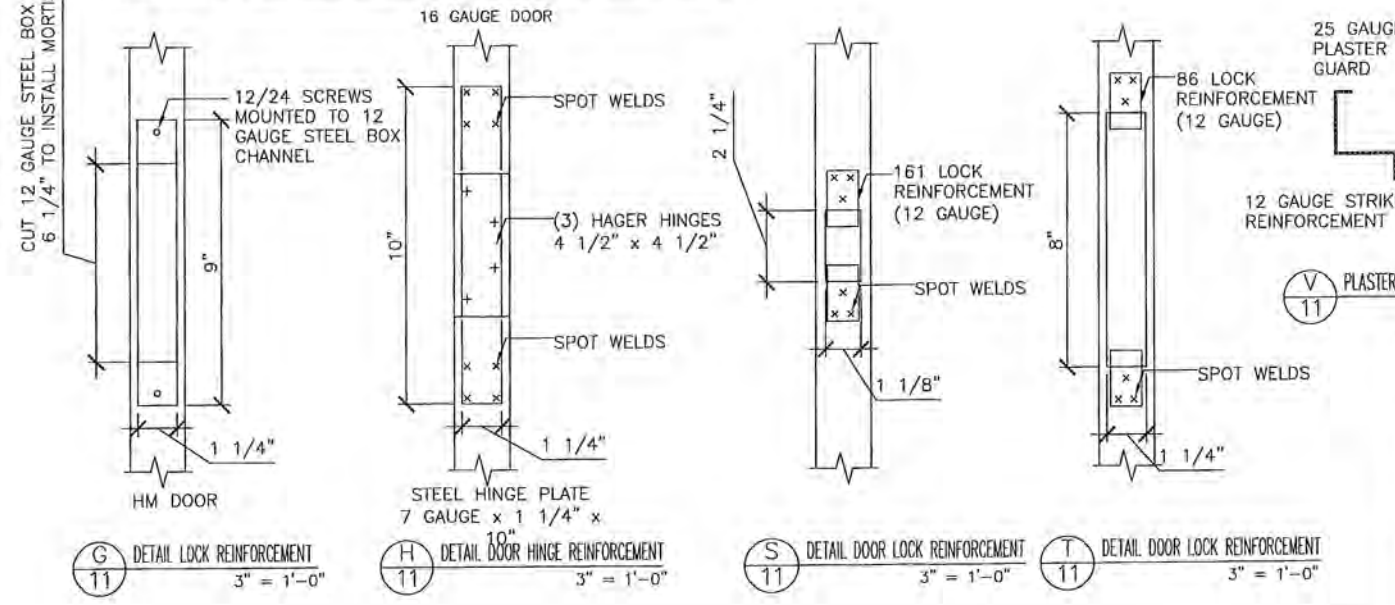
DATE 04-26-19



CODY DAVIS, P.E.
FLORIDA LIC. # 75154
(NOT VALID WITHOUT SEAL)



DOOR & FRAME REINFORCEMENTS



PROFESSIONAL ENGINEER
 CODY DAVIS
 LICENSE
 No. 75154
 STATE OF
 FLORIDA
 4/20/17

CODY DAVIS, P.E.
 FLORIDA LIC. # 75154
 (NOT VALID WITHOUT SEAL)

DRAWING NUMBER QQZ

DRAWING NUMBER 16 GA. OUTSWINGING GLAZED COMMERCIAL STEEL DOOR

HURRICANE TEST APPROVAL QQZ

REVISIONS

1	6-28-2000
2	2-23-2005
3	7-8-2008
4	02-26-2016

DATE 04-26-19

SHEET 11 OF 13

4506 QUALITY LANE
 TAMPA, FLORIDA 33634
 (813) 885-1693

Quality Engineered Products Co., Inc.

7'-0" Height
Anchor and Spacing Table

See Sheet 1	GLAZED STEEL DOOR WITH DEADLOCK	ANCHOR	SUBSTRATE	MAX SPACING		JAMB		HEAD	
				JAMB	HEAD	NUMBER OF ANCHORS	MAX. CORNER SPACING	NUMBER OF ANCHORS	MAX. CORNER SPACING
				DOUBLE DOOR		3/8" DYNABOLT	CMU	24"	22"
		1" ANCHOR	CMU	24"	-	4	8"	-	-
		SCREW	STEEL	20"	20"	5	10"	5	10"
		LAG	WOOD	10"	10"	9	5"	10	5"
SINGLE DOOR		3/8" DYNABOLT	CMU	24"	-	4	8"	2	10"
		1" ANCHOR	CMU	24"	-	4	8"	-	-
		SCREW	STEEL	24"	24"	4	12"	3	12"
		LAG	WOOD	20"	20"	5	10"	3	10"

7'-0" Height
Anchor and Spacing Table

See Sheet 3	GLAZED STEEL DOOR WITH RIM EXIT DEVICE AND REMOVABLE MULLION	ANCHOR	SUBSTRATE	MAX SPACING		JAMB		HEAD	
				JAMB	HEAD	NUMBER OF ANCHORS	MAX. CORNER SPACING	NUMBER OF ANCHORS	MAX. CORNER SPACING
				DOUBLE DOOR		3/8" DYNABOLT	CMU	24"	20"
		1" ANCHOR	CMU	24"	-	4	8"	-	-
		SCREW	STEEL	20"	20"	5	8"	4	10"
		LAG	WOOD	10"	10"	9	3"	6	5"
SINGLE DOOR		3/8" DYNABOLT	CMU	24"	-	4	8"	2	8"
		1" ANCHOR	CMU	24"	-	4	8"	-	-
		SCREW	STEEL	24"	24"	4	9"	2	12"
		LAG	WOOD	16"	16"	6	6"	3	8"

8'-0" Height
Anchor and Spacing Table

See Sheet 5	GLAZED STEEL DOOR WITH MORTISE LOCK	ANCHOR	SUBSTRATE	MAX SPACING		JAMB	
				JAMB	NUMBER OF ANCHORS	MAX. CORNER SPACING	
				DOUBLE DOOR		3/8" DYNABOLT	CMU
		1" ANCHOR	CMU	24"	5	8"	
		SCREW	STEEL	20"	5	10"	
		LAG	WOOD	10"	10	5"	

8'-0" Height
Anchor and Spacing Table

See Sheet 7	GLAZED STEEL DOOR WITH "DORMA" RIM EXIT DEVICE AND REMOVABLE MULLION	ANCHOR	SUBSTRATE	MAX SPACING		JAMB	
				JAMB	NUMBER OF ANCHORS	MAX. CORNER SPACING	
				DOUBLE DOOR		3/8" DYNABOLT	CMU
		1" ANCHOR	CMU	24"	5	8"	
		SCREW	STEEL	12"	9	3"	
		LAG	WOOD	6"	17	1" TOP, 3" BOTTOM	
SINGLE DOOR		3/8" DYNABOLT	CMU	20"	5	8"	
		1" ANCHOR	CMU	24"	5	8"	
		SCREW	STEEL	20"	8	8"	
		LAG	WOOD	12"	9	3"	

ANCHOR AND SPACING TABLES

DRAWING NUMBER **QQ2** 16 GA. OUTSWINGING GLAZED COMMERCIAL STEEL DOOR

4506 QUALITY LANE
TAMPA, FLORIDA 33634
(813) 885-1693

Quality
Engineered
Products Co., Inc.

REVISIONS

- 1 6-28-2000
- 2 2-23-2005
- 3 7-8-2008
- 4 02-26-2016

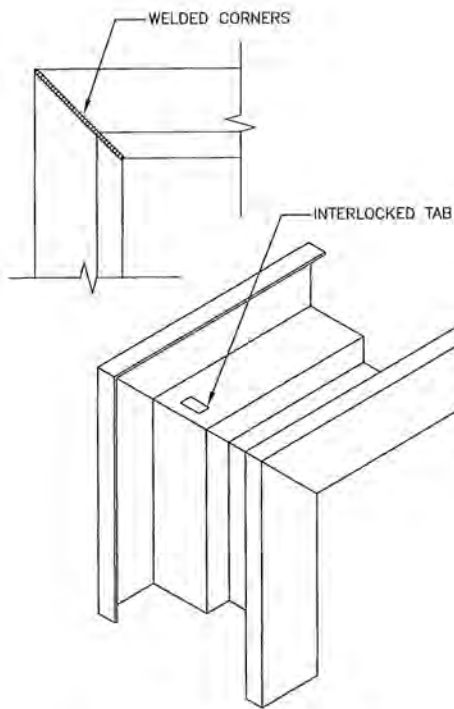
HURRICANE TEST APPROVAL
QQ2

SHEET 12 OF 13

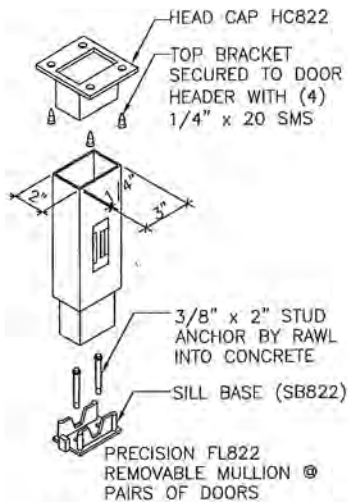
DATE 04-26-19



CODY DAVIS, P.E.
FLORIDA LIC. # 75154
(NOT VALID WITHOUT SEAL)

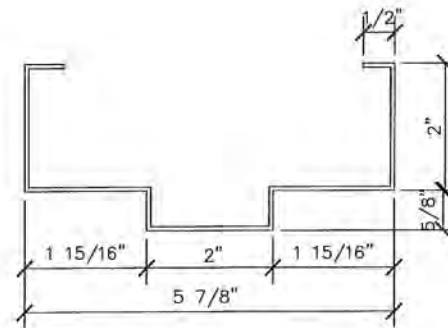


○ TYPICAL CORNER DETAIL
3" = 1'-0"

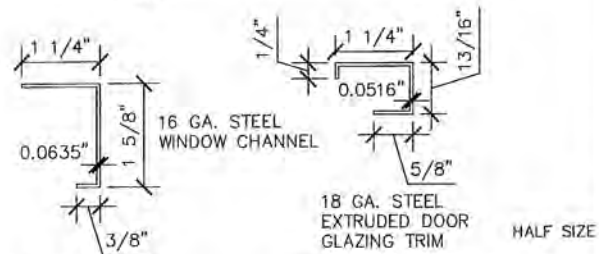


○ Z DETAIL REMOVABLE MULLION
13 1 1/2" = 1'-0"

COMMON DETAILS

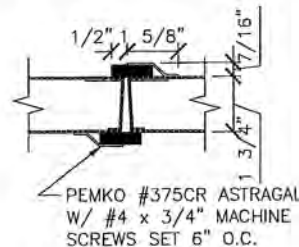


○ E DETAIL 16 GA. FRAME PROFILE
13 HALF SIZE



○ DETAIL HALF SIZE

○ DETAIL 18 GA. WINDOW KIT



○ E DETAIL ASTRAGAL
13 3" = 1'-0"



CODY DAVIS, P.E.
FLORIDA LIC. # 75154
(NOT VALID WITHOUT SEAL)

DRAWING NUMBER Q02

16 GA. OUTSWINGING GLAZED COMMERCIAL STEEL DOOR

4506 QUALITY LANE
TAMPA, FLORIDA 33634
(813) 885-1993

Quality Engineered Products Co., Inc.

REVISIONS

- 1 6-28-2000
- 2 2-23-2005
- 3 7-8-2008
- 4 02-26-2016

HURRICANE TEST APPROVAL
Q02

SHEET 13 OF 13

DATE 04-26-19