

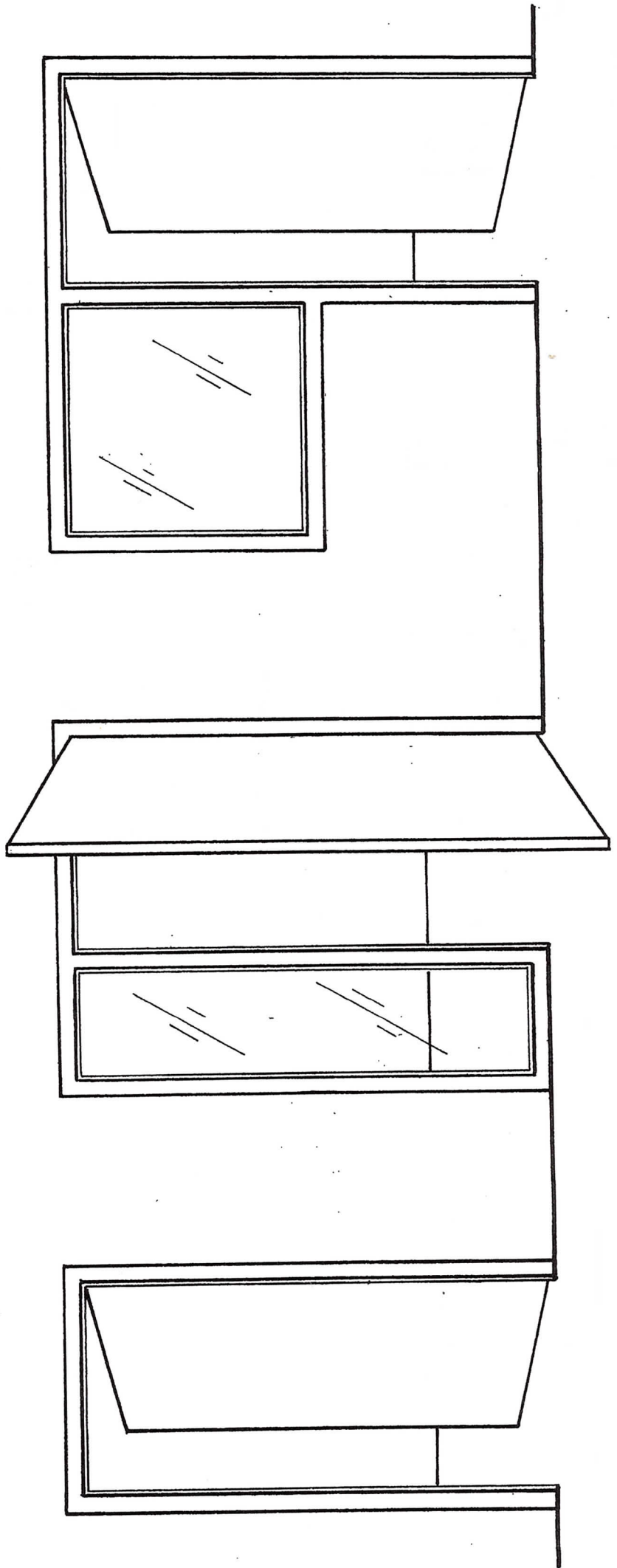
# QUALITY ENGINEERED

# PRODUCTS

# COMPANY, INC.

## MANUFACTURERS OF STEEL DOORS AND FRAMES

*\*Revised 10/8/2020\**



JOB:

*D.T. Jari Billboard Preparatory Academy*

LOCATION:

*Dade FL*

ARCHITECT:

*Laura M. Perez Assoc.*

CONTRACTOR:

*Florida Be Mark Construction*

DRAWN BY:

*Andrew Bensten*

DATE:

*9/8/2020*

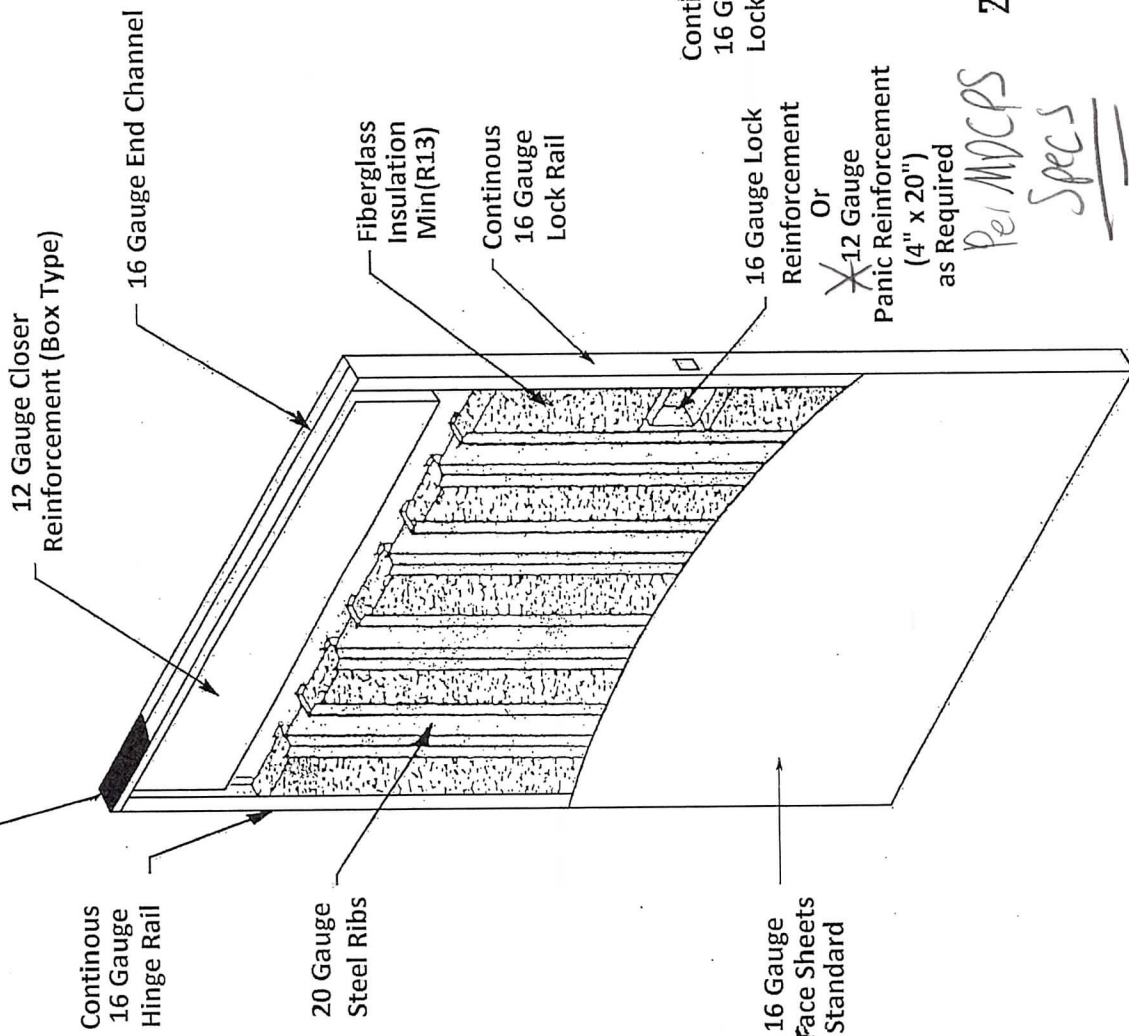
SHEET 1 OF 8

JOB NUMBER:

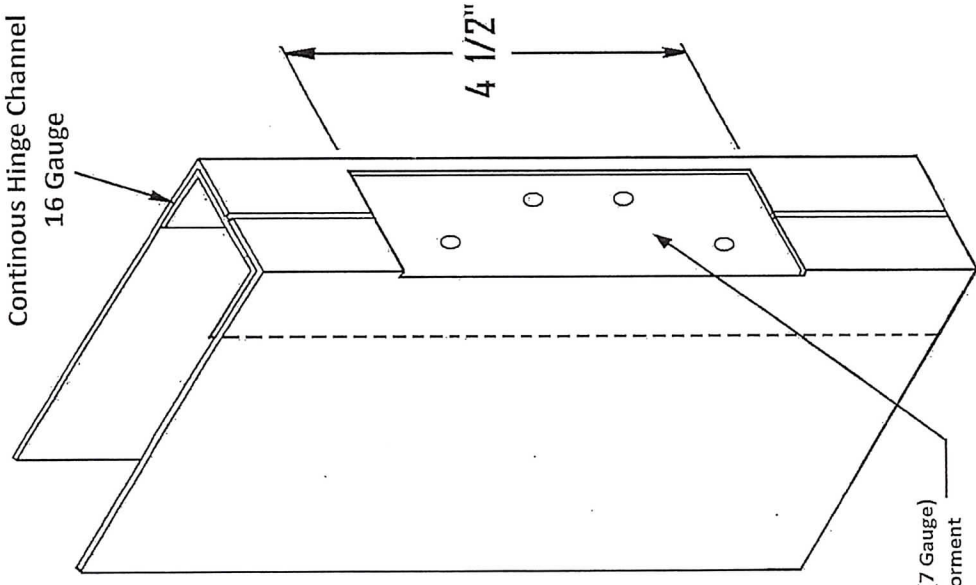
*20-385*

# Door Construction Details (Dade County Public Schools)

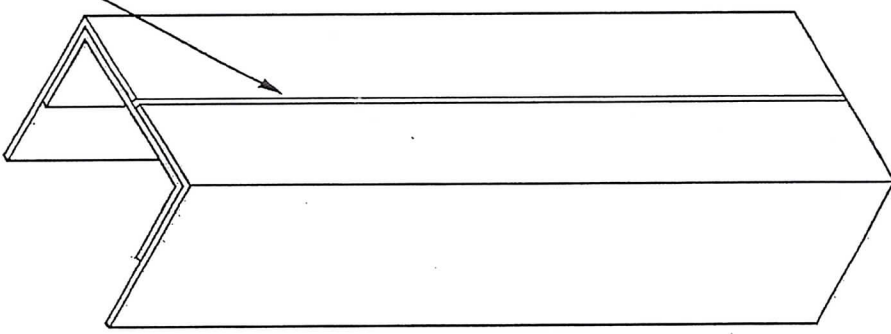
Exterior Door tops to be Flush Filled in and Sanded to assure a Watertight Seal



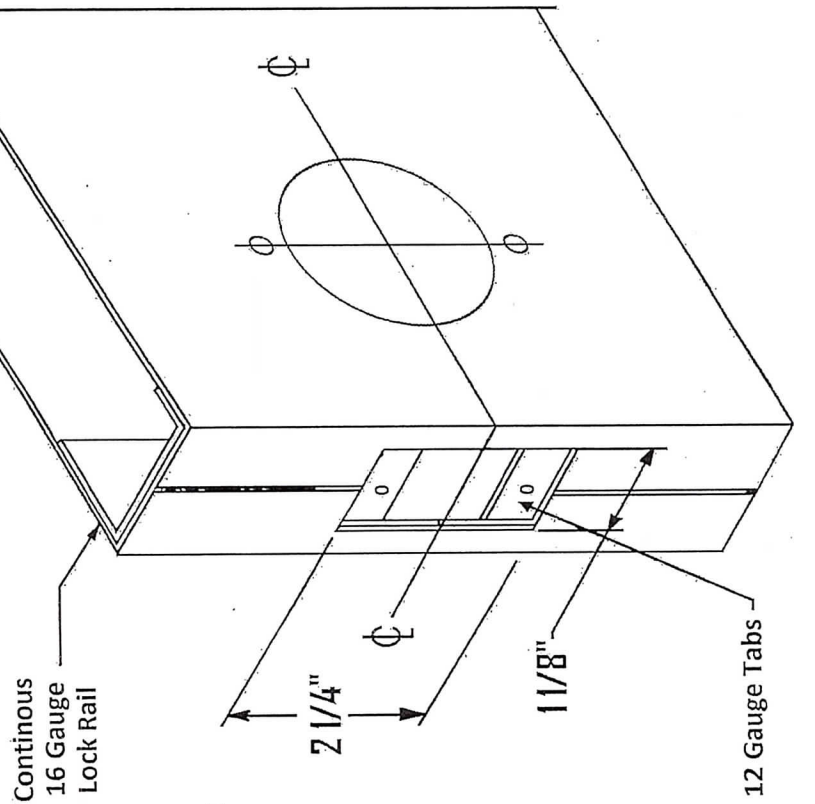
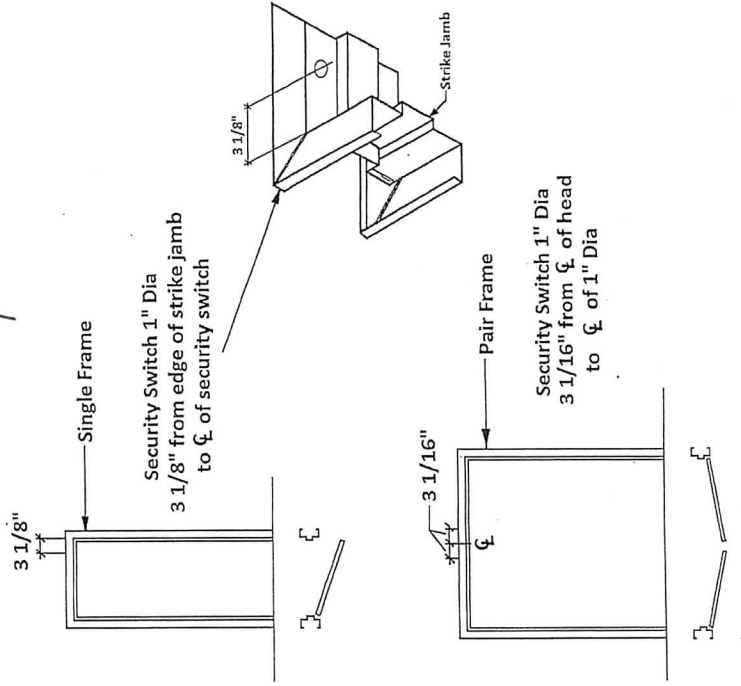
Meets or Exceeds Requirements of ANSI Specification A250.8 for Levels 3 and 4, Physical performance Level A, Model 1 and 2



Edges are Continuously Welded and Ground Smooth



Security Switch Preparation



COMPANY, INC.

PRODUCTS

ENGINEERED

QUALITY

JOB: *D. Tom. Bilbas Rep/Am*

LOCATION: *Dade/FZ*

CUSTOMER: *Florida Dept of Ed*

SHEET 3 OF 8

DATE: *9/8/00*



FRAME MATERIAL : EXTERIOR FRAMES TO BE 10ga STEEL. INTERIOR FRAMES TO BE 10ga STEEL.

DOOR MATERIAL : EXTERIOR DOORS TO BE 10ga STEEL. INTERIOR DOORS TO BE 10ga STEEL.

\*All Exterior Doors Frames to be prep'd with a "Diamond Security Switch Replication" See Page 3  
\* Unless Specified below, TM Davis Frames to be... \*GENERAL NOTES \* For Manufacture to the MDC's Design Criteria; OBAO Specifications \*  
\* For All Exterior TM Davis Frames, NOA's to be submitted can be found either in the "Remarks Column" per the TM Shop Drawings and the "Addendum" sheets

Hollow metal doors and frames must be stored under cover and upright.  
Doors and frames shall be bonderized and receive one coat of grey rust inhibitive zinc chromate or zinc oxide air dried primer, 2 mils thick.  
Frames will be supplied with three anchors per jamb, base anchors, and removable spreader bars to insure construction during shipment. Labeled anchors will be welded in jambs. All masonry or concrete walls will be supplied with plaster guards.  
All frames will be punched for three rubber silencers per strike jamb for single openings and two per head for double openings.  
Due to shipping limitations all frames exceeding 10'-0" in height or length will be spliced and shipped in sections for field assembly by general contractor \*Fully\*  
Frame profiles shall be press brake formed and sharp with heads and jambs accurately mitered, welded and ground smooth.  
Frames receiving glass shall be provided with screw-on counter sunk stops (3/4" x 5/8") of same material and finish as frames.  
Inner structure of doors shall be rigidly reinforced with 20 gauge continuous vertical "Z" stiffeners or polystyrene at the option of manufacture.  
Doors to be manufactured with "seamless edge" type construction. \*See Next Page\*  
Tops and bottoms are reinforced by channels the full width of the doors. The tops of all exterior doors shall be closed flush by an inverted channel.  
All window kits and metal louvers are manufactured by Quality Engineered Products. Louvers shall be "Z" type with 50% free air. Fire-rated louvers are fusible link design.  
Hinge reinforcements for doors and frames will be seven (7) gauge. All other reinforcements shall be as specified.  
Hardware locations to be manufactured standard, unless otherwise specified.  
Fabrication of required material for this project will proceed only after receipt of signed approval by the Architect. Also, a signed, approved copy of the finished hardware schedule and all necessary hardware templates will be required.  
No alterations or field work shall be performed without prior written approval from Quality.  
Doors and frames shall be reinforced, drilled and tapped for morticed hardware in accordance with the finish hardware schedule. Function holes shall be provided at the factory for locksets and exit devices. Trim mounting holes for hardware are to be drilled and tapped in the field by others.  
All fire rated assemblies must be self-latching and self-closing. Any assembly which does not meet this criteria by the approved hardware schedule will be manufactured as label construction and will not bear the fire label.  
Quality Engineered Products is not responsible for any errors resulting from use of these drawings by other trades.  
Tenative date for first shipment of door frames is 10 to 15 working days after receipt of approved shop drawings, approved hardware schedule and hardware templates.  
All doors and frames shall be reinforced for surface mounted hardware in accordance with the finish hardware schedule. Drilling and tapping for attaching of surface mounted hardware shall be done in the field by others.  
Hollow metal should be painted with a flat or semi-gloss paint. Under no circumstances should steel stiffened hollow metal doors be painted with a high gloss enamel. We will not be responsible for any weld marks that are "Telegraphed" as a result of a high gloss enamel.

QUALITY ENGINEERED PRODUCTS COMPANY, INC.  
JOB: Tom, Bilbo & Associates  
LOCATION: Blair, FL  
CUSTOMER: Florida LeMark  
SHEET 2 OF 8  
DATE: 9/8/20



\* GC Architect. Verify "All" Jamb Widths, Anchor Types, Fire Ratings

QUALITY ENGINEERED PRODUCTS COMPANY, INC. CUSTOMER: [Blank] LOCATION: [Blank] JOB: [Blank]

SHEET 1 OF 8 DATE: 9/18/20

Table with columns: FROM, TO, ARCH. OPENING NUMBER, FRAME DATA (QUANTITY, SERIES & GAUGE, HAND, OPENING SIZE, JAMB WIDTH, ANCHOR, ELEV., PROFILE, LABEL), DOOR DATA (QUANTITY, SERIES & GAUGE, TYPE, DOOR THK., WINDOW OR LOUVER SIZE), REMARKS, HDW. SET.

REMARKS: \* Max. D. Per Zone 5e-HI 5-F-84

Main data table rows with handwritten entries for door specifications and remarks.



FROM	TO	ARCH. OPENING NUMBER	FRAME DATA						DOOR DATA					REMARKS	HDM SET				
			QUANTITY	SERIES	GUAGE	HAND	OPENING SIZE	JAMB WIDTH	ANCHOR	ELEV.	PROFILE	LABEL	QUANTITY			SERIES	GUAGE	TYPE	DOOR THK.
Exterior	Mult. Purp. 2108	2108S	1	16	RHC	30x70	6"	2	E1	A							MA# 19-05123 Comp. # 11/2024	#16	
Mult. Purp. 2108	Closet	2108A	1	16	RHC	10x70	6"	2	E1	A									#16
Corridor 2100	F. Locker 2109	2109.1	1	16	RHC	30x70	5 7/8	3	E1	A									#16
	Art	2110.1	1	16	RHC		5 7/8	3	E1	A									#16
	Art	2110.2	1	16	RHC		5 7/8	3	E1	A									#16
Ext/Art/PAID	Art	2110.3	1	16	RHC		6"	2	E1	A	45								#16
Art 2110	Art Storage 210A	210A	1	16	RHC		5 7/8	3	E1	A									#16
Art 2110	Art KTLR 210S	210S	1	16	RHC		5 7/8	3	E1	A									#16
Corridor 2100	Dir. Car 2110	2110C	1	16	RHC	20x70	5 7/8	3	E1	A									#16
Corridor 2100	M. Locker 2111	2111.1	1	16	RHC	30x70	5 7/8	3	E1	A									#16
Exterior	M. Locker 2111	2111.2	1	16	RHC	40x70	6"	2	E1	A									#16
M. Locker 2111	PLANNING 2111A	2111A	1	16	RHC	30x70	5 7/8	3	E1	A									#16
M. Locker 2111	Storage 2111C	2111C	1	16	RHC	30x70	5 7/8	3	E1	A									#16
		2111C2	1	16	RHC	6' x 7'	Over Head b/Others		E1	A	X								#16
Corridor 2100	Elect 2112	2112	1	16	RHC	30x70	5 7/8	3	E1	A	45								#16
Corridor 2100	T-F Room 2113	2113	1	16	RHC	30x70	5 7/8	3	E1	A									#16
Ext/Chiller Yrd	Pump Room 213A	213A	1	16	RHC	60x70	6"	2	E1	A									#16
Ext/Corridor 2100	Kitchen/Ent. 214	214.1	1	16	RHC	40x70	6"	2	E1	A									#16
Kitchen/Ent. 214	Vestibule 215	214.2	1	16	RHC	30x70	5 7/8	3	E1	A									#16
		214.3	1	16	RHC		5 7/8	3	E1	A									#16
		214.4	1	16	RHC		5 7/8	3	E1	A									#16
		214.5	1	16	RHC		5 7/8	3	E1	A									#16
		214.6	1	16	RHC		6 1/4	3	E1	A									#16
Vestibule 214A	Vestibule 214A	214A	1	16	RHC		6 1/4	3	E1	A									#16
Vestibule 214A	M. F. R. 214B	214B	1	16	RHC		6 1/4	3	E1	A									#16
Ext/Annex 2116	Vestibule 215	215.1	1	16	RHC	60x70	6"	2	E1	A									#16
Ext/Annex 2116	Vestibule 215	215.2	1	16	RHC	60x70	6"	2	E1	A									#16
Ext/Annex 2116	Vestibule 215	215.3	1	16	RHC	40x70	6"	2	E1	A									#16
Exterior	F. Locker 2109	2109.2	1	16	RHC	30x70	5 7/8	3	E1	A									#16
F. Locker 2109	T. Plan 2109A	2109A	1	16	RHC	30x70	5 7/8	3	E1	A									#16
F. Locker 2109	Storage 2109C	2109C	1	16	RHC	30x70	5 7/8	3	E1	A									#16

QUALITY ENGINEERED PRODUCTS COMPANY, INC.

JOB: Dr. Lou B. B...  
 LOCATION: ...  
 CUSTOMER: Florida ...  
 SHEET 5 OF 8  
 DATE: 9/8/20



FROM	TO	ARCH. OPENING NUMBER	FRAME DATA						DOOR DATA					REMARKS	HDM. SET	
			QUANTITY	SERIES & GAUGE	HAND	OPENING SIZE	JAMB WIDTH	ANCHOR	ELEV.	PROFILE	LABEL	QUANTITY	SERIES & GAUGE			TYPE
STAIR-7 2200A	Corridor 2200	2200A1	1	16	RHC	3'x7'	6"	3	E	A	45	1	16	NL	1 3/4"	#13
STAIR-7 2200A	Corridor 2200	2200A2	1		LHC		6"	3	E	A	45	1		NL		#13
STAIR-2 2200B	Corridor 2200	2200B1	1		LHC		5 7/8"	3	E	A	45	1		NL		#13
Corridor 2200	STAIR-2 2200	2200	1		LHC		5 7/8"	3	E	A	45	1		F	1" NL	#13
	CAST. 2204	2204	1		RHC	V	5 7/8"	3	E	A	45	1		F		#13
	Mech. Room 2205	2205	1		RHC	6'x7'	6"	3	E	A	45	1		F	180°	#13
	Flex. Mark. Rm 2206	2206	1		LHC	3'x7'	5 7/8"	3	E	A	45	1		F	180°	#13
	Classroom 2207	2207	1		LHC		5 7/8"	3	E	A	45	1		F	Door View	#13
V	ESE Classroom 2208	2208	1		RHC		5 7/8"	3	E	A	45	1		F	Door View	#13
ESE Classroom 2208	STAIR 2208A	2208A	1		LHC		5 7/8"	3	E	A	45	1		F	1" NL	#13
Corridor 2200	Classroom 2209	2209	1		LHC		5 7/8"	3	E	A	45	1		F	Door View	#13
	Classroom 2210	2210	1		LHC		5 7/8"	3	E	A	45	1		F		#13
	Classroom 2211	2211	1		LHC		5 7/8"	3	E	A	45	1		F		#13
	Classroom 2212	2212	1		RHC		5 7/8"	3	E	A	45	1		F		#13
	Classroom 2213	2213	1		RHC		5 7/8"	3	E	A	45	1		F		#13
	Classroom 2214	2214	1		LHC		5 7/8"	3	E	A	45	1		F		#13
	Classroom 2215	2215	1		RHC		5 7/8"	3	E	A	45	1		F		#13
	Classroom 2216	2216	1		LHC		5 7/8"	3	E	A	45	1		F		#13
	Elect 2217	2217	1		RHC		5 7/8"	3	E	A	45	1		F	180°	#13
	SUPP 2218	2218	1		RHC		5 7/8"	3	E	A	45	1		F	Door View	#13
V	IT Room 2219	2219	1		LHC		5 7/8"	3	E	A	45	1		F		#13
STAIR 7 2300A	Corridor 2300	2300A1	1		RHC		6"	3	E	A	45	1		NL		#13
STAIR 7 2300A	Corridor 2300	2300A2	1		LHC		6"	3	E	A	45	1		NL		#13
STAIR 2 2300B	Corridor 2300	2300B1	1		LHC		6"	3	E	A	45	1		NL		#13
Corridor 2300	STAIR-2 2301	2301	1		LHC		5 7/8"	3	E	A	45	1		F	1" NL	#13
	CAST. 2304	2304	1		RHC		5 7/8"	3	E	A	45	1		F	Door View	#13
	Collaborative 2305	2305.1	1		RHC		5 7/8"	3	E	A	45	1		F	Door View	#13
	Collaborative 2305	2305.2	1		LHC		5 7/8"	3	E	A	45	1		F	Door View	#13
V	Classroom 2306	2306	1		LHC	V	5 7/8"	3	E	A	45	1		F	Door View	#13

QUALITY ENGINEERED PRODUCTS COMPANY, INC.

JOB: *Don. Silva Rep. Making*  
 LOCATION: *Don. Silva*  
 CUSTOMER: *Florida Lemark*

SHEET OF 8  
 DATE: 9/8/20

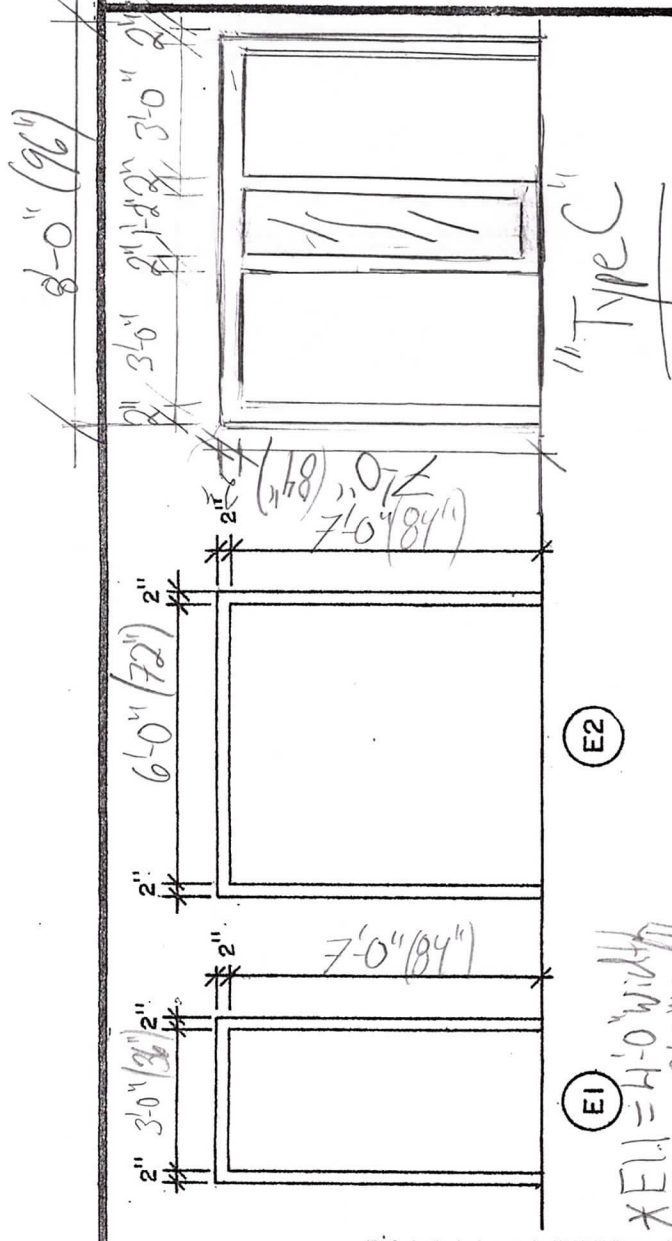


JOB: D. Tom B. Baco Rep. Academy  
 LOCATION: Bldg. #17  
 CUSTOMER: Florida Be Mark

SHEET 7 OF 8  
 DATE: 7/18/20

FROM	TO	ARCH. OPENING NUMBER	FRAME DATA						LABEL	DOOR DATA					REMARKS	HDM. SET	
			QUANTITY	SERIES & GAUGE	HAND	OPENING SIZE	JAMB WIDTH	ANCHOR		ELEV.	PROFILE	QUANTITY	SERIES & GAUGE	TYPE			DOOR THK.
Corridor 2300	Classroom 2307	2307	1	16	RHC	3'0" x 7'0"	5 7/8"	3	E	A		1	16	F	1 3/4"	Door View	#13
Classroom 2307	Staircase 2310	2307A	1		RHC		5 7/8"	3	E	A		1		H	24" x 36"		#14
Corridor 2300	Classroom 2308	2308	1		RHC		5 7/8"	3	E	A		1		F	Door View		#15
	Classroom 2309	2309	1		LHC		5 7/8"	3	E	A		1		F	Door View		#16
	Staircase 2310	2310	1		LHC		5 7/8"	3	E	A		1		N	6" x 20" 180°		#17
	Bank 2311	2311	1		RHC		9"	3	E	A		1		F	Door View		#18
V	Bank 2311	2311	1		LHC		9"	3	E	A		1		F	Door View		#19
	Bank 2311	2311A	1		RHC		9"	3	E	A		1		F	Door View		#20
Bank 2311	Test Stage 2311A	2311A	1		RHC		9"	3	E	A		1		F	Door View		#21
Bank 2311	Test Stage 2311A	2311B	1		LHC		9"	3	E	A		1		F	Door View		#22
Corridor 2300	LAB 2312	2312	1		LHC		5 7/8"	3	E	A		1		F	24" x 36"		#23
LAB 2312	Staircase 2310	2312A	1		RHC		5 7/8"	3	E	A		1		H	24" x 36"		#24
Corridor 2300	Classroom 2312	2313	1		RHC		5 7/8"	3	E	A		1		F	Door View		#25
	Elect. 2314	2314	1		RHC		5 7/8"	3	E	A		1		F	Door View		#26
	Book Storage 2315	2315	1		RHC		5 7/8"	3	E	A		1		F	Door View		#27
V	IT Room 2316	2316	1		V LHC		5 7/8"	3	E	A		1		F	Door View		#28





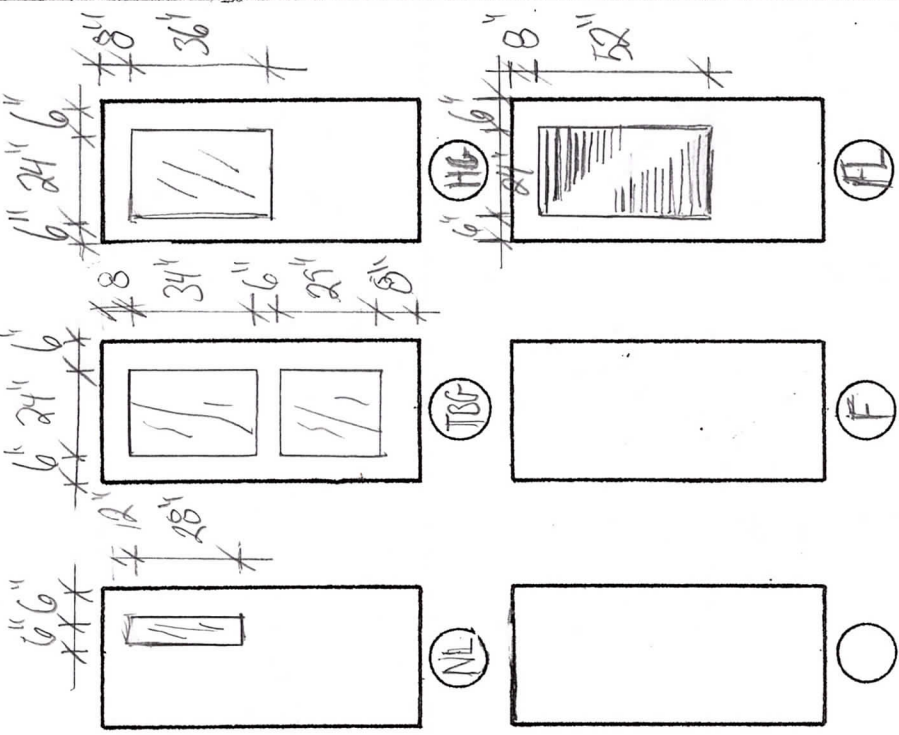
FRAME ELEVATIONS

(E2)

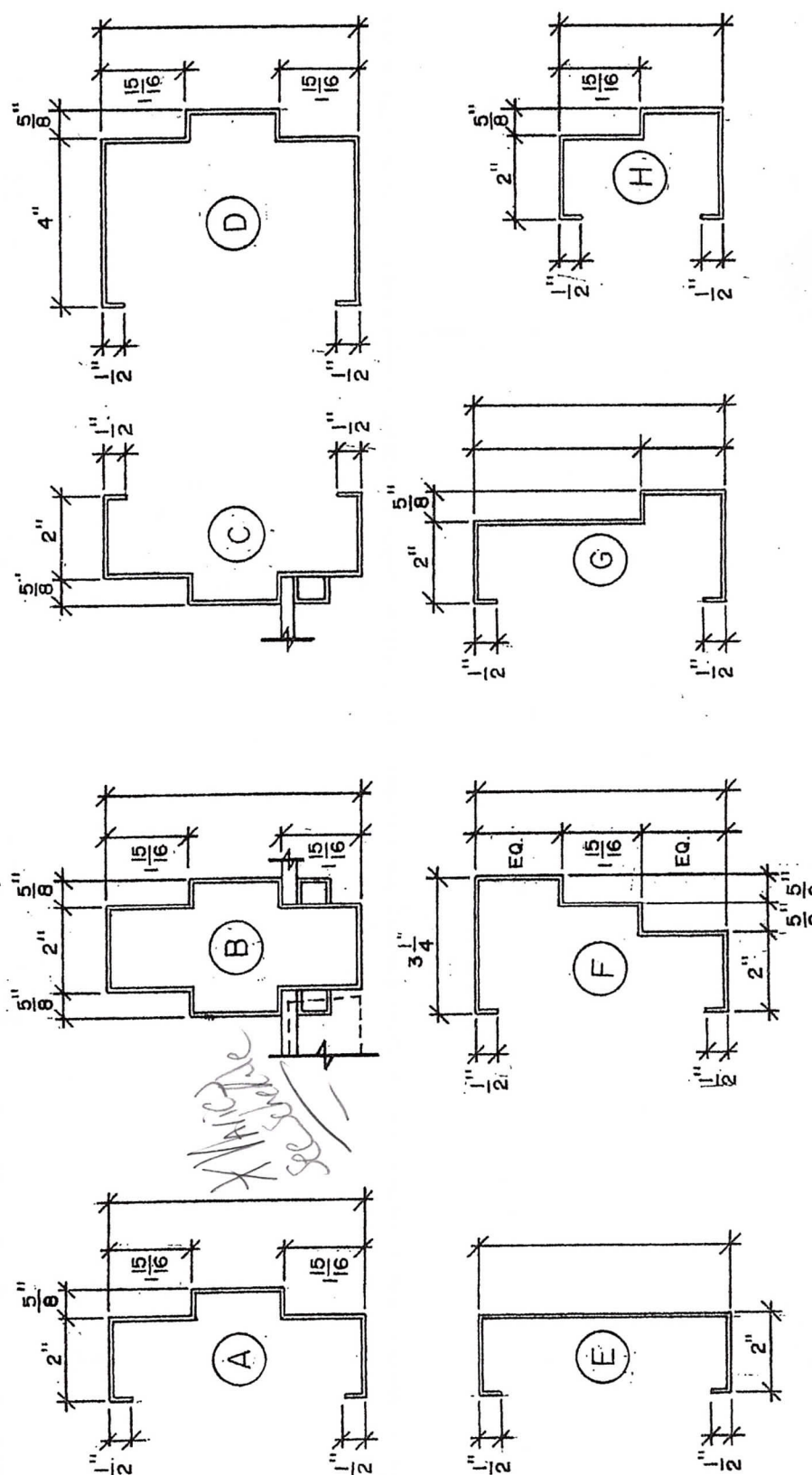
(E1)

\*E1.1 = 4'-0" width  
\*E1.2 = 2'-0" width  
\*E1.3 = 1'-0" width

GENERAL NOTE: QUALITY RESERVES THE RIGHT AT OUR DISCRETION TO ADJUST VISION LIGHT AND LOUVER DIMENSIONS AS REQUIRED TO MEET FIRE LABEL AND PRODUCT APPROVAL REQUIREMENTS, AND TO AVOID INTERFERING WITH INSTALLATION AND FUNCTION OF EXIT DEVICES, CLOSERS AND LOCKSETS.

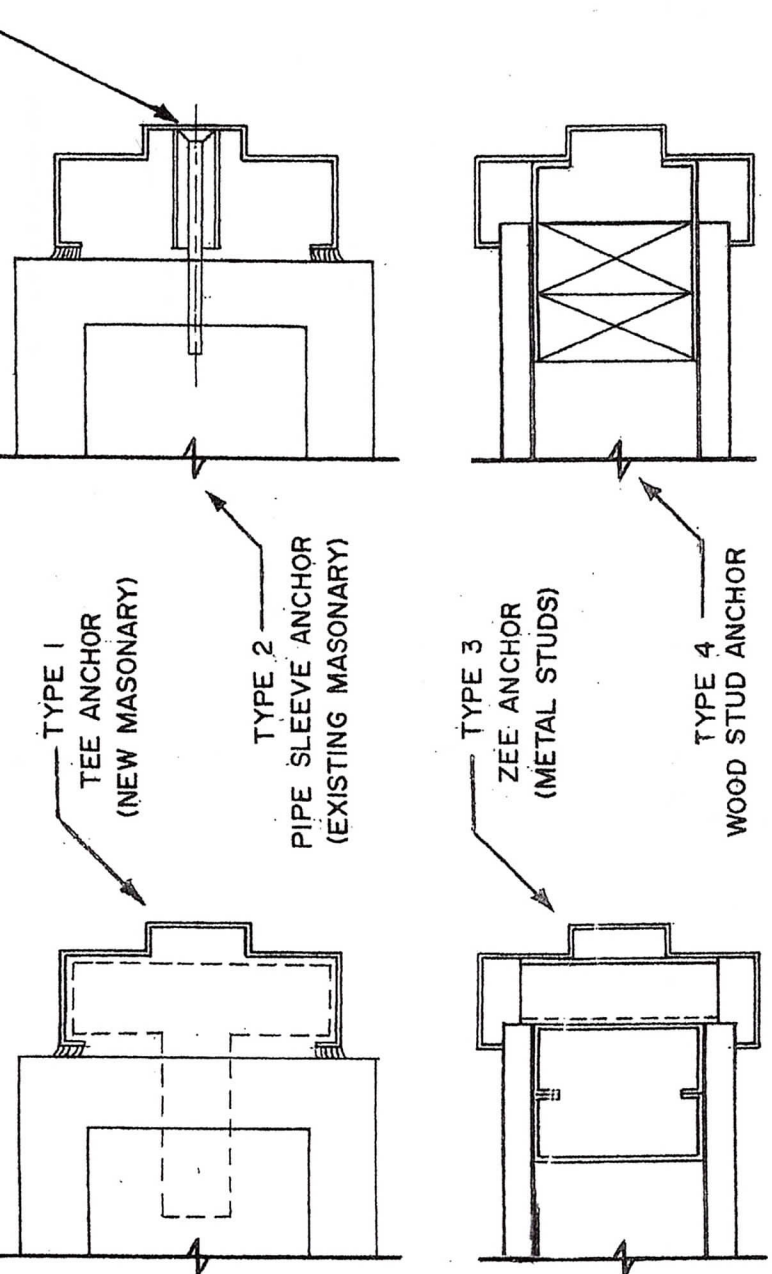


DOOR ELEVATIONS



FRAME PROFILES

BOLTS AND SHIELDS BY OTHERS



TYPE 1  
TEE ANCHOR  
(NEW MASONRY)

TYPE 2  
PIPE SLEEVE ANCHOR  
(EXISTING MASONRY)

TYPE 3  
ZEE ANCHOR  
(METAL STUDS)

TYPE 4  
WOOD STUD ANCHOR

FRAME ANCHORS