



DEPARTMENT OF REGULATORY AND ECONOMIC RESOURCES (RER)
BOARD AND CODE ADMINISTRATION DIVISION

NOTICE OF ACCEPTANCE (NOA)

MIAMI-DADE COUNTY
PRODUCT CONTROL SECTION
11805 SW 26 Street, Room 208
Miami, Florida 33175-2474
T (786) 315-2590 F (786) 315-2599
www.miamidade.gov/economy

Quality Engineered Products Co., Inc.
4506 Quality Lane
Tampa, FL 33634

SCOPE:

This NOA is being issued under the applicable rules and regulations governing the use of construction materials. The documentation submitted has been reviewed and accepted by Miami-Dade County RER -Product Control Section to be used in Miami Dade County and other areas where allowed by the Authority Having Jurisdiction (AHJ).

This NOA shall not be valid after the expiration date stated below. The Miami-Dade County Product Control Section (In Miami Dade County) and/or the AHJ (in areas other than Miami Dade County) reserve the right to have this product or material tested for quality assurance purposes. If this product or material fails to perform in the accepted manner, the manufacturer will incur the expense of such testing and the AHJ may immediately revoke, modify, or suspend the use of such product or material within their jurisdiction. RER reserves the right to revoke this acceptance, if it is determined by Miami-Dade County Product Control Section that this product or material fails to meet the requirements of the applicable building code.

This product is approved as described herein and has been designed to comply with the Florida Building Code, including the High Velocity Hurricane Zone.

DESCRIPTION: Series 16 ga Inswing Single Glazed Commercial Steel Door-Impact

APPROVAL DOCUMENT: Drawing No. QEP005 Rev #1, titled "Single Glazed Door (Inswing)", sheets 1 through 6 of 6, prepared by manufacturer, dated 02-26-16 and last revised on 03/03/21, signed and sealed by Cody Davis, P. E., bearing the Miami-Dade County Product Control Revision stamp with the Notice of Acceptance number and expiration date by the Miami-Dade County Product Control Section.

MISSILE IMPACT RATING: Large and Small Missile Impact Resistant

Limitations:

1. Not approved, where water infiltration requirement is needed.
2. Doors are 16 ga (min .063" thk) with min CS Tensile yield strength $F_y=46.3$ ksi and Tensile ultimate strength $F_u=52.1$ Ksi and SS Tensile yield strength $F_y=50.5$ ksi and Tensile ultimate strength $F_u=98.5$ Ksi.
3. Approved EPS core by Dynaplast (Former Apache), having current NOA

LABELING: Each unit shall bear a permanent label with the manufacturer's name or logo, city, state and series and following statement: "Miami-Dade County Product Control Approved", noted herein.

RENEWAL of this NOA shall be considered after a renewal application has been filed and there has been no change in the applicable building code negatively affecting the performance of this product.

TERMINATION of this NOA will occur after the expiration date or if there has been a revision or change in the materials, use, and/or manufacture of the product or process. Misuse of this NOA as an endorsement of any product, for sales, advertising or any other purposes shall automatically terminate this NOA. Failure to comply with any section of this NOA shall be cause for termination and removal of NOA.

ADVERTISEMENT: The NOA number preceded by the words Miami-Dade County, Florida, and followed by the expiration date may be displayed in advertising literature. If any portion of the NOA is displayed, then it shall be done in its entirety.

INSPECTION: A copy of this entire NOA shall be provided to the user by the manufacturer or its distributors and shall be available for inspection at the job site at the request of the Building Official.

This NOA revises NOA #19-1001.11 and consists of this page 1 and evidence pages E-1, E-2 and E-3, as well as approval document mentioned above.

The submitted documentation was reviewed by **Ishaq I. Chanda, P.E.**



Ishaq I. Chanda

NOA No. 20-1123.22
Expiration Date: December 30, 2024
Approval Date: April 08, 2021
Page 1

NOTICE OF ACCEPTANCE: EVIDENCE SUBMITTED

1. Evidence submitted under previous submittal

A. DRAWINGS

1. Manufacturer's die drawings and sections (Submitted under files referenced below)
2. Drawing No. **QEP005**, titled "Single Glazed Door (Inswing)", sheets 1 through 6 of 6, prepared by manufacturer, dated 02/26/16, signed and sealed by Cody Davis, P. E.

B. TESTS (Submitted under file #12-1115.08/# 09-0604.08)

1. Test reports on 1) Air Infiltration Test, per FBC TAS 202-94
 - 2) Uniform Static Air Pressure Test, Loading per FBC, TAS 202.
 - 3) Water Resistance Test per FBC, TAS 202-94 (Not Performed).
 - 4) Large Missile Impact Test per FBC, TAS 201-94
 - 5) Cyclic Wind Pressure Loading per FBC, TAS 203-94
 - 6) Forced Entry Test, per FBC and TAS 202-94

Along with marked-up drawings and installation diagram of Single Inswing /Outswing Flush and Glazed Commercial Steel Doors, prepared by Architect Testing Lab Inc., Test Report No. **84528.01-401-18**, dated May 19, 2009 (This test report was last revised on 11/06/09), signed and sealed by Joseph A. Reed.

C. CALCULATIONS

1. Anchor verification calculations, complying with **FBC-2014**, prepared, signed, sealed and dated 05/17/16, by Cody Davis, P.E.
2. Glazing complies w/ ASTM E-1300-02 & 04.

D. QUALITY ASSURANCE

- 1 Miami Dade Department of Regulatory and Economic Resources (RER)

E. MATERIAL CERTIFICATIONS

1. Tensile test report prepared by prepared by Architect Testing, Test Report No. **84528.01-401-18**, tested per ASTM E8-03, dated 11/09/09 signed and sealed by Joseph A. Reed, P. E. (Submitted under file #12-1115.08/# 09-0604.08)
2. Notice of Acceptance No. **11-0926.07** issued to Dyplastic Products, LLC (former Apache Products Co) for "EPS-Expanded Polystyrene Insulation", expiring on 01/11/2017.
3. Notice of Acceptance No. **14-0423.15** issued to Eastman chemical Company (Former Solutia, Inc.) for "Saflex CP, Saflex and HP Composite Glass interlayer w/ PET core", expiring on 12/11/2018.

F. STATEMENTS

1. Statement letter of conformance, complying with **FBC-2014, 5th edition**, and "no financial interest" issued, prepared, signed, sealed and dated 05/17/16 by Cody Davis, P. E.
2. Statement letter dated 05/17/16 of successor engineer adopting as his own, another engineer's work per FAC, Rule Chapter 61G15-27, issued by Master Consulting Engineers, Inc., both signed and sealed by Cody Davis, P. E.
3. Statement letter of compliance, as a part of the above referenced test reports.

G. OTHER

1. This revises NOA #14-0910.03, expiring December 30, 2019. *Ishaq I. Chanda*

Ishaq I. Chanda, P.E.
Product Control Unit Supervisor
NOA No. 20-1123.22
Expiration Date: December 30, 2024
Approval Date: April 08, 2021

NOTICE OF ACCEPTANCE: EVIDENCE SUBMITTED

2. Evidence submitted under file #17-1102.06

A. DRAWINGS

1. Drawing No. QEP005, titled "Single Glazed Door (Inswing)", sheets 1 through 6 of 6, prepared by manufacturer, dated 02-26-16 and last revised on 01/31/18, signed and sealed by Cody Davis, P. E. (Note: This revision is consisting of editorial DWG changes only).

B. Test

1. None.

C. CALCULATIONS

1. None.

D. QUALITY ASSURANCE

1. Miami Dade Department of Regulatory and Economic Resources (RER).

E. MATERIAL CERTIFICATIONS

1. Notice of Acceptance No. 17-1207.05 issued to Dyplastic Products, LLC (former Apache Products Co) for "E& R-Board Expanded Polystyrene Rigid Foam Insulation", expiring on 01/11/2022.

F. STATEMENTS

1. Statement letter of conformance to FBC 2017 (6th Edition), dated 12/01/17, prepared by Master Consulting Engineer Inc., signed and sealed by Cody Davis, P. E.

G. OTHER

1. This NOA revises # 15-0422.08, expiring 12/30/19

3. Evidence submitted under previous approval

A. DRAWINGS

1. Drawing No. QEP005, titled "Single Glazed Door (Inswing)", sheets 1 through 6 of 6, prepared by manufacturer, dated 02-26-16 and last revised on 01/31/18, signed and sealed by Cody Davis, P. E.

B. Test

1. None.

C. CALCULATIONS

1. None.

D. QUALITY ASSURANCE

1. Miami Dade Department of Regulatory and Economic Resources (RER).

E. MATERIAL CERTIFICATIONS

1. Notice of Acceptance No. 17-1207.05 issued to Dyplastic Products, LLC (former Apache Products Co) for "E& R-Board Expanded Polystyrene Rigid Foam Insulation", expiring on 01/11/2022.

F. STATEMENTS (submitted under file #17-1102.06)

1. Statement letter of conformance to FBC 2017 (6th Edition), dated 12/01/17, prepared by Master Consulting Engineer Inc., signed and sealed by Cody Davis, P. E.

G. OTHER

1. This NOA renews # 17-1102.06, expiring 12/30/24.

Ishaq I. Chanda

Ishaq I. Chanda, P.E.
Product Control Unit Supervisor
NOA No. 20-1123.22
Expiration Date: December 30, 2024
Approval Date: April 08, 2021

NOTICE OF ACCEPTANCE: EVIDENCE SUBMITTED

4. New Evidence submitted

A. DRAWINGS

1. Drawing No. QEP005 Rev #1, titled "Single Glazed Door (Inswing)", sheets 1 through 6 of 6, prepared by manufacturer, dated 02-26-16 and last revised on 03/03/21, signed and sealed by Cody Davis, P. E.

B. Test

1. None.

C. CALCULATIONS

1. None.

D. QUALITY ASSURANCE

1. Miami Dade Department of Regulatory and Economic Resources (RER).

E. MATERIAL CERTIFICATIONS

1. Notice of Acceptance No. **17-1207.05** issued to Dyplastic Products, LLC (former Apache Products Co) for "E& R-Board Expanded Polystyrene Rigid Foam Insulation", expiring on 01/11/2022.

F. STATEMENTS

1. Statement letter of conformance to FBC 2020 (7th Edition), dated March 03, 21, prepared by Master Consulting Engineer Inc., signed and sealed by Cody Davis, P. E.

G. OTHER

1. This NOA revises # 19-1001.11, expiring 12/30/24.

Ishaq I. Chanda

Ishaq I. Chanda, P.E.
Product Control Unit Supervisor
NOA No. 20-1123.22
Expiration Date: December 30, 2024
Approval Date: April 08, 2021

QUALITY ENGINEERED PRODUCTS

SINGLE GLAZED DOOR (INSWING)

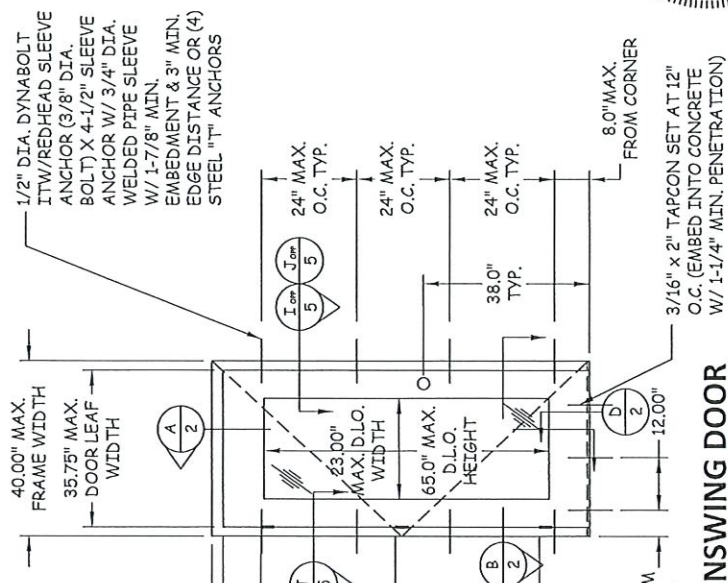
INSTALLATION NOTES:

- ONE (1) INSTALLATION ANCHOR IS REQUIRED AT EACH ANCHOR LOCATION SHOWN.
- THE NUMBER OF INSTALLATION ANCHORS DEPICTED IS THE MINIMUM NUMBER OF ANCHORS TO BE USED FOR PRODUCT INSTALLATION.
- SHIM AS REQUIRED AT EACH INSTALLATION ANCHOR WITH LOAD BEARING SHIMS). MAXIMUM ALLOWABLE SHIM STACK TO BE 1/4" INCH. SHIM WHERE SPACE OF 1/16" INCH OR GREATER OCCURS. SHIM(S) SHALL BE CONSTRUCTED OF HIGH DENSITY PLASTIC OR BETTER.
- MINIMUM EMBEDMENT AND EDGE DISTANCE EXCLUDE WALL FINISHES, INCLUDING BUT NOT LIMITED TO STUCCO, FOAM, BRICK VENEER, AND SIDING.
- INSTALLATION ANCHORS AND ASSOCIATED HARDWARE MUST BE MADE OF CORROSION RESISTANT MATERIAL OR HAVE A CORROSION RESISTANT COATING.
- FOR GROUT FILLED BLOCK DO NOT INSTALL INSTALLATION ANCHORS INTO MORTAR JOINTS. EDGE DISTANCE IS MEASURED FROM FREE EDGE OF BLOCK OR EDGE OF MORTAR JOINT INTO FACE SHELL OF BLOCK.
- INSTALLATION ANCHORS SHALL BE INSTALLED IN ACCORDANCE WITH ANCHOR MANUFACTURER'S INSTALLATION INSTRUCTIONS AND ANCHORS SHALL NOT BE USED IN SUBSTRATES WITH STRENGTHS LESS THAN THE MINIMUM STRENGTH SPECIFIED BY THE ANCHOR MANUFACTURER.
- INSTALLATION ANCHOR CAPACITIES FOR PRODUCTS HEREIN ARE BASED ON SUBSTRATE MATERIALS WITH THE FOLLOWING PROPERTIES:
 - WOOD - MINIMUM SPECIFIC GRAVITY OF 0.55 (FOR SILL INSTALLATION ONLY).
 - CONCRETE - MINIMUM COMPRESSIVE STRENGTH OF 3000 PSI.
 - CONFORMANCE TO ASTM C-90, GRADE N, TYPE 1 (OR GREATER) W/ MIN. 3000 PSI GROUT.

GENERAL NOTES:

- THE PRODUCT SHOWN HEREIN IS DESIGNED AND MANUFACTURED TO COMPLY WITH THE 2020 FLORIDA BUILDING CODE (FBC 7th ED., INCLUDING HVHZ AND HAS BEEN EVALUATED ACCORDING TO THE FOLLOWING: TAS 201-94/TAS 202-94/TAS 203-94
- ADEQUACY OF THE EXISTING STRUCTURAL CONCRETE/MASONRY AS A MAIN WIND FORCE RESISTING SYSTEM, CAPABLE OF WITHSTANDING AND TRANSFERRING APPLIED PRODUCT LOADS TO THE FOUNDATION IS THE RESPONSIBILITY OF THE ENGINEER OR ARCHITECT OF RECORD FOR THE PROJECT OF INSTALLATION.
- THE INSTALLATION DETAILS DESCRIBED HEREIN ARE GENERIC AND MAY NOT REFLECT ACTUAL CONDITIONS FOR A SPECIFIC SITE. IF SITE CONDITIONS CAUSE INSTALLATION TO DEVIATE FROM THE REQUIREMENTS DETAILED HEREIN, A LICENSED ENGINEER OR ARCHITECT SHALL PREPARE SITE SPECIFIC DOCUMENTS FOR USE WITH THIS DOCUMENT FOR NON-HVHZ ONE TIME APPROVAL REQUIRES FOR HVHZ FROM MIAMI-DADE COUNTY.
- THIS PRODUCT IS LARGE AND SMALL MISSILE IMPACT RESISTANT APPROVED IMPACT PROTECTIVE SYSTEM IS NOT REQUIRED ON THIS PRODUCT IN AREAS REQUIRING IMPACT RESISTANCE.
- DOOR FRAME MATERIAL: STEEL.
- GLASS MEETS THE REQUIREMENTS OF ASTM E 1300 GLASS CHARTS. SEE SHEET 2 FOR GLAZING DETAIL.
- DESIGNATIONS "X" FOLLOWING:
X : OPERABLE PANEL

PRODUCT REVISED
as complying with the Florida Building Code
NOA-No. **20-1123-22**
Expiration Date **12/30/2024**
By *Ismael J. Lopez*
Miami-Dade Product Control



INSWING DOOR (EXTERIOR VIEW)

TABLE OF CONTENTS	
SHEET	REVISION
1	-
2	-
3	-
4	-
5	-
6	-

MIAMI DADE/FLORIDA BUILDING CODE DESIGN PRESSURES		
CYLINDRICAL LOCK REINFORCED	WHERE WATER PENETRATION REQUIREMENTS ARE NEEDED	WHERE WATER PENETRATION REQUIREMENTS ARE NOT NEEDED
POSITIVE	NOT APPROVED	+80 PSF*
NEGATIVE	NOT APPROVED	-80 PSF*

* UNIT SHALL BE INSTALLED AT LOCATION PROTECTED BY OVERHANG SUCH THAT OVERHANG RATIO (OH) = OH LENGTH/OH HEIGHT IS GREATER THAN 1

Quality Engineered Products Co., Inc.

4506 QUALITY LN.
TAMPA, FL 33634
PH: (813) 985-1693 FX: (813) 984-2673

TITLE: GLAZED DOOR INSTALLATION & GENERAL NOTES	PREPARED BY: QUALITY ENGINEERED PRODUCTS
DATE: 02.10.21	TA 02.10.21
DESCRIPTION: REVISIONS	FBC 2020

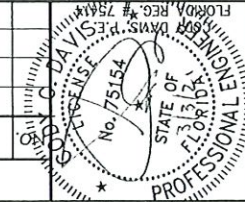
DATE: 02.26.16	DWN BY: KRM	CHK BY: DMS	SCALE: NTS
DWG #: QEP005	SHEET: 1 OF 6		



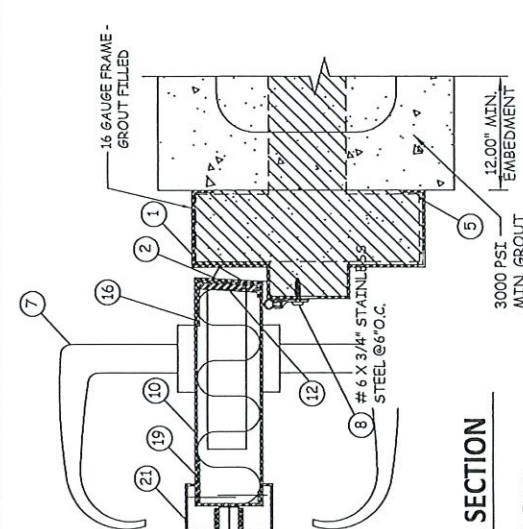
Quality Engineered Products Co., Inc.
 4506 QUALITY LN
 TAMPA, FL 33634
 PH: (813) 885-1693 FX: (813) 884-2673

TITLE: GLAZED DOOR
 MORITSE LOCK SECTION
 PREPARED BY: QUALITY ENGINEERED PRODUCTS
 4506 QUALITY LN
 TAMPA, FL 33634
 PH: 813.885.1693 FX: 813.884.2673

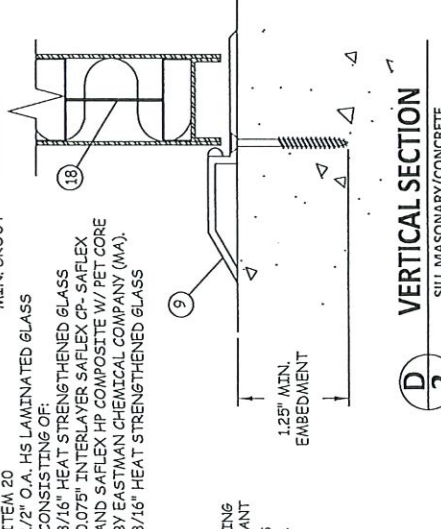
REVISIONS	DATE	BY	DESCRIPTION



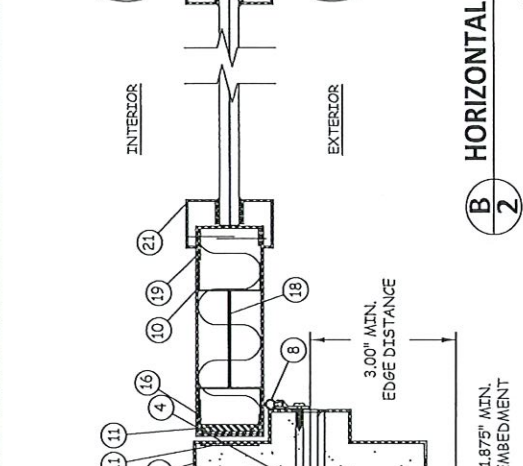
DATE: 02.26.16
 DWG #: QE005
 SHEET: 2 OF 6
 SCALE: NTS
 CHK BY: DMS
 KRM
 DWN BY: NTS



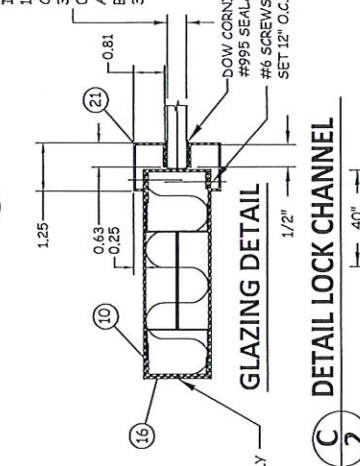
B HORIZONTAL SECTION
 2



D VERTICAL SECTION
 2
 SILL MASONRY/CONCRETE

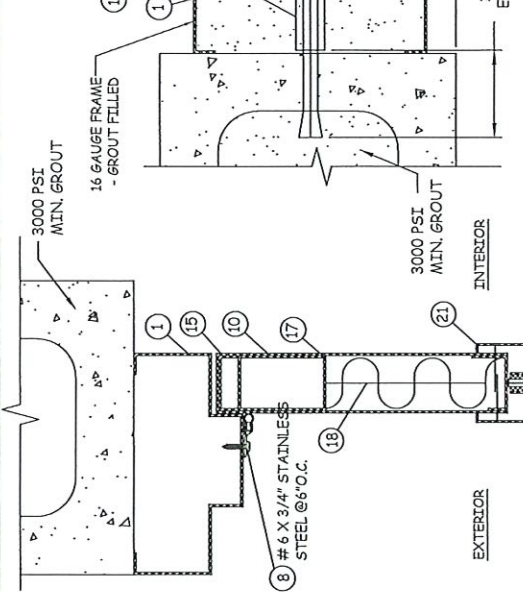


C HORIZONTAL SECTION
 2

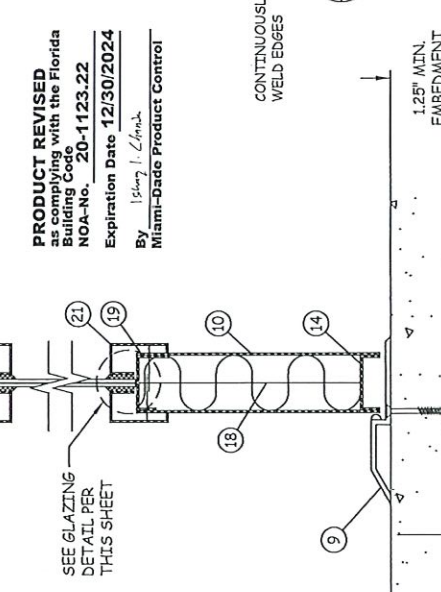


GLAZING DETAIL

C DETAIL LOCK CHANNEL
 2



A HORIZONTAL SECTION
 2



A VERTICAL SECTION
 2

PRODUCT REVISED
 as complying with the Florida
 Building Code
 NOA-No. 20-1123.22
 Expiration Date 12/30/2024
 BY: Istiny I. Linnik
 Miami-Dade Product Control

SEE GLAZING
 DETAIL PER
 THIS SHEET

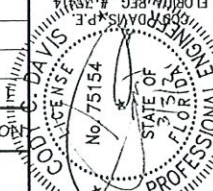
3/16" x 2" TAPCON SET AT 12" O.C. (EMBED INTO
 CONCRETE W/ 1-1/4" MIN. PENETRATION)

Quality
Engineered
Products Co., Inc.

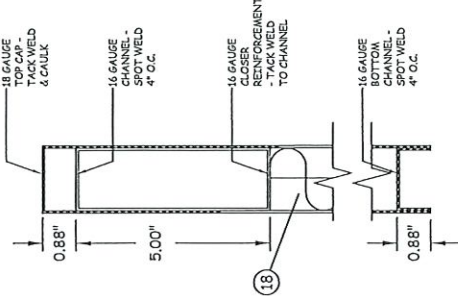
4506 QUALITY LN.
TAMPA, FL 33634
PH: (813) 895-1693 FX: (813) 894-2673

PREPARED BY: QUALITY ENGINEERED PRODUCTS
DOOR DETAILS
DATE: TA 2.10.21
DESCRIPTION: FBC 2020

NO.	DATE	DESCRIPTION
1	2.10.21	FBC 2020

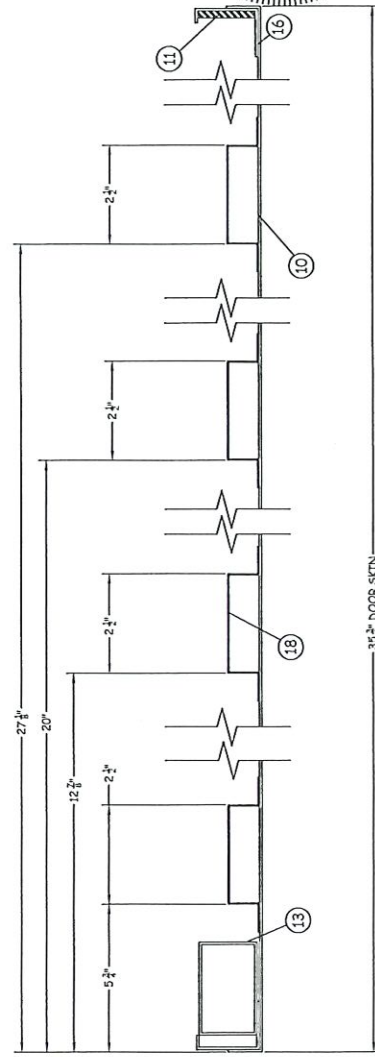


DATE: 02.26.16
DWN BY: KRM
CHK BY: DMS
SCALE: NTS
DWG #: QEP005
SHEET: 3 OF 6

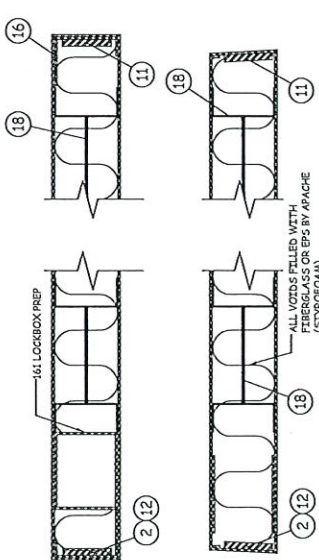


H VERTICAL DOOR SECTION
3

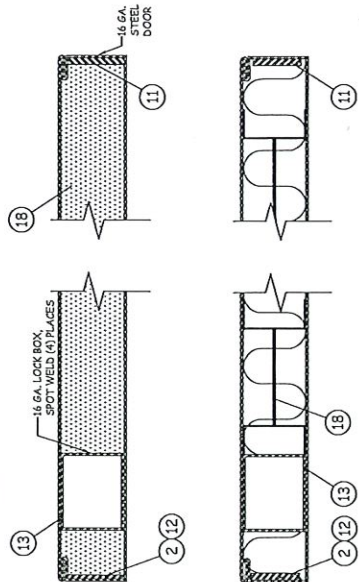
PRODUCT REVISED
as complying with the Florida
Building Code
NOA-No. 20-1123-22
Expiration Date 12/30/2024
By *Ismael L. Lopez*
Miami-Dade Product Control



G INTERNAL SECTION (PANEL ILLUSTRATION)
3
REINFORCEMENT SPACING



E SEAMLESS EDGE DOOR
3



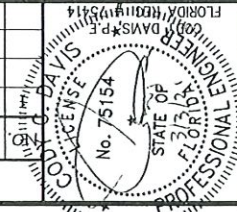
F EDGE SEAM DOOR
3

Quality Engineered Products Co., Inc.

4506 QUALITY LN
TAMPA, FL 33634
PH: (813) 885-1693 FX: (813) 884-5273

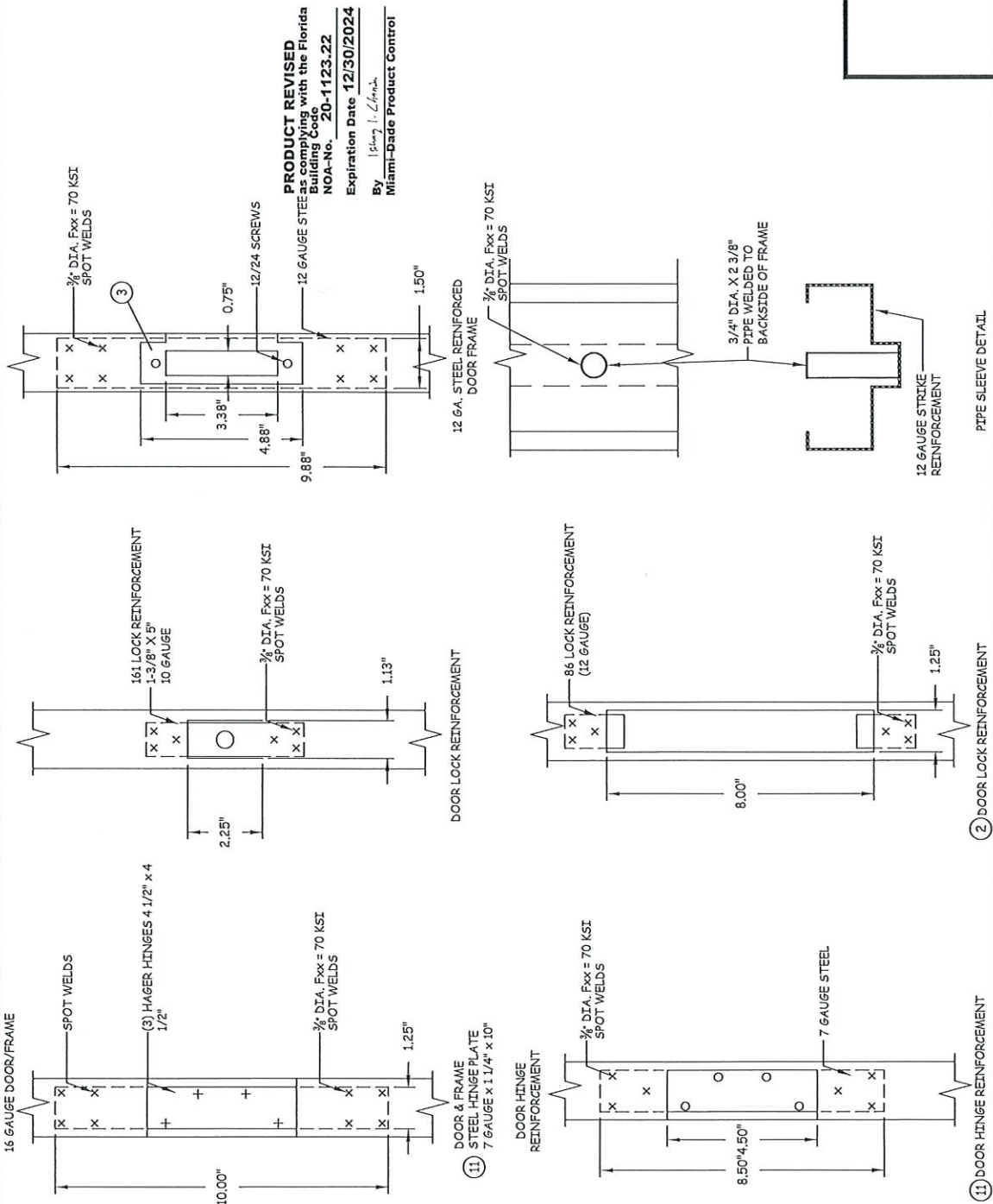
TITLE: GLAZED DOOR
STEEL REINFORCEMENTS
PREPARED BY: QUALITY ENGINEERED PRODUCTS
DATE: TA 02.10.21
DESCRIPTION: FBC 2020
BY DATE

REVISIONS



DATE:	02.26.16
DWG #:	QE005
SCALE:	NTS
CHK BY:	DMS
DWN BY:	KRM

SHEET: 4 OF 6



(1) DOOR HINGE REINFORCEMENT

(2) DOOR LOCK REINFORCEMENT

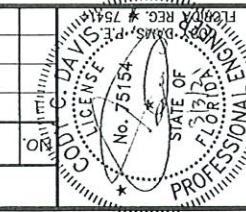
(3) DOOR FRAME REINFORCEMENT

Quality Engineered Products Co., Inc.

4506 QUALITY LN
TAMPA, FL 33634
PH: (813) 885-1693 FX: (813) 884-2673

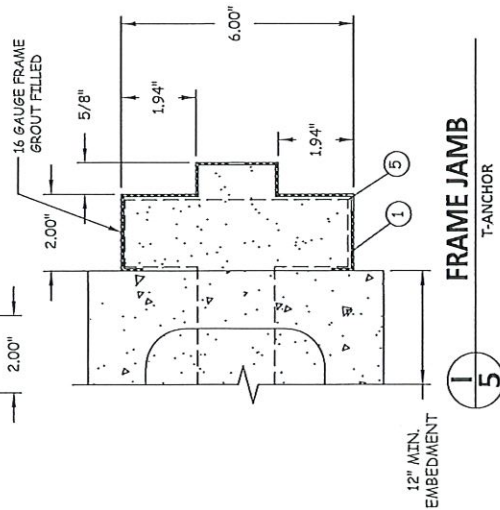
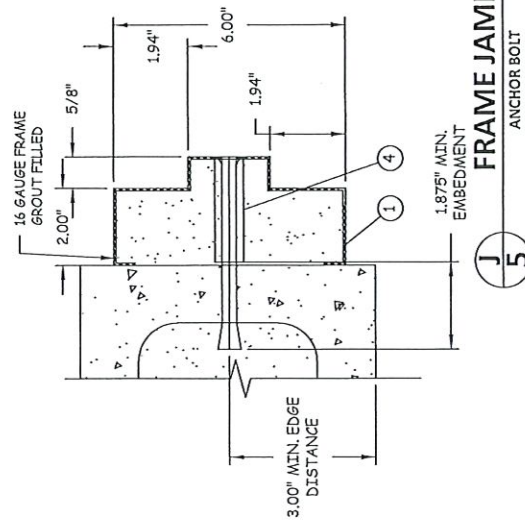
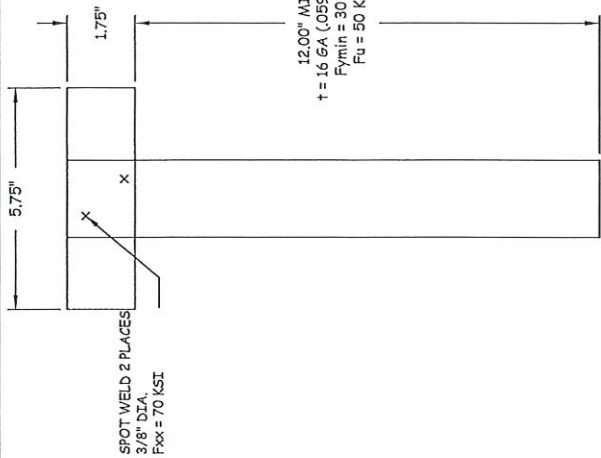
QUALITY ENGINEERED PRODUCTS
4506 QUALITY LN
TAMPA, FL 33634
PREPARED BY: ANCHOR DETAILS
DATE: 02.10.21

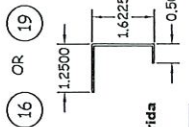
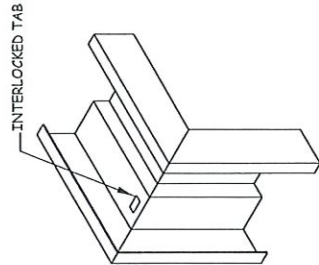
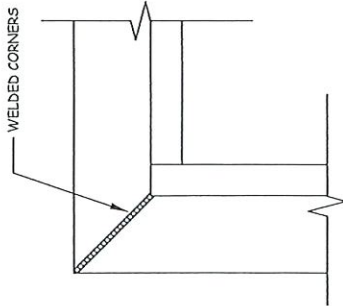
REVISIONS	DESCRIPTION	BY	DATE



DATE: 02.26.16
DWN BY: KRM
CHK BY: DMS
SCALE: NTS
DWG #: QEP005
SHEET: 5 OF 6

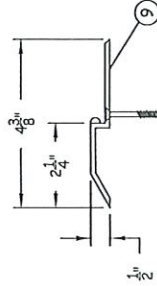
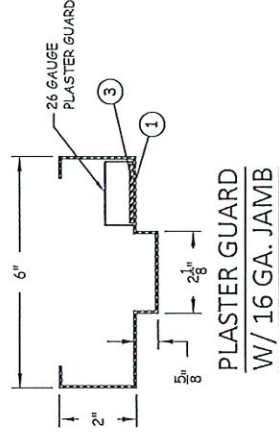
PRODUCT REVISED
as complying with the Florida
Building Code
NOA-No. 20-1123.22
Expiration Date 12/30/2024
By: Ismael L. Llanusa
Miami-Dade Product Control





PRODUCT REVISED
as complying with the Florida
Building Code
NOA-No. 20-1123-22
Expiration Date 12/30/2024
By 1sting I. L. L. Inc.
Miami-Dade Product Control

MARK	DESCRIPTION
1	16 GA. (.063") MIN. (14 GA. MAX.) STEEL HOLLOW METAL FRAME F.Y.M.I.N.F.= 46.3 KSI; F.U.M.I.N.F.= 52.1 KSI (OR S.S. MEETING F.Y.M.I.N.F.= 50.5 KSI; F.U.M.I.N.F.= 98.5 KSI) W/ GROUTED JAMBS
2	1 1/2" X 2 1/2" X 12 GA. STEEL LOCK OR STRIKE REINFORCEMENT (MORTISE)
3	1 1/2" X 8" X 12 GA. FRAME STRIKE REINFORCEMENTS
4	1/2" DIA. DYNABOLT ITW/REDHEAD SLEEVE ANCHOR (Ø/8" DIA. BOLT) X 4 1/2" SLEEVE ANCHOR W/ 3/4" DIA. WELDED PIPE SLEEVE W/ 1 1/8" MIN. EMBEDMENT & 3" MIN. EDGE DISTANCE
5	T-ANCHORS PER DETAIL SHEET 5
6	HAGER HINGES BB1279 4.5 X 4.5 X .134 THICK
7	MARKS 195 SERIES, SCHLAGE D SERIES OR BEST 93K
8	PEMCO 303AS WEATHER STRIP
9	PEMCO 2005av THRESHOLD
10	16 GA. (.063") MIN. (14 GA. MAX.) STEEL DOOR F.Y.M.I.N.F.= 46.3 KSI; F.U.M.I.N.F.= 52.1 KSI (OR S.S. MEETING F.Y.M.I.N.F.= 50.5 KSI; F.U.M.I.N.F.= 98.5 KSI)
11	1 1/2" X 10" X 7 GA. STEEL HINGE REINFORCEMENT
12	1 1/2" X 5" X 10 GA. LATCH REINFORCEMENT (CYLINDRICAL)
13	16 GAUGE LOCK BODY REINFORCEMENT
14	(16 GAUGE PLATE AT MORTISE LOCKS)
15	U-SHAPE END STEEL CHANNEL
16	1 1/2" X 1 1/2" X 1/2" FULL LENGTH STEEL CHANNEL
17	1 1/2" X 5 1/2" X 12 GA. STEEL BOX CHANNEL WELDED 6" O.C. FULL LENGTH
18	20 GAUGE HAT STIFFENERS 7 1/4" LONG W/ FIBERGLASS INSULATION OR POLYSTYRENE FOAM BY DYPLAST (FROM APACHE PRODUCTS) PER CURRENT NOA.
19	1 1/2" X 1 1/2" X 1/2" 16 GA. STEEL GLAZING CHANNEL REINFORCEMENT
20	1/2" LAMINATED GLASS 3/16" HEAT STRENGTHENED GLASS 0.075" INTERLAYER BY VANCEZA, LAMINATED BY OLDCASTLE GLASS 3/16" HET STRENGTHENED GLASS
21	18 GA. STEEL EXTRUDED DOOR GLAZING TRIM W/ #6 SCREWS @ 12" O/C



3/16" x 2" TARGON SET AT 12" O.C. (EMBED INTO CONCRETE W/ 1-1/4" MIN. PENETRATION)

Quality Engineered Products Co., Inc.
4506 QUALITY LN.
TAMPA, FL 33634
PH: (813) 885-1693 FX: (813) 884-2673

PREPARED BY: QUALITY ENGINEERED PRODUCTS
BILL OF MATERIALS
DATE: 02.10.21
DESCRIPTION: FBC 2020
BY: TA

REVISIONS

PROFESSIONAL ENGINEER
STATE OF FLORIDA
No. 75154
EXPIRES 12/31/2024

DATE: 02.26.16
DWG #: QEPO05
SHEET: 6 OF 6
SCALE: DMS
CHK BY: DMS
DRN BY: KRW