



DEPARTMENT OF REGULATORY AND ECONOMIC RESOURCES (RER)  
 BOARD AND CODE ADMINISTRATION DIVISION  
 NOTICE OF ACCEPTANCE (NOA)

MIAMI-DADE COUNTY  
 PRODUCT CONTROL SECTION  
 11805 SW 26 Street, Room 208  
 Miami, Florida 33175-2474  
 T (786) 315-2590 F (786) 315-2599  
[www.miamidade.gov/economy](http://www.miamidade.gov/economy)

**Quality Engineered Products Co., Inc.**

4506 Quality Lane  
 Tampa, FL 33634

**SCOPE:**

This NOA is being issued under the applicable rules and regulations governing the use of construction materials. The documentation submitted has been reviewed and accepted by Miami-Dade County RER -Product Control Section to be used in Miami Dade County and other areas where allowed by the Authority Having Jurisdiction (AHJ).

This NOA shall not be valid after the expiration date stated below. The Miami-Dade County Product Control Section (In Miami Dade County) and/or the AHJ (in areas other than Miami Dade County) reserve the right to have this product or material tested for quality assurance purposes. If this product or material fails to perform in the accepted manner, the manufacturer will incur the expense of such testing and the AHJ may immediately revoke, modify, or suspend the use of such product or material within their jurisdiction. RER reserves the right to revoke this acceptance, if it is determined by Miami-Dade County Product Control Section that this product or material fails to meet the requirements of the applicable building code.

This product is approved as described herein and has been designed to comply with the Florida Building Code, including the High Velocity Hurricane Zone.

**DESCRIPTION:** Series "QQ2" 16 ga. Outswing Glazed Commercial Steel Door w/Panic Device & Mortise Lock -LMI

**APPROVAL DOCUMENT:** Drawing No. **QQ2 REV 5**, titled "16 ga Out swinging Glazed Commercial Steel Door", sheets 1 through 13 of 13, prepared by manufacturer, dated 02/26/16 and last revised on 03/03/21, signed and sealed by Cody Davis, P. E., bearing the Miami-Dade County Product Control Revision stamp with the Notice of Acceptance number and expiration date by the Miami-Dade County Product Control Section.

**MISSILE IMPACT RATING: Large and Small Missile Impact Resistant**

**Limitations:**

1. See Design Pressure ratings (DP) VS lock types in sheet 1 thru 7. Max Single Door=+/- 90 PSF.
2. See anchor VS Door height VS DP in sheet 12.
3. Double Door w/HCF 9300 Rim with HC1 300 removable mullion (sheet 7) is rated at +80/-65 PSF.
4. Doors are 16 ga (min .063" thk) with min CS Tensile yield strength  $F_y = 46.3$  ksi and Tensile ultimate strength  $F_u = 52.1$  Ksi and SS Tensile yield strength  $F_y = 50.5$  ksi and Tensile ultimate strength  $F_u = 98.5$  Ksi.
5. EPS Polystyrene by Dyplast (former Apache Products), having current NOA.

**LABELING:** Each unit shall bear a permanent label with the manufacturer's name or logo, city, state and series and following statement: "Miami-Dade County Product Control Approved", noted herein.

**RENEWAL** of this NOA shall be considered after a renewal application has been filed and there has been no change in the applicable building code negatively affecting the performance of this product.

**TERMINATION** of this NOA will occur after the expiration date or if there has been a revision or change in the materials, use, and/or manufacture of the product or process. Misuse of this NOA as an endorsement of any product, for sales, advertising or any other purposes shall automatically terminate this NOA. Failure to comply with any section of this NOA shall be cause for termination and removal of NOA.

**ADVERTISEMENT:** The NOA number preceded by the words Miami-Dade County, Florida, and followed by the expiration date may be displayed in advertising literature. If any portion of the NOA is displayed, then it shall be done in its entirety.

**INSPECTION:** A copy of this entire NOA shall be provided to the user by the manufacturer or its distributors and shall be available for inspection at the job site at the request of the Building Official.

This NOA revises NOA # 19-0507.04 and consists of this page 1 and evidence pages E-1, E-2, E-3 & E-4, as well as approval document mentioned above.

The submitted documentation was reviewed by **Ishaq I. Chanda, P.E.**



*Ishaq I. Chanda*

NOA No. 20-1123.18  
 Expiration Date: January 30, 2024  
 Approval Date: April 01, 2021

NOTICE OF ACCEPTANCE: EVIDENCE SUBMITTED

1. Evidence submitted under previous approvals

A. DRAWINGS

1. Manufacturer's die drawings and sections (Submitted under files below)
2. Drawing No. **QQ2**, titled "16 ga Out swinging Glazed Commercial Steel Door", sheets 1 through 13 of 13, prepared by manufacturer, dated 02/26/16, with Revision 4 dated 02/26/16 signed and sealed by Cody Davis, P. E.

B. TESTS (Submitted under file #12-1115.06/#07-1017.10/04-0823.04)

1. Test reports on
  - 1) Air Infiltration Test, per FBC TAS 202-94
  - 2) Uniform Static Air Pressure Test, Loading per FBC, TAS 202.
  - 3) Water Resistance Test per FBC, TAS 202-94.
  - 4) Large Missile Impact Test per FBC, TAS 201-94
  - 5) Cyclic Wind Pressure Loading per FBC, TAS 203-94

Along with marked-up drawings & installation diagram of Commercial Steel Doors w /Panic devices, prepared by Certified Testing Laboratories Inc., Test Report No. **CTLA 1276W**, dated Nov. 11, 2004, signed and sealed by Ramesh Patel, P. E.

(Note: This test report has been revised under Test Report No. **CTLA 1276WR**, re-issued on Feb 01, 2005 by Certified Testing Laboratories, signed and sealed by Ramesh Patel, P. E.)

2. Test reports
  - 1) Air Infiltration Test, per FBC TAS 202-94
  - 2) Uniform Static Air Pressure Test, Loading per FBC, TAS 202.
  - 3) Water Resistance Test per FBC, TAS 202-94.
  - 4) Large Missile Impact Test per FBC, TAS 201-94
  - 5) Cyclic Wind Pressure Loading per FBC, TAS 203-94
  - 6) Forced Entry Test, per FBC and TAS 202-94

Along with marked-up drawings and installation diagram of Single Commercial Steel Doors, prepared by Certified Testing Lab Inc., Test Report No. **CTLA 1238W**, dated **08/13/04**, signed and sealed by Ramesh Patel, P. E.

Along with marked-up drawings and installation diagram of Single Commercial Steel Doors, prepared by Certified Testing Lab Inc., Test Report No. **CTLA 1238WR**, dated **08/25/04** and revised on 02/25/05, signed and sealed by Ramesh Patel, P. E

3. Test report on
  - 1) Uniform Static Air Pressure Test, Loading per FBC, TAS 202.
  - 2) Large Missile Impact Test per FBC, TAS 201-94
  - 3) Cyclic Wind Pressure Loading per FBC, TAS 203-94

Along with marked-up drawings and installation diagram of Commercial Steel Doors w/ panic Devices, prepared by Certified Testing Lab Inc., Test Report No. Test Report No. **CTLA 976WA-2R**, dated 07/12/04, and revised on 02/25/05 signed and sealed by Ramesh Patel, P. E.

4. Additional Test reports **HTL-0050-4007-96** and **HTL-0050-0104-96** tested per SFBC PA 201, 202 & 203-94, issued by Hurricane Testing lab, dated 04-17-96 and 01/15/96 both signed and sealed by Timothy S. Marshall, P.E. (submitted under files 00-0726.01/03-0708.02)

C. CALCULATIONS

1. Anchor verification calculations complying w/ FBC 2014 (5<sup>th</sup> Edition), dated 07/11/16, prepared, signed and sealed by Cody Davis, P.E.
2. Glazing complies w/ASTME-1300-02, -04.

*Ishaq I. Chanda*

Ishaq I. Chanda, P.E.  
Product Control Unit Supervisor  
NOA No. 20-1123.18  
Expiration Date: January 30, 2024  
Approval Date: April 01, 2021

**NOTICE OF ACCEPTANCE: EVIDENCE SUBMITTED**

**D. QUALITY ASSURANCE**

- 1 Miami Dade Department of Regulatory and Economic Resources (RER)

**E. MATERIAL CERTIFICATIONS (Submitted under file # 07-1017.10/#04-0823.05)**

1. Tensile test report prepared by Certified Testing Laboratories Inc., Test Report No. **CTL 1023J (CTLA114W)**, tested per ASTM E-A370-97, dated December 02,2003, signed and sealed by Ramesh Patel, P. E.
2. Notice of Acceptance No. **11-0926.07** issued to Dyplastic Products, LLC (former Apache Products Co) for “EPS-Expanded Polystyrene Insulation”, expiring on 01/11/2017.
3. Notice of Acceptance No. **15-1201.11** issued to Eastman chemical Company (Former Solutia, Inc.) for their “Saflex clear & color Interlayer”, expiring on 05/21/2021.
4. Notice of Acceptance No.**14-0423.11** issued to Oldcastle Building Envelope, Inc. N.J. (Former Oldcastle, Inc.) for their “StormGlass Glass Interlayer”, expiring on 12/11/2018

**F. STATEMENTS**

1. Statement letter of conformance, complying with FBC-2014 (5<sup>th</sup> edition), issued, prepared, signed, sealed and dated 07/11/16 by Cody Davis, P. E.
2. Statement letter dated 07/29/16 of successor engineer adopting as his own, another engineer’s work per FAC, Rule Chapter 61G15-27, issued by Master Consulting Engineers, Inc., both signed and sealed by Cody Davis, P. E.
3. Statement letter of compliance, as a part of the above referenced test reports.

**G. OTHER**

1. This renews **NOA # 13-0606.04**, expiring 07/11/18.
2. Previous associated files with this NOA(s) are # **07-1017.10, 04-0823.05 & # 02-1011.05**.
3. Test Proposal by Q. E. P. dated September 19, 2002, approved by BCCO.

**2. Evidence submitted under file #17-1102.03.**

**A. DRAWINGS**

1. Drawing No. **QQ2 REV 4**, titled “16 ga Out swinging Glazed Commercial Steel Door”, sheets 1 through 13 of 13, prepared by manufacturer, dated 02/26/16 and last revised on 02/26/16, signed and sealed by Cody Davis, P. E.

**B. Test**

1. None.

**C. CALCULATIONS**

1. None.

**D. QUALITY ASSURANCE**

1. Miami Dade Department of Regulatory and Economic Resources (RER).

**E. MATERIAL CERTIFICATIONS**

1. Notice of Acceptance No. **17-1207.05** issued to Dyplastic Products, LLC (former Apache Products Co) for “E& R-Board Expanded Polystyrene Rigid Foam Insulation”, expiring on 01/11/2022.

*Ishaq I. Chanda*

---

Ishaq I. Chanda, P.E.  
Product Control Unit Supervisor  
NOA No. 20-1123.18  
Expiration Date: January 30, 2024  
Approval Date: April 01, 2021

Quality Engineered Products Co, Inc.

NOTICE OF ACCEPTANCE: EVIDENCE SUBMITTED

**F. STATEMENTS**

1. Statement letter of conformance to FBC 2017 (6<sup>th</sup> Edition), dated 12/01/17, prepared by Master Consulting Engineer Inc., signed and sealed by Cody Davis, P. E.
2. Statement later issued by Quality Engineered Prod., dated 02/02/18, requesting one year renewal, subjected to verification test completion per RER e-mail dated Jan 09, 2019, signed by A. Bernstein, V.P.

**G. OTHER**

1. This NOA conditionally **renews** for **one** year # **15-0422.04**, expiring 01/30/19, subjected to verification test (glazing/hardware), as **laid out** per RER e-mail dated JAN 09, 2018.

**3. Evidence submitted under previous approval**

**A. DRAWINGS**

1. Drawing No. **QQ2 REV 4**, titled "16 ga Out swinging Glazed Commercial Steel Door", sheets 1 through 13 of 13, prepared by manufacturer, dated 02/26/16 and last revised on 04/30/19 signed and sealed by Cody Davis, P. E.

**B. TESTS**

1. Test reports on
  - 1) Uniform Static Air Pressure Test, Loading per FBC, TAS 202.
  - 2) Water Resistance Test per FBC, TAS 202-94.
  - 3) Large Missile Impact Test per FBC, TAS 201-94
  - 4) Cyclic Wind Pressure Loading per FBC, TAS 203-94

Along with marked-up drawings and installation diagram of glazed outswing Steel Commercial Steel Doors, prepared by Fenestration Testing Laboratories Inc., Test Report No. **FTLA 1435**, dated April 14, 2019, signed and sealed by Idalmis Ortega, P. E.

**C. CALCULATIONS**

1. None.

**D. QUALITY ASSURANCE**

1. Miami Dade Department of Regulatory and Economic Resources (RER).

**E. MATERIAL CERTIFICATIONS**

1. Notice of Acceptance No. **17-1207.05** issued to Dyplastic Products, LLC (former Apache Products Co) for "E& R-Board Expanded Polystyrene Rigid Foam Insulation", expiring on 01/11/2022.
2. Notice of Acceptance No. **15-1201.11** issued to Eastman chemical Company (Former Solutia, Inc.) for their "Saflex clear & color Interlayer", expiring on 05/21/2021.
3. Notice of Acceptance No. **18-0611.02** issued to Oldcastle Building Envelope, Inc. N.J. (Former Oldcastle, Inc.) for their "StormGlass Glass Interlayer", expiring on 11/11/2025.

**F. STATEMENTS (Submitted under file #17-1102.03)**

1. Statement letter of conformance to FBC 2017 (6<sup>th</sup> Edition), dated 12/01/17, prepared by Master Consulting Engineer Inc., signed and sealed by Cody Davis, P. E.

**G. OTHER**

1. This NOA **revises & renews** NOA # **17-1102.03**, expiring 01/30/24.
2. RER e-mail test proposal dated Jan 09, 2018.

*Ishaq I. Chanda*

Ishaq I. Chanda, P.E.  
Product Control Unit Supervisor  
NOA No. 20-1123.18  
Expiration Date: January 30, 2024  
Approval Date: April 01, 2021

NOTICE OF ACCEPTANCE: EVIDENCE SUBMITTED

4. **New Evidence submitted**

A. **DRAWINGS**

1. Drawing No. **QQ2 REV 5**, titled "16 ga Out swinging Glazed Commercial Steel Door", sheets 1 through 13 of 13, prepared by manufacturer, dated 02/26/16 and last revised on 03/03/21, signed and sealed by Cody Davis, P. E.

B. **TESTS**

1. None.

C. **CALCULATIONS**

1. None.

D. **QUALITY ASSURANCE**

1. Miami Dade Department of Regulatory and Economic Resources (RER).

E. **MATERIAL CERTIFICATIONS**

1. Notice of Acceptance No. **17-1207.05** issued to Dyplastic Products, LLC (former Apache Products Co) for "E& R-Board Expanded Polystyrene Rigid Foam Insulation", expiring on 01/11/2022.
4. Notice of Acceptance No. **15-1201.11** issued to Eastman chemical Company (Former Solutia, Inc.) for their "Saflex clear & color Interlayer", expiring on 05/21/2021.
5. Notice of Acceptance No. **18-0611.02** issued to Oldcastle Building Envelope, Inc. N.J. (Former Oldcastle, Inc.) for their "StormGlass Glass Interlayer", expiring on 11/11/2025.

F. **STATEMENTS**

1. Statement letter of conformance to FBC 2020 (7<sup>th</sup> Edition), dated 03/03/21, prepared by Master Consulting Engineer Inc., signed and sealed by Cody Davis, P. E.

G. **OTHER**

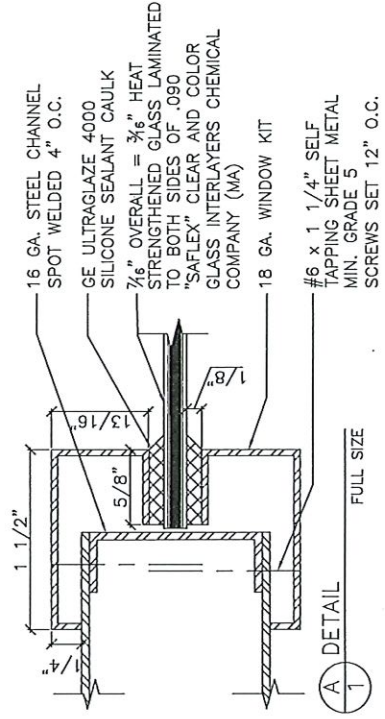
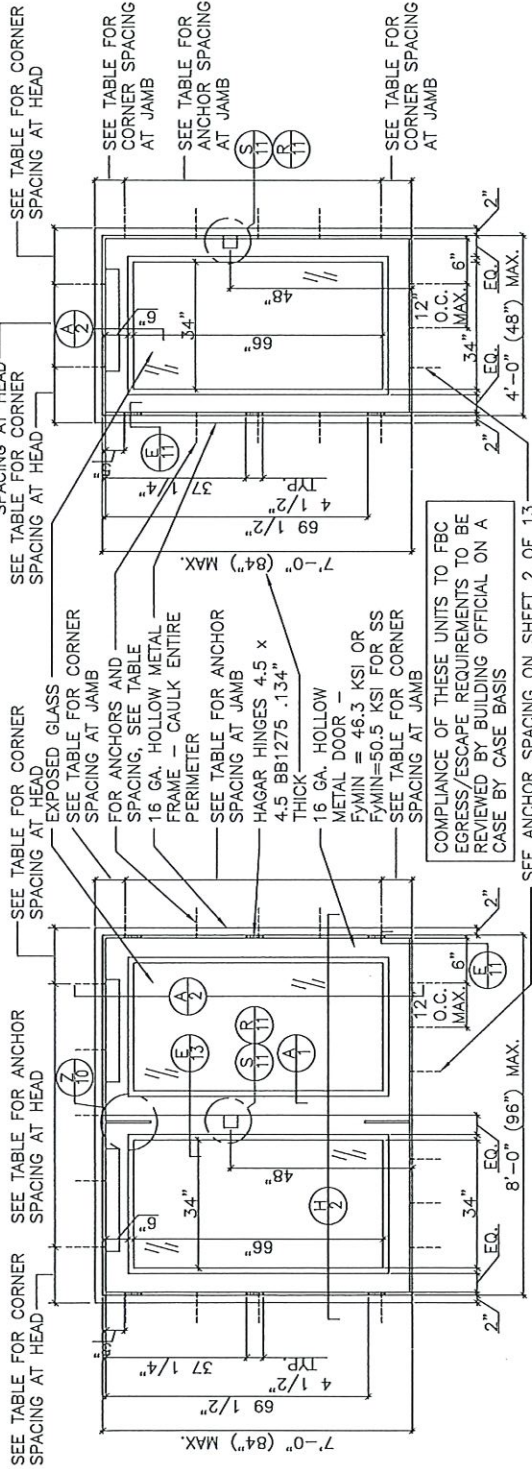
1. This NOA revises NOA # **19-0507.04**, expiring 01/30/24.

*Ishaq I. Chanda*

---

Ishaq I. Chanda, P.E.  
Product Control Unit Supervisor  
NOA No. 20-1123.18  
Expiration Date: January 30, 2024  
Approval Date: April 01, 2021

# GLAZED STEEL DOOR WITH DEADLOCK



**PRODUCT REVISED**  
 as complying with the Florida  
 Building Code **20-1123.18**  
 NOA-No. **20-1123.18**  
 Expiration Date **01/30/2024**  
 By *Isheng I. Linnich*  
**Miami-Dade Product Control**

**NOTE:**  
 ALL DOORS AND FRAMES ARE  
 BONDERIZED AND GIVEN ONE COAT  
 OF RED RUST INHIBITIVE PRIMER.  
 LOCK FUNCTION TESTED:  
 ARROW SERIES  
 D-41 DEADBOLT  
 DESIGN PRESSURE RATING  
 W/ DEADBOLT:  
 + 40 PSF / - 50 PSF

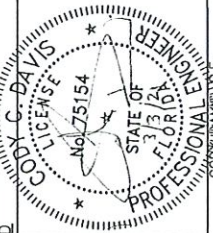
HURRICANE PROTECTION SHUTTERS  
 ARE NOT REQUIRED

### INDEX OF DRAWINGS:

- GLAZED STEEL DOOR WITH DEADLOCK
- GLAZED STEEL DOOR WITH RIM EXIT DEVICE AND REMOVABLE MULLION
- GLAZED DOOR WITH MORTISE LOCK (SINGLE DOOR ONLY)
- GLAZED STEEL DOOR WITH "DORMA" RIM EXIT DEVICE AND REMOVABLE MULLION
- DOOR CONSTRUCTION, DOOR AND FRAME REINFORCEMENTS, ANCHOR DETAILS, ANCHOR TABLES, AND COMMON DETAILS

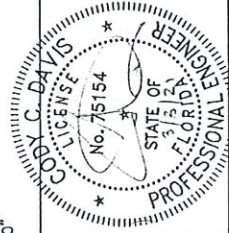
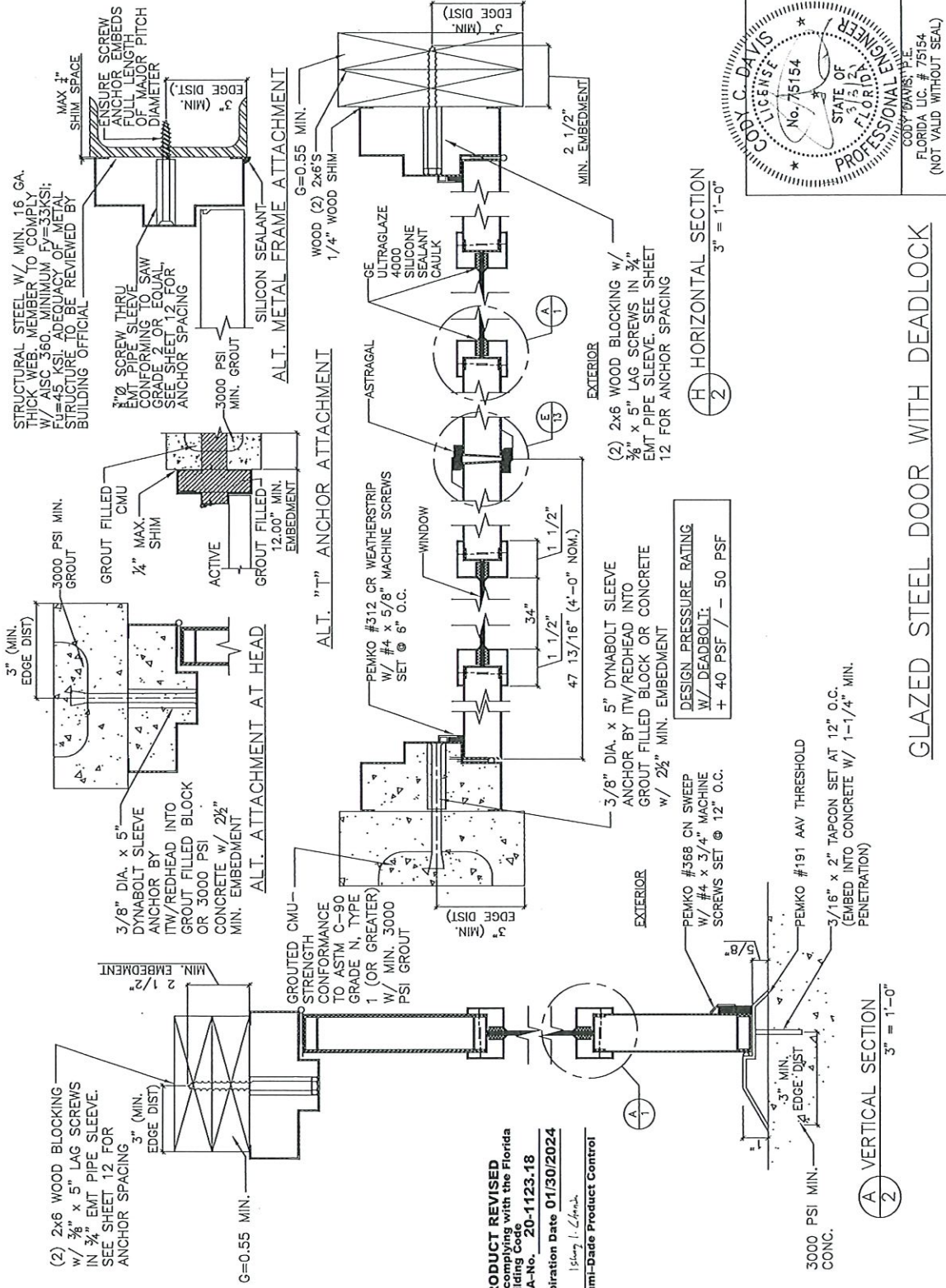
### SHEETS:

- 1 THRU 2
- 3 THRU 4
- 5 THRU 6
- 7 THRU 8
- 9 THRU 13



CODY C. DAVIS  
 FLORIDA LIC. # 75154  
 (NOT VALID WITHOUT SEAL)

16 GA. OUTSWINGING GLAZED COMMERCIAL STEEL DOOR  
DRAWING NUMBER  
002



CORRECTION: SEE FLORIDA LIC. # 75154 (NOT VALID WITHOUT SEAL)

GLAZED STEEL DOOR WITH DEADLOCK

**PRODUCT REVISED**  
as complying with the Florida  
Building Code  
NOA-No. 20-1123-18  
Expiration Date 01/30/2024  
By Irving I. C. Frank  
Miami-Dade Product Control

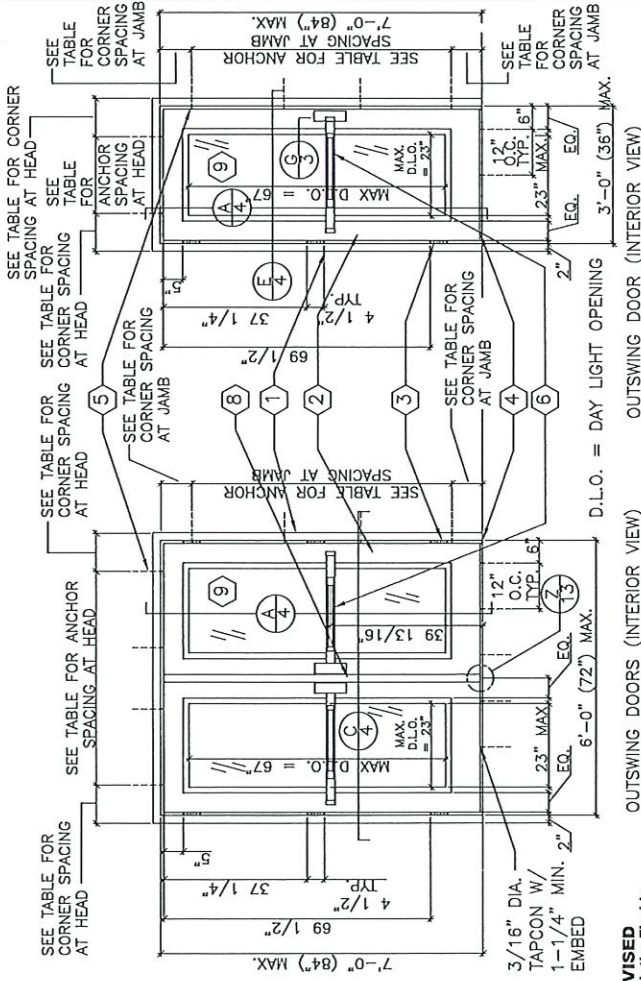
A VERTICAL SECTION  
3" = 1'-0"

DESIGN PRESSURE RATING  
W/ DEADBOLT:  
+ 40 PSF / - 50 PSF

H HORIZONTAL SECTION  
3" = 1'-0"

16 GA. OUTSWINGING GLAZED COMMERCIAL STEEL DOOR  
DRAWING NUMBER Q02

ITEM #	QUANTITY	BILL OF MATERIALS
1	1	16 GA. (0.053") MIN. (14 GA. MAX.) STEEL HOLLOW METAL FRAME F <sub>MIN</sub> =46.3 KSI; F <sub>MAX</sub> =52.1 KSI (OR S.S. MEETING F <sub>MIN</sub> =50.5 KSI; F <sub>MAX</sub> =58.5 KSI)
2	2	16 GA. (0.053") MIN. (14 GA. MAX.) GLAZED STEEL STORE F <sub>MIN</sub> =46.3 KSI; F <sub>MAX</sub> =52.1 KSI (OR S.S. MEETING F <sub>MIN</sub> =50.5 KSI; F <sub>MAX</sub> =58.5 KSI)
3	6	HAGAR HINGES BB1279 4/2" x 4/2" x 0.134" THICK
4	1	PEMCO 2005AV THRESHOLD
5	SEE ANCHOR TABLE	3/8" X 5" DYNABOLT SLEEVE ANCHOR BY ITW/REDHEAD w/ 3/4" EMT WELDED PIPE SLEEVE w/ 2-1/2" MIN. EMBED & 3" MIN. EDGE DISTANCE CONCRETE OR GROUT FILLED BLOCK
6	2	RIM EXIT DEVICE—PRECISION FL2100/ PRECISION 2100/ SARGENT HC8800/ VON DUPRIN 98/99/ CORBIN RUSWIN ED5200
7	AS REQ.	EPS POLYSTYRENE FOAM CORE BY DYNAPLAST OR 20 GA. STEEL RIB OR HONEYCOMB
8	1	PRECISION FL822 REMOVABLE MULLION
9	AS REQ.	7/16" LAMINATED GLASS (3/16" HS + 0.090" STORMGLASS INTERLAYER BY OLDCASTLE +3/16" HS) BY OLDCASTLE BUILDING ENVELOPE, INC. (NU)
10	AS REQ.	PRECISION CORNING #995 STRUCTURAL SILICONE SEALANT



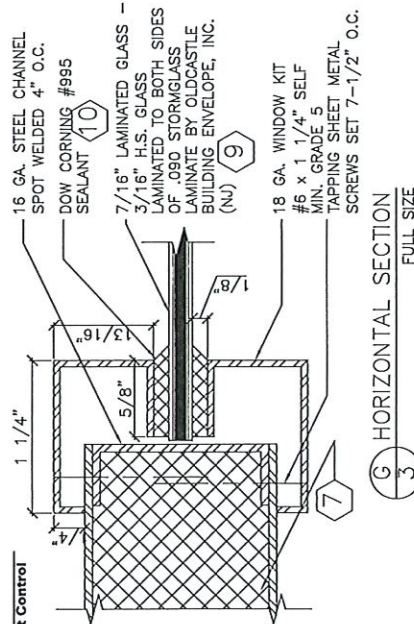
DESIGN PRESSURE RATING VS. EXIT DEVICE PART #6 & PRECISION REMOVABLE MULLION FL822	POSITIVE	NEGATIVE
SPEC #1 - PRECISION FL2100 RIM EXIT DEVICE OR PRECISION REMOVABLE MULLION FL822	+65 PSF *	-65 PSF
SPEC #2 - PRECISION 2100 RIM EXIT DEVICE OR	+65 PSF *	-65 PSF
SPEC #3 - SARGENT RIM EXIT DEVICE HC8800 OR	+70 PSF *	-70 PSF
SPEC #4 - VON DUPRIN RIM EXIT DEVICE 98 OR	+70 PSF *	-70 PSF
SPEC #5 - CORBIN RUSWIN RIM EXIT DEVICE ED5200	+65 PSF *	-65 PSF

\* = NOT RATED WHERE WATER INFILTRATION IS NEEDED.



CODY DAVIS, P.E.  
FLORIDA LIC. # 75154  
(NOT VALID WITHOUT SEAL)

GLAZED STEEL DOOR WITH RIM EXIT  
DEVICE AND REMOVABLE MULLION



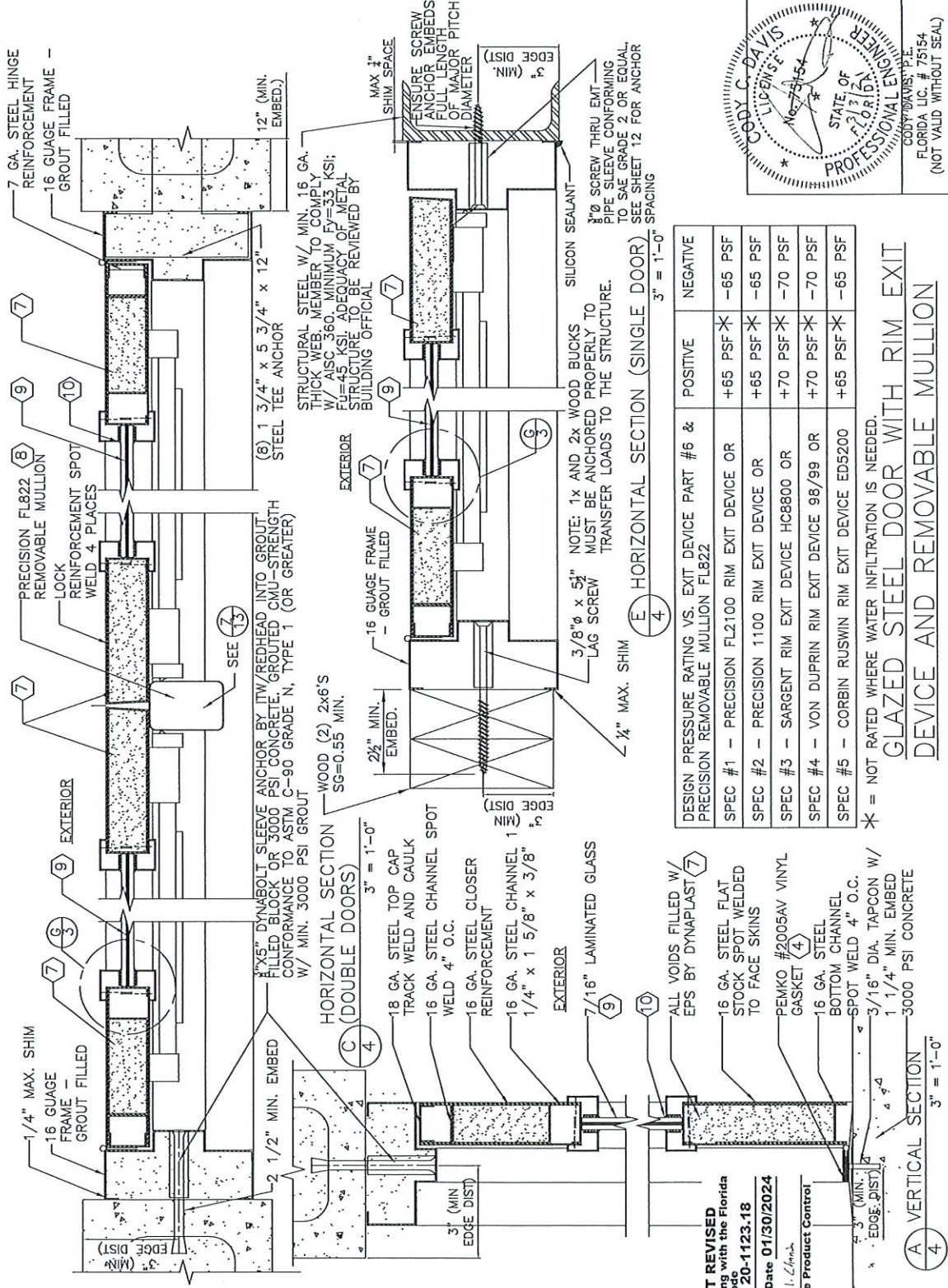
3 HORIZONTAL SECTION  
FULL SIZE

**PRODUCT REVISED**  
as complying with the Florida  
Building Code  
NOA-No. 20-1123.18  
Expiration Date 01/30/2024

By *Sheng L. Chen*  
Miami-Dade Product Control



16 GA. OUTSWINGING GLAZED COMMERCIAL STEEL DOOR  
DRAWING NUMBER Q02



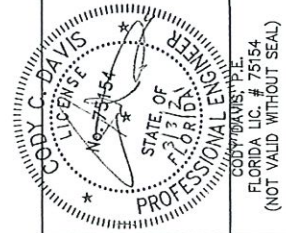
**PRODUCT REVISED**  
As complying with the Florida Building Code  
NOA-No. 20-1123-18  
Expiration Date 01/30/2024  
By: [Signature]  
Miami-Dade Product Control

**DESIGN PRESSURE RATING VS. EXIT DEVICE PART #6 & PRECISION REMOVABLE MULLION FL822**

DESIGN PRESSURE RATING VS. EXIT DEVICE PART #6 & PRECISION REMOVABLE MULLION FL822	POSITIVE	NEGATIVE
SPEC #1 - PRECISION FL2100 RIM EXIT DEVICE OR	+65 PSF*	-65 PSF
SPEC #2 - PRECISION 1100 RIM EXIT DEVICE OR	+65 PSF*	-65 PSF
SPEC #3 - SARGENT RIM EXIT DEVICE HC8800 OR	+70 PSF*	-70 PSF
SPEC #4 - VON DUPRIN RIM EXIT DEVICE 98/99 OR	+70 PSF*	-70 PSF
SPEC #5 - CORBIN RUSWIN RIM EXIT DEVICE EDS200	+65 PSF*	-65 PSF

\* = NOT RATED WHERE WATER INFILTRATION IS NEEDED.

**GLAZED STEEL DOOR WITH RIM EXIT DEVICE AND REMOVABLE MULLION**



SEE SHEET 12 FOR ANCHOR  
PIPE SLEEVE CONFORMING  
TO SAE GRADE 2 OR EQUAL,  
3\"/>

NOTE: 1x AND 2x WOOD BUCKS  
MUST BE ANCHORED PROPERLY TO  
TRANSFER LOADS TO THE STRUCTURE.

3/8\"/>

1/4\"/>

2 1/2\"/>

WOOD (2) 2x6'S  
SG=0.55 MIN.

3\"/>

18 GA. STEEL TOP CAP  
TRACK WELD AND CAULK

16 GA. STEEL CHANNEL SPOT  
WELD 4\"/>

16 GA. STEEL CLOSER  
REINFORCEMENT

16 GA. STEEL CHANNEL  
1/4\"/>

7/16\"/>

ALL VOIDS FILLED W/  
EPS BY DYNAPLAST

16 GA. STEEL FLAT  
STOCK SPOT WELDED  
TO FACE SKINS

PEMCO #2005AV VINYL  
GASKET

16 GA. STEEL  
BOTTOM CHANNEL

SPOT WELD 4\"/>

3/16\"/>

1 1/4\"/>

3000 PSI CONCRETE

3\"/>

1 1/2\"/>

3\"/>

12\"/>

7 GA. STEEL HINGE  
REINFORCEMENT  
16 GAUGE FRAME -  
GROUT FILLED

PRECISION FL822  
REMOVABLE MULLION  
LOCK  
REINFORCEMENT SPOT  
WELD 4 PLACES

WOOD 2x6'S  
SG=0.55 MIN.

3\"/>

1 1/2\"/>

3\"/>

12\"/>

7 GA. STEEL HINGE  
REINFORCEMENT  
16 GAUGE FRAME -  
GROUT FILLED

PRECISION FL822  
REMOVABLE MULLION  
LOCK  
REINFORCEMENT SPOT  
WELD 4 PLACES

WOOD 2x6'S  
SG=0.55 MIN.

3\"/>

1 1/2\"/>

3\"/>

12\"/>

7 GA. STEEL HINGE  
REINFORCEMENT  
16 GAUGE FRAME -  
GROUT FILLED

PRECISION FL822  
REMOVABLE MULLION  
LOCK  
REINFORCEMENT SPOT  
WELD 4 PLACES

WOOD 2x6'S  
SG=0.55 MIN.

3\"/>

1 1/2\"/>

3\"/>

12\"/>

7 GA. STEEL HINGE  
REINFORCEMENT  
16 GAUGE FRAME -  
GROUT FILLED

PRECISION FL822  
REMOVABLE MULLION  
LOCK  
REINFORCEMENT SPOT  
WELD 4 PLACES

WOOD 2x6'S  
SG=0.55 MIN.

3\"/>

1 1/2\"/>

3\"/>

12\"/>

7 GA. STEEL HINGE  
REINFORCEMENT  
16 GAUGE FRAME -  
GROUT FILLED

PRECISION FL822  
REMOVABLE MULLION  
LOCK  
REINFORCEMENT SPOT  
WELD 4 PLACES

WOOD 2x6'S  
SG=0.55 MIN.

3\"/>

1 1/2\"/>

3\"/>

12\"/>

7 GA. STEEL HINGE  
REINFORCEMENT  
16 GAUGE FRAME -  
GROUT FILLED

PRECISION FL822  
REMOVABLE MULLION  
LOCK  
REINFORCEMENT SPOT  
WELD 4 PLACES

WOOD 2x6'S  
SG=0.55 MIN.

3\"/>

1 1/2\"/>

3\"/>

12\"/>

7 GA. STEEL HINGE  
REINFORCEMENT  
16 GAUGE FRAME -  
GROUT FILLED

PRECISION FL822  
REMOVABLE MULLION  
LOCK  
REINFORCEMENT SPOT  
WELD 4 PLACES

WOOD 2x6'S  
SG=0.55 MIN.

3\"/>

1 1/2\"/>

3\"/>

12\"/>

7 GA. STEEL HINGE  
REINFORCEMENT  
16 GAUGE FRAME -  
GROUT FILLED

PRECISION FL822  
REMOVABLE MULLION  
LOCK  
REINFORCEMENT SPOT  
WELD 4 PLACES

WOOD 2x6'S  
SG=0.55 MIN.

3\"/>

1 1/2\"/>

3\"/>

12\"/>

7 GA. STEEL HINGE  
REINFORCEMENT  
16 GAUGE FRAME -  
GROUT FILLED

PRECISION FL822  
REMOVABLE MULLION  
LOCK  
REINFORCEMENT SPOT  
WELD 4 PLACES

WOOD 2x6'S  
SG=0.55 MIN.

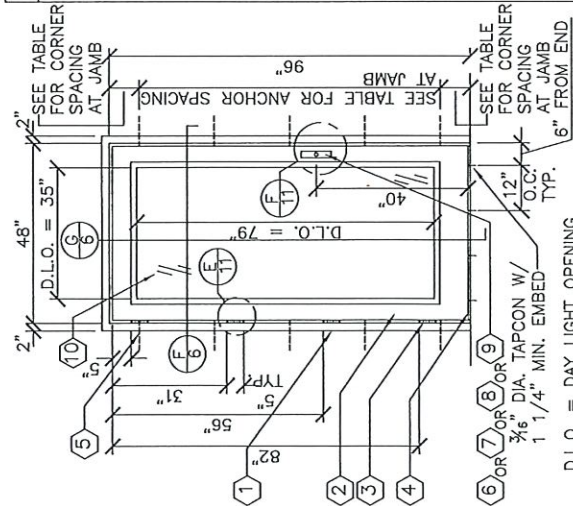
3\"/>

1 1/2\"/>

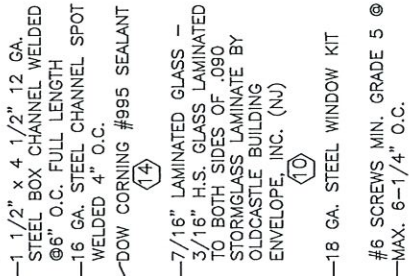
3\"/>

12\"/>

# GLAZED STEEL DOOR WITH MORTISE LOCK



OUTSWINGING DOOR (INTERIOR VIEW)  
3/8" = 1'-0"

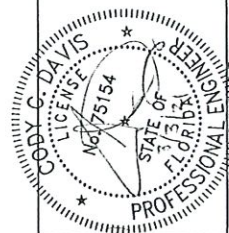


5 G  
4 1/2"  
FULL SIZE  
DETAIL LOCK CHANNEL

ITEM #	QUANTITY	BILL OF MATERIALS
1	1	16 GA. (0.0637) MIN. (14 GA. MAX.) STEEL HOLLOW MET. FRAME FMIN= 45.3 KSI; FUMIN= 82.1 KSI (OR S.S. MEETING FMIN= 50.5 KSI; FUMIN= 86.5 KSI)
2	1	16 GA. (0.0637) MIN. (14 GA. MAX.) GLAZED STEEL STORE FMIN= 46.3 KSI; FUMIN= 52.1 KSI (OR S.S. MEETING FMIN= 50.5 KSI; FUMIN= 86.5 KSI)
3	4	HAGAR HINGES BB1279 4.5 x 4.5 .134" THICK
4	1	PEMCO 2005AV THRESHOLD
5	SEE ANCHOR TABLE	3/8" X 5" DYNABOLT SLEEVE ANCHOR BY ITW/REDHEAD 3/8" MIN. EMBED. 3" MIN. EDGE DIST. INTO 3" X 5" CONCRETE OR GROUT FILLED BLOCK
6	1	CORBIN RUSWIN M12200 MORTISE LOCK
7	1	DORMA ML9953 MORTISE LOCK
8	1	SCHLAGE L9456 MORTISE LOCK
9	1	SARGENT 8243 MORTISE LOCK
10	1	7/16" HS LAMINATED GLASS BY OLDCASTLE BUILDING ENVELOPE, INC. (NU)
11	1	PEMCO 347A TOP DRIP
12	2	PEMCO 68A DOOR TOP WEATHERSTRIP
13	3	PEMCO 303AS WEATHERSTRIP
14	AS REQ'D	DOW CORNING #995 STRUCTURAL SILICONE SEALANT

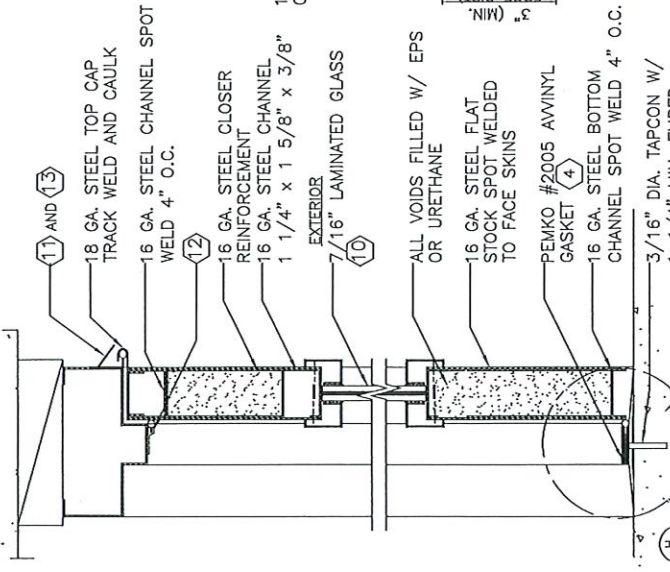
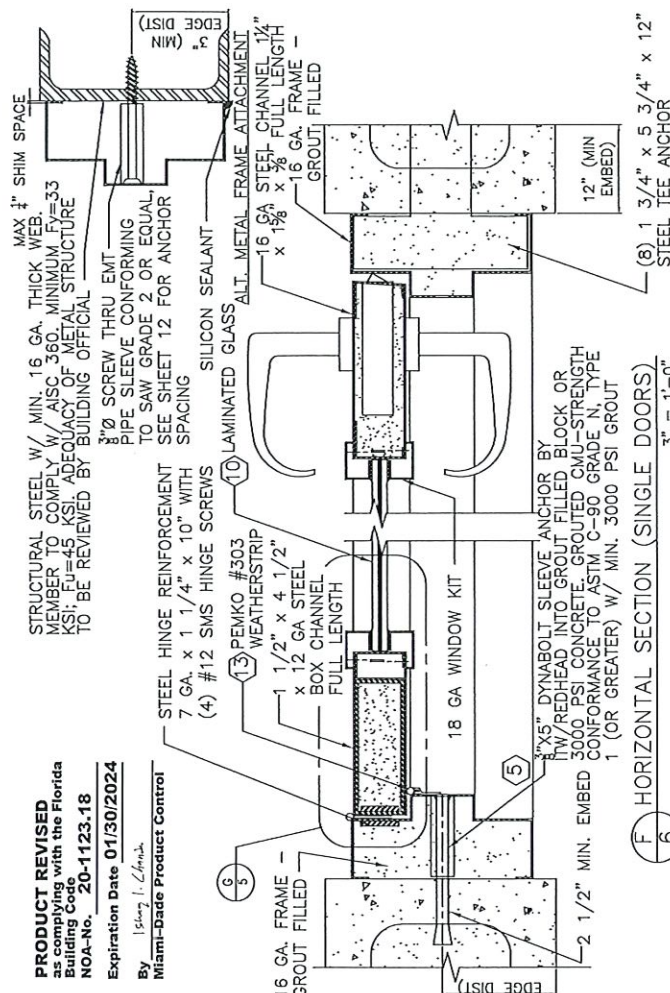
DESIGN PRESSURE RATING SINGLE DOOR W/ MORTISE LOCK (ITEM #6, 7, 8, & 9)	WHERE AIR & WATER INFILTRATION REQUIREMENT IS NEEDED	WHERE AIR & WATER INFILTRATION REQUIREMENT IS NOT NEEDED
POSITIVE	+90 PSF	+90 PSF
NEGATIVE	-90 PSF	-90 PSF

**PRODUCT REVISED**  
as complying with the Florida Building Code  
NOA-No. 20-1123.18  
Expiration Date 01/30/2024  
By Isling L. Linn  
Miami-Dade Product Control



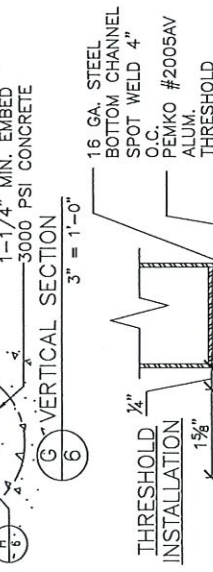
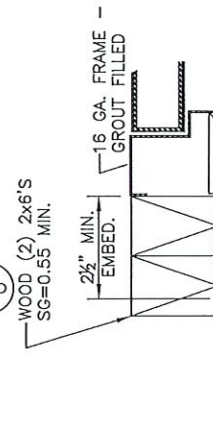
FLORIDA LIC. # 75154  
(NOT VALID WITHOUT SEAL)

16 GA. OUTSWINGING GLAZED COMMERCIAL STEEL DOOR Q02 DRAWING NUMBER



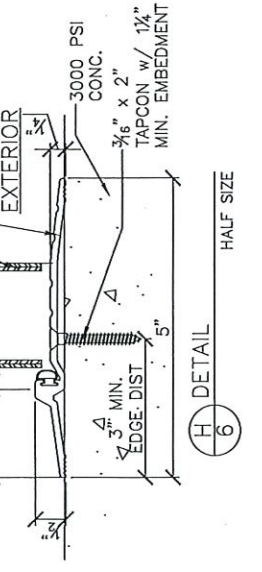
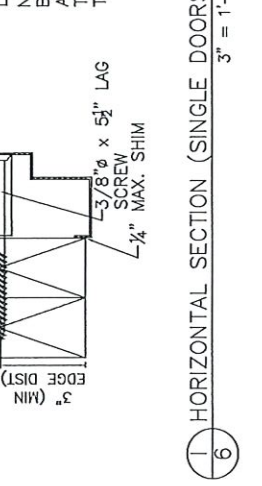
DESIGN PRESSURE RATING SINGLE DOOR W/ MORTISE LOCK (ITEM #6, 7, 8, & 9)	WHERE AIR & WATER INFILTRATION REQUIREMENT IS NOT NEEDED	WHERE AIR & WATER INFILTRATION REQUIREMENT IS NEEDED
POSITIVE	+90 PSF	+90 PSF
NEGATIVE	-90 PSF	-90 PSF

NOTE: 1x AND 2x WOOD BUCKS MUST BE ANCHORED PROPERLY TO TRANSFER LOADS TO THE STRUCTURE.



STATE OF FLORIDA  
 PROFESSIONAL ENGINEER  
 CODY DAVIS, P.E.  
 FLORIDA LIC. # 75154  
 (NOT VALID WITHOUT SEAL)

PRODUCT REVISED as complying with the Florida Building Code NOA-No. 20-1123-18  
 Expiration Date 01/30/2024  
 By [Signature] I. L. [Signature]  
 Miami-Dade Product Control



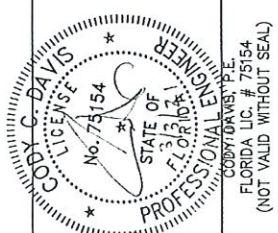
H DETAIL HALF SIZE

16 GA. OUTSWINGING GLAZED COMMERCIAL STEEL DOOR

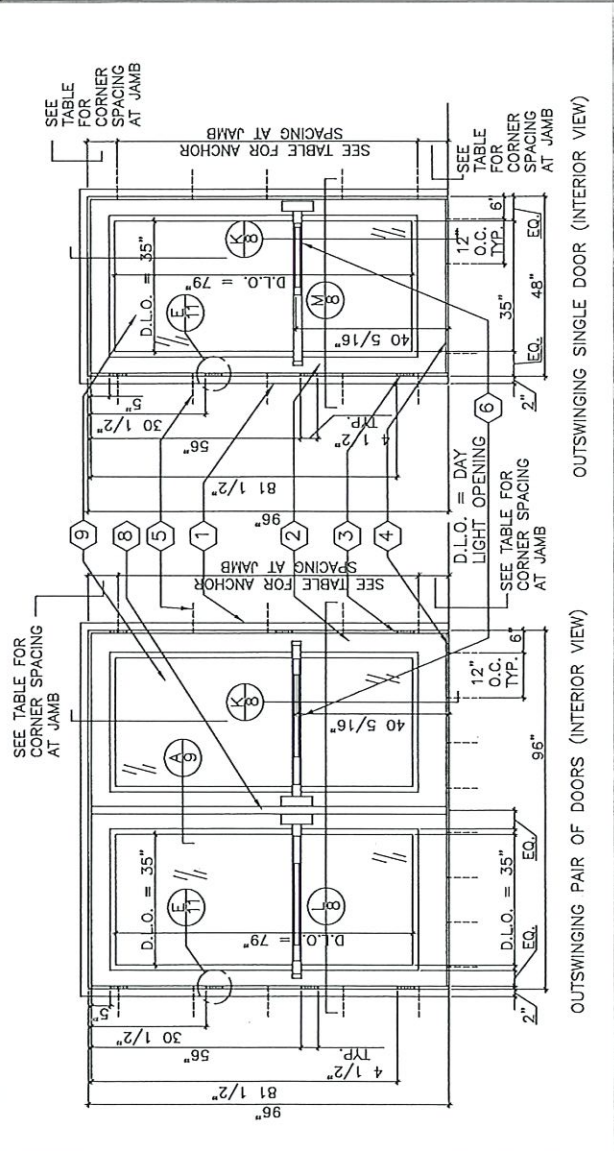
ITEM #	QUANTITY	BILL OF MATERIALS
1	1	16 GA. (L837) MIN. (14 GA. MAX.) STEEL HOLLOW (OR SECTION) CHANNEL FULLEN= 50.5 KSI; FULLEN= 98.5 KSI)
2	2	16 GA. (L837) MIN. (14 GA. MAX.) GLAZED STEEL STORE FULLEN= 46.5 KSI; FULLEN= 52.1 KSI (OR S.S. MEETING FULLEN= 50.5 KSI; FULLEN= 98.5 KSI)
3	8	HAGAR HINGES 4.5 X 4.5
4	1	BB1279 .134" THICK
5	10	PEMCO 2005AV THRESHOLD 3/8" X 5" DYNABOLT SLEEVE ANCHOR BY ITW/REDHEAD W/ 3/4" EMT WELDED PIPE SLEEVE W/ 2-1/2" MIN. EMBED & 3" MIN. EDGE DISTANCE CONCRETE OR GROUT FILLED BLOCK
6	2	DORMA VERTICAL ROD EXIT DEVICE HCF9400 OR HCF9300 X YR08
7	AS REQ'D	EPS POLYSTYRENE FOAM CORE BY DYNOPLAST OR 20 GA. STEEL RIB OR HONEYCOMB
8	1	DORMA HC1300 REMOVABLE MULLION (DOUBLE DOORS) (NOT REQ. FOR VERTICAL ROD)
9	AS REQ'D	7/16" LAMINATED GLASS (3/16" HS + .090" INTERLAYER BY OLDCASTLE BUILDING ENVELOPE, INC. (NJ))
10	AS REQ'D	DOW CORNING #995 STRUCTURAL SILICONE SEALANT
11	2	PEMCO 68A DOOR TOP WEATHERSTRIP
12	3	NATIONAL GUARD #1305A WEATHERSTRIP
13	1	PEMCO 347A TOP DRIP

W/DORMA VERTICAL ROD EXIT DEVICES OR  
RIM EXIT DEVICES W/REMOVABLE MULLION

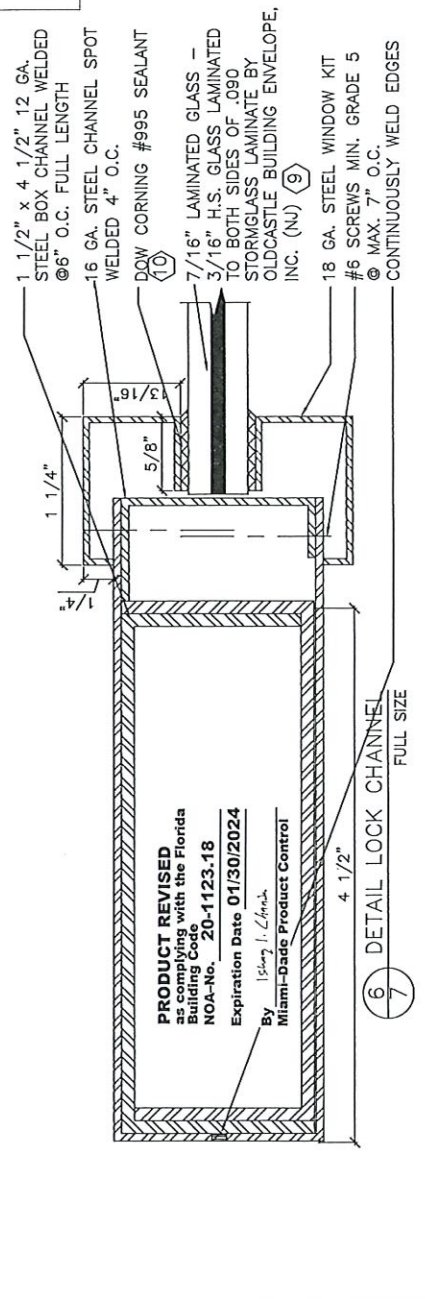
SINGLE GLAZED DOOR  
W/RIM EXIT DEVICE



COOPY, DAVIS, P.E.  
FLORIDA LIC. # 75154  
(NOT VALID WITHOUT SEAL)



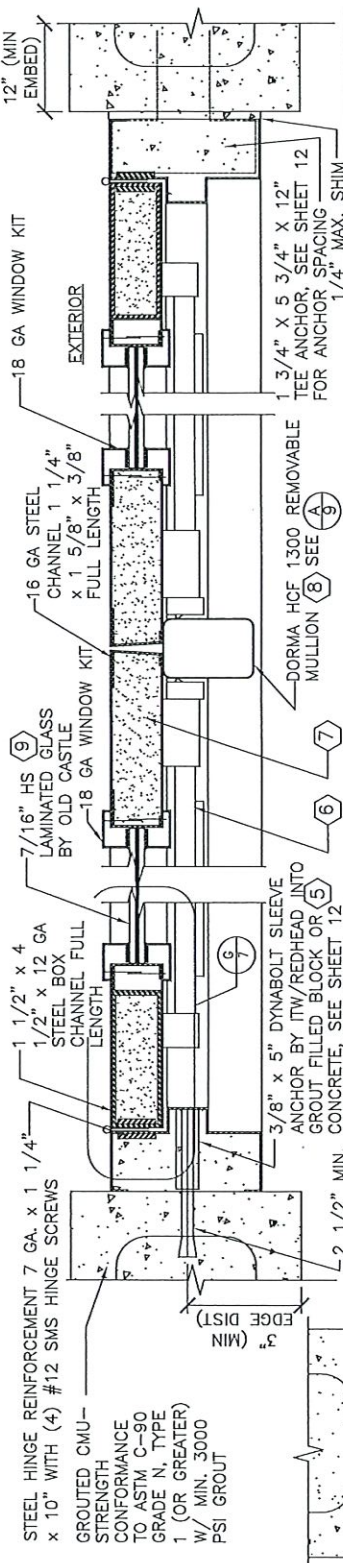
DESIGN PRESSURE RATING	DORMA HCF9400 VERTICAL ROD EXIT DEVICE	DESIGN PRESSURE RATING	SINGLE DOOR WITH DORMA RIM EXIT 9300
WHERE AIR & WATER INFILTRATION REQUIREMENT IS NOT NEEDED	WHERE AIR & WATER INFILTRATION REQUIREMENT IS NOT NEEDED	WHERE AIR & WATER INFILTRATION REQUIREMENT IS NOT NEEDED	WHERE AIR & WATER INFILTRATION REQUIREMENT IS NOT NEEDED
POSITIVE +80 PSF	POSITIVE +80 PSF	POSITIVE +80 PSF	POSITIVE +80 PSF
NEGATIVE -65 PSF	NEGATIVE -80 PSF	NEGATIVE -80 PSF	NEGATIVE -80 PSF



**PRODUCT REVISED**  
as complying with the Florida  
Building Code **20-1123.18**  
NOA-No. **20-1123.18**  
Expiration Date **01/30/2024**  
By *Sherry J. Lebrun*  
Miami-Dade Product Control

6  
7

DRAWING NUMBER Q02 16 GA. OUTSWINGING GLAZED COMMERCIAL STEEL DOOR



**HORIZONTAL SECTION (SINGLE DOOR)**  
 3" = 1'-0"

STEEL HINGE REINFORCEMENT 7 GA. x 1 1/4" x 10" WITH (4) #12 SMS HINGE SCREWS  
 MAX 3/8" SHIM SPACE

EXTERIOR

1 1/2" x 4 1/2" x 12 GA STEEL BOX CHANNEL FULL LENGTH

7/16" HS LAMINATED GLASS BY OLD CASTLE

18 GA WINDOW KIT

16 GA STEEL CHANNEL 1 1/4" x 1 5/8" x 3/8" FULL LENGTH

WOOD (2) 2x6's SG=0.153 MIN. EMBED.

16 GA. FRAME 2 1/2" MIN.

3/8" x 5 1/2" LAG SCREW 1/2" MAX. SHIM

NOTE: 1x AND 2x WOOD BUCKS MUST BE ANCHORED PROPERLY TO TRANSFER LOADS TO THE STRUCTURE.

SILICON SEALANT

3/8" DIA. TAPCON W/ 1-1/4" MIN. EMBED. SEE SHEET 12 FOR ANCHOR SPACING.

MEMBER TO COMPLY W/ AISC 360. MINIMUM STRUCTURE TO BE REVIEWED BY BUILDING OFFICIAL

STRUCTURAL STEEL W/ MIN. 16 GA. THICK WEB. ALL KSI F<sub>y</sub>=42 KSI ADEQUACY OF METAL STRUCTURE TO BE REVIEWED BY BUILDING OFFICIAL

3/8" DIA. TAPCON W/ 1-1/4" MIN. EMBED. SEE SHEET 12 FOR ANCHOR SPACING.

MEMBER TO COMPLY W/ AISC 360. MINIMUM STRUCTURE TO BE REVIEWED BY BUILDING OFFICIAL

ALL VOIDS FILLED W/ EPS OR URETHANE

16 GA. STEEL FLAT STOCK SPOT WELDED TO FACE SKINS

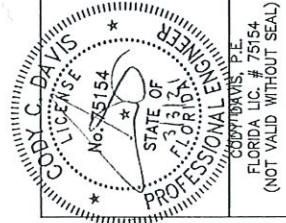
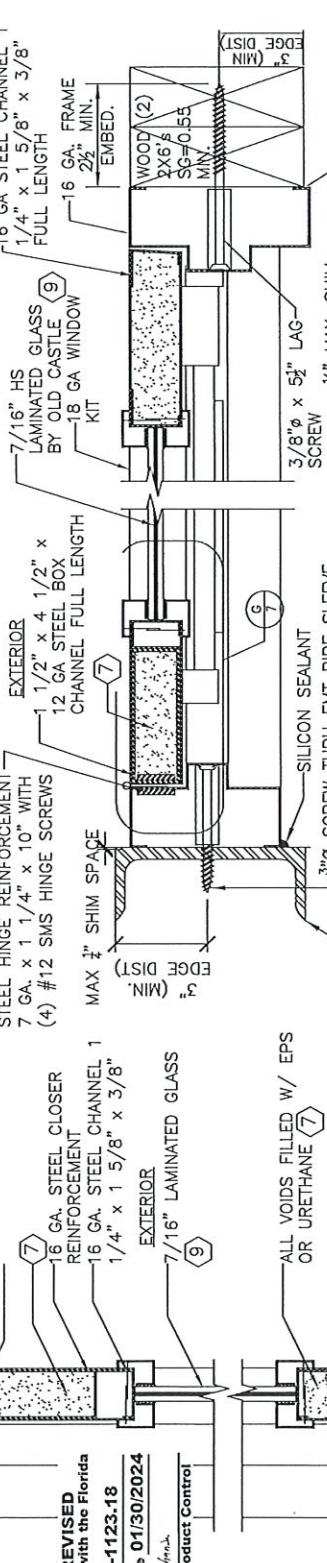
PEMCO #2005 AVINYL GASKET

16 GA. STEEL BOTTOM CHANNEL SPOT WELD 4" O.C.

3000 PSI CONC.

3/16" DIA. TAPCON W/ 1-1/4" MIN. EMBED. SEE ELEV. FOR SPACING.

**K (VERTICAL SECTION)**  
 3" = 1'-0"



**M (HORIZONTAL SECTION (SINGLE DOOR))**  
 3" = 1'-0"

**GLAZED STEEL DOOR WITH "DORMA" RIM EXIT DEVICE & REMOVABLE MULLION**

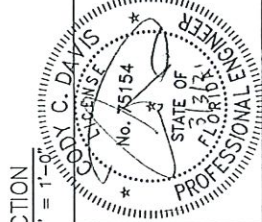
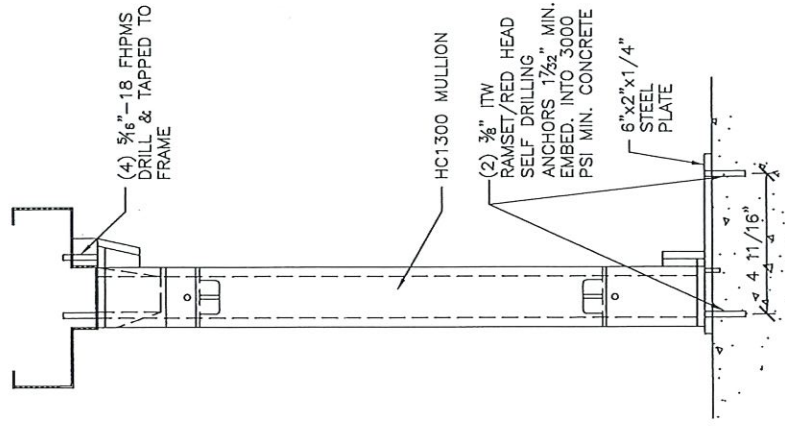
**PRODUCT REVISED**  
 as complying with the Florida Building Code  
 NOA-No. 20-1123.18  
 Expiration Date 01/30/2024  
 By: [Signature] L. Frank  
 Miami-Dade Product Control

DESIGN PRESSURE RATING  
 DORMA RIM EXIT WITH DORMA 1300 REMOVABLE MULLION  
 WHERE AIR & WATER INFILTRATION REQUIREMENT IS NOT NEEDED  
 WHERE AIR & WATER INFILTRATION REQUIREMENT IS NOT NEEDED

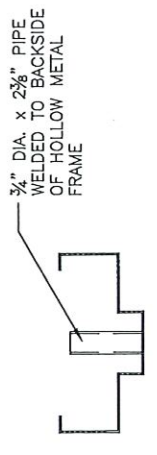
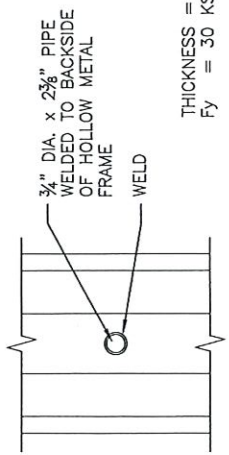
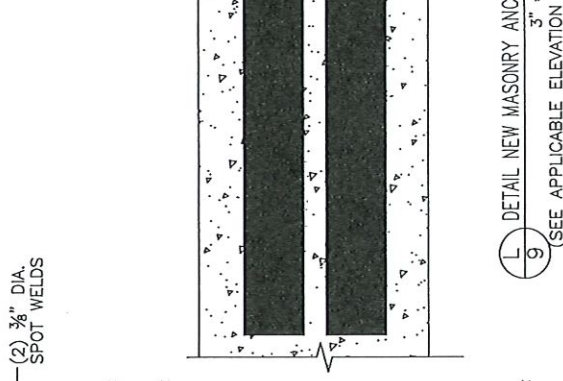
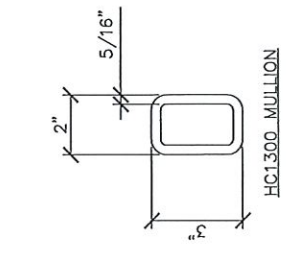
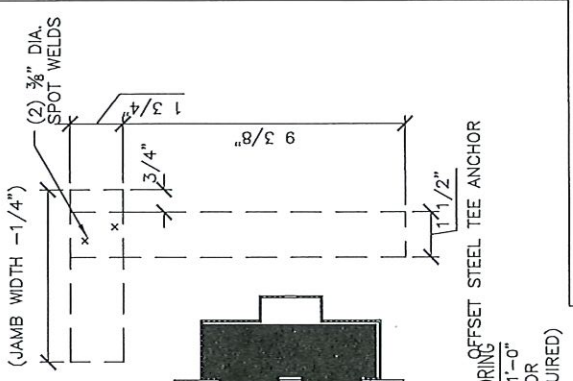
POSITIVE	+80 PSF
NEGATIVE	-65 PSF

<b>QUALITY ENGINEERED PRODUCTS</b> COMPANY, INC 4506 QUALITY LANE TAMPA, FLORIDA 33634 (813) 885-1693	REVISIONS 1 6-28-2000 2 2-23-2005 3 7-8-2008 4 04-26-2019 5 02-15-2021 (FBC 2020)	HURRICANE TEST APPROVAL Q02 SHEET 9 OF 13 DATE 02-15-21
---	--	--

DRAWING NUMBER Q02 16 GA. OUTSWINGING GLAZED COMMERCIAL STEEL DOOR



**DORMA HC-1300  
REMOVABLE MULLION**

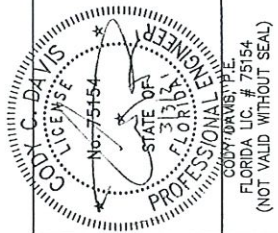
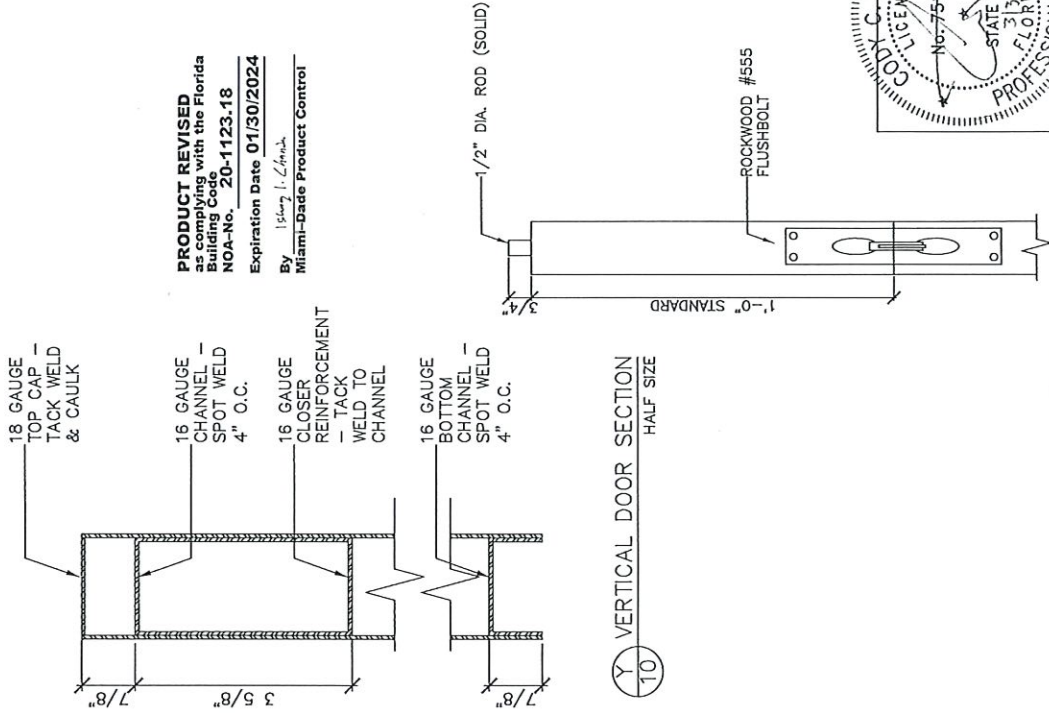


(M) PIPE SLEEVE DETAIL  
3" = 1'-0"

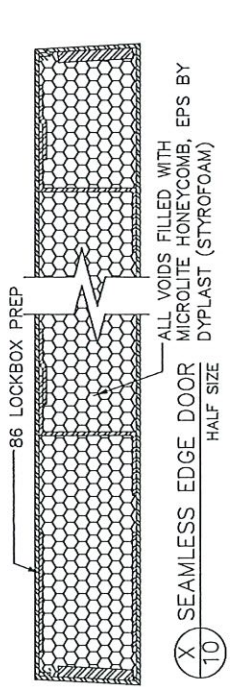
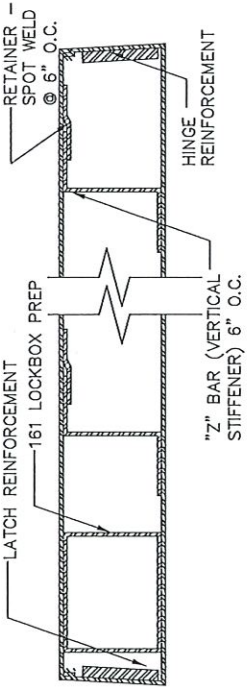
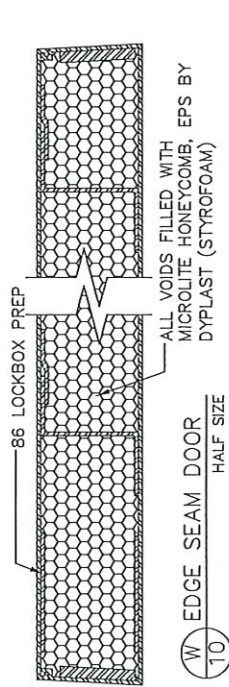
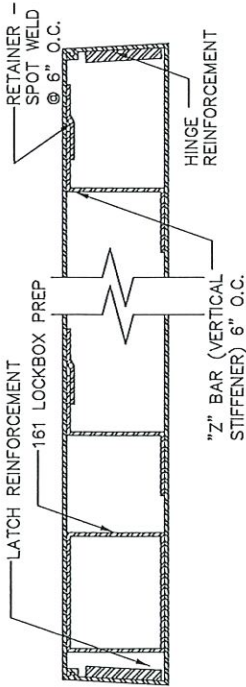
(T) ANCHOR DETAILS  
3" = 1'-0"

**PRODUCT REVISED**  
 as complying with the Florida  
 Building Code  
 NOA-No. 20-1123.18  
 Expiration Date 01/30/2024  
 By *Sergio L. Lopez*  
 Miami-Dade Product Control

16 GA. OUTSWINGING GLAZED COMMERCIAL STEEL DOOR DRAWING NUMBER Q02



3" = 1'-0"  
Z DETAIL



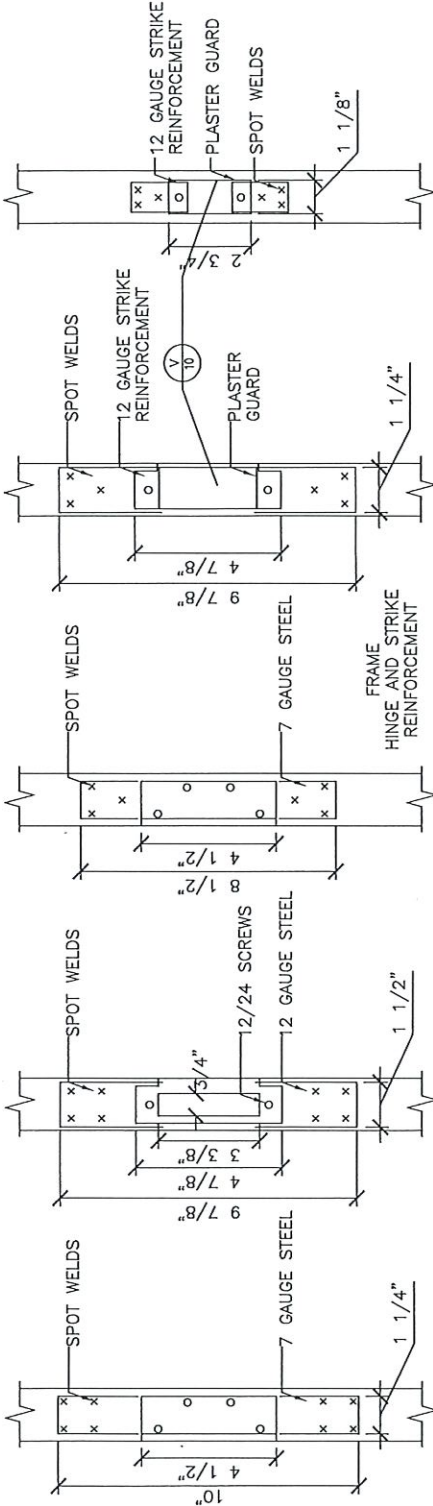
W HALF SIZE

X HALF SIZE

Y VERTICAL DOOR SECTION HALF SIZE

DOOR PANEL CONSTRUCTION DETAILS

DRAWING NUMBER Q02 16 GA. OUTSWINGING GLAZED COMMERCIAL STEEL DOOR



11 R DETAIL DEADBOLT REINFORCEMENT 3" = 1'-0"

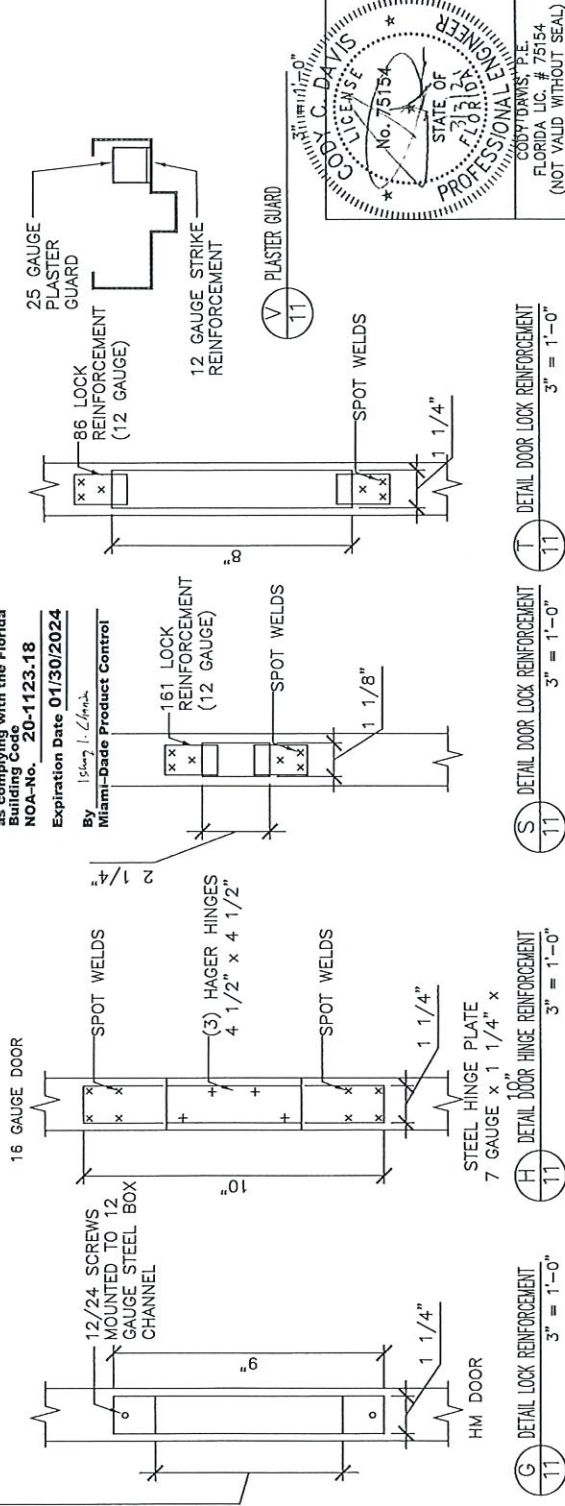
11 P DETAIL 3" = 1'-0"

11 N DETAIL 3" = 1'-0"

11 F DETAIL STRIKE REINFORCEMENT 3" = 1'-0"

11 E DETAIL HINGE REINFORCEMENT 3" = 1'-0"

DOOR & FRAME REINFORCEMENTS



CUT 12 GAUGE STEEL BOX CHANNEL 6 1/4" TO INSTALL MORTISE LOCK

11 G DETAIL LOCK REINFORCEMENT 3" = 1'-0"

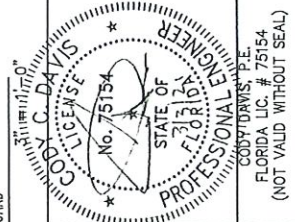
11 H DETAIL DOOR HINGE REINFORCEMENT 3" = 1'-0"

11 S DETAIL DOOR LOCK REINFORCEMENT 3" = 1'-0"

11 T DETAIL DOOR LOCK REINFORCEMENT 3" = 1'-0"

11 V DETAIL DOOR LOCK REINFORCEMENT 3" = 1'-0"

**PRODUCT REVISED**  
as complying with the Florida  
Building Code  
NOA-No. 20-1123-18  
Expiration Date 01/30/2024  
By *Istvan I. Linn*  
Miami-Dade Product Control



ISTVAN I. LINN  
PROFESSIONAL ENGINEER  
No. 75154  
STATE OF FLORIDA  
FLORIDA LIC. # 75154  
GOVERNORS, P.E.  
(NOT VALID WITHOUT SEAL)



DRAWING NUMBER Q02 16 GA. OUTSWINGING GLAZED COMMERCIAL STEEL DOOR

7'-0" Height  
Anchor and Spacing Table

ANCHOR	SUBSTRATE	MAX SPACING		JAMB NUMBER OF ANCHORS	MAX. CORNER SPACING	HEAD NUMBER OF ANCHORS	MAX. CORNER SPACING
		JAMB	HEAD				
3/8" DYNABOLT	CMU	24"	20"	4	8"	4	8"
1/2" ANCHOR	CMU	24"	-	4	8"	-	-
3/8" SCREW	STEEL	20"	20"	5	8"	4	10"
3/8" LAG	WOOD	10"	10"	9	3"	8	5"
3/8" DYNABOLT	CMU	24"	-	4	8"	2	8"
1/2" ANCHOR	CMU	24"	-	4	8"	-	-
3/8" SCREW	STEEL	24"	24"	4	9"	2	12"
3/8" LAG	WOOD	16"	16"	6	6"	3	8"

7'-0" Height  
Anchor and Spacing Table

ANCHOR	SUBSTRATE	MAX SPACING		JAMB NUMBER OF ANCHORS	MAX. CORNER SPACING	HEAD NUMBER OF ANCHORS	MAX. CORNER SPACING
		JAMB	HEAD				
3/8" DYNABOLT	CMU	24"	22"	4	8"	5	10"
1/2" ANCHOR	CMU	24"	-	4	8"	-	-
3/8" SCREW	STEEL	20"	20"	5	10"	5	10"
3/8" LAG	WOOD	10"	10"	9	5"	10	5"
3/8" DYNABOLT	CMU	24"	-	4	8"	2	10"
1/2" ANCHOR	CMU	24"	-	4	8"	-	-
3/8" SCREW	STEEL	24"	24"	4	12"	3	12"
3/8" LAG	WOOD	20"	20"	5	10"	3	10"

8'-0" Height  
Anchor and Spacing Table

ANCHOR	SUBSTRATE	MAX SPACING		JAMB NUMBER OF ANCHORS	MAX. CORNER SPACING
		JAMB	HEAD		
3/8" DYNABOLT	CMU	20"	20"	5	8"
1/2" ANCHOR	CMU	24"	24"	5	8"
3/8" SCREW	STEEL	12"	12"	9	3"
3/8" LAG	WOOD	6"	6"	17	1" TOP, 3" BOTTOM
3/8" DYNABOLT	CMU	20"	20"	5	8"
1/2" ANCHOR	CMU	24"	24"	5	8"
3/8" SCREW	STEEL	20"	20"	8	8"
3/8" LAG	WOOD	12"	12"	9	3"

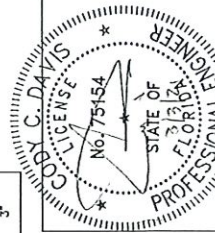
8'-0" Height  
Anchor and Spacing Table

ANCHOR	SUBSTRATE	MAX SPACING		JAMB NUMBER OF ANCHORS	MAX. CORNER SPACING
		JAMB	HEAD		
3/8" DYNABOLT	CMU	20"	20"	5	8"
1/2" ANCHOR	CMU	24"	24"	5	8"
3/8" SCREW	STEEL	20"	20"	5	10"
3/8" LAG	WOOD	10"	10"	10	5"

PRODUCT REVISED  
as complying with the Florida  
Building Code  
NOA-No. 20-1123.18

Expiration Date 01/30/2024

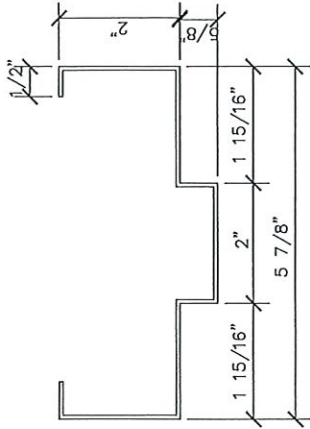
By Isang J. Lhoo  
Miami-Dade Product Control



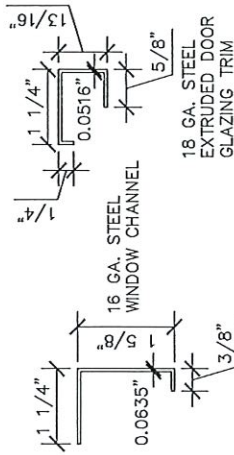
CODY DAVIS, P.E.  
FLORIDA LIC. # 75154  
(NOT VALID WITHOUT SEAL)

ANCHOR AND SPACING TABLES

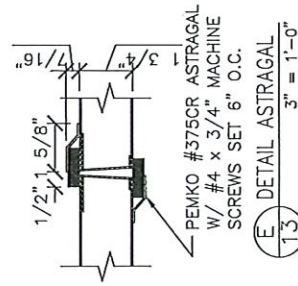
16 GA. OUTSWINGING GLAZED COMMERCIAL STEEL DOOR



E DETAIL 16 GA. FRAME PROFILE  
13 HALF SIZE

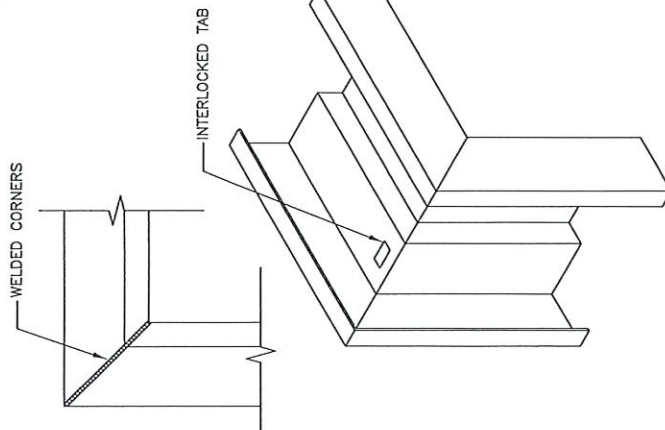


E DETAIL 18 GA. WINDOW KIT  
13 HALF SIZE

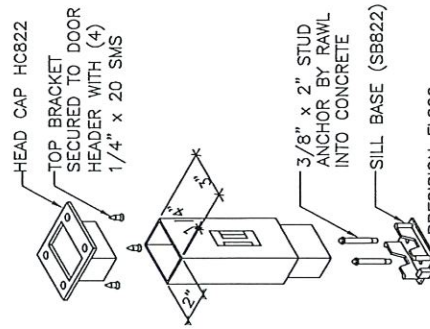


E DETAIL ASTRAGAL  
13 3" = 1'-0"

**PRODUCT REVISED**  
See analysis with the Florida  
Building Code  
NOA-No. 20-1123-18  
Expiration Date 01/30/2024  
By: *Henry I. French*  
Miami-Dade Product Control

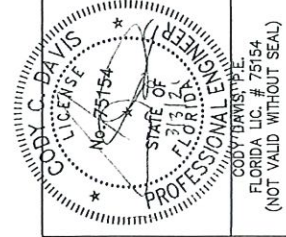


TYPICAL CORNER DETAIL  
13 3" = 1'-0"



Z DETAIL REMOVABLE MULLION  
13 1 1/2" = 1'-0"

COMMON DETAILS



CODY DAVIS, P.E.  
FLORIDA LIC. # 75154  
(NOT VALID WITHOUT SEAL)